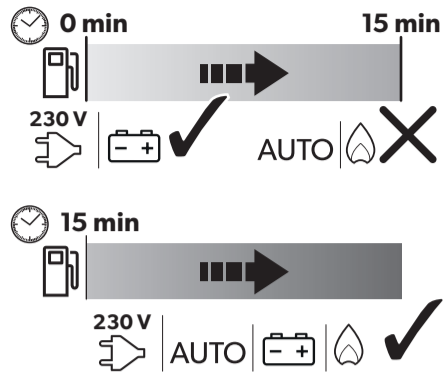
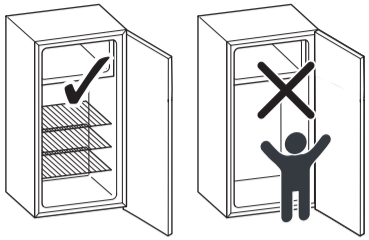


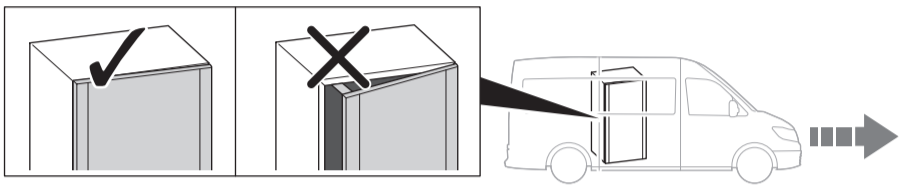
DOMETIC

**RML 10.4(T)(S)
RMD 10.5(X)(T)(S)
RMDT 10.5(X)T**

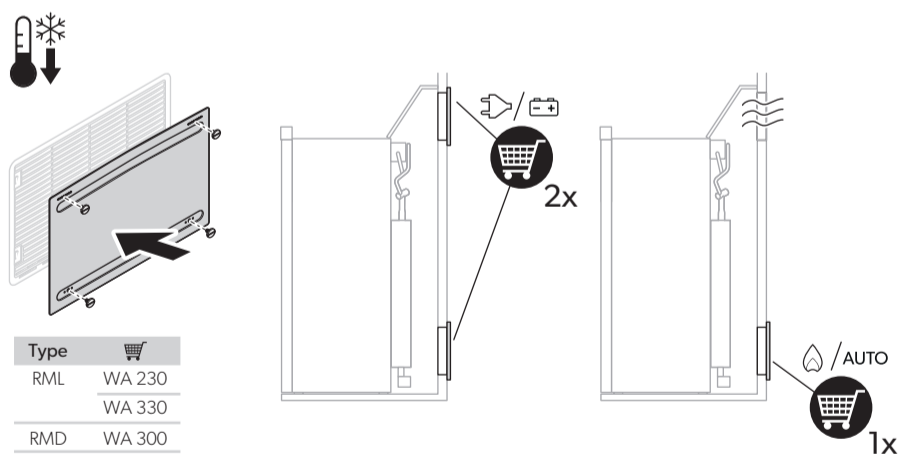
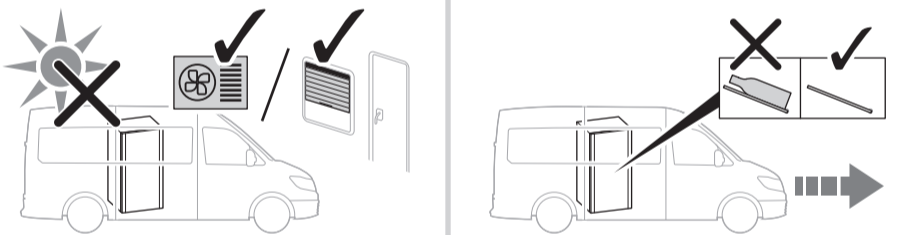
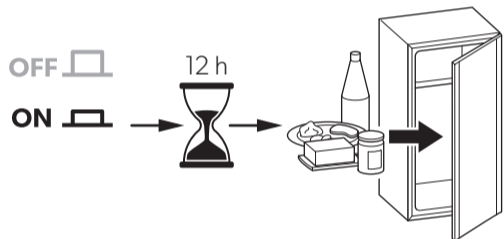
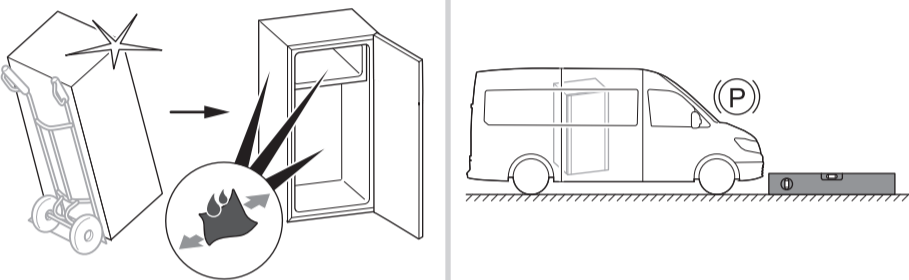
WARNING



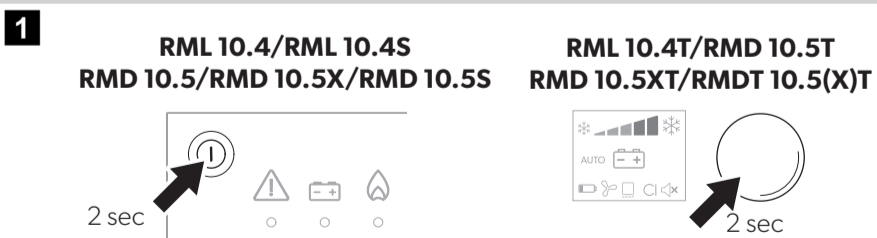
CAUTION



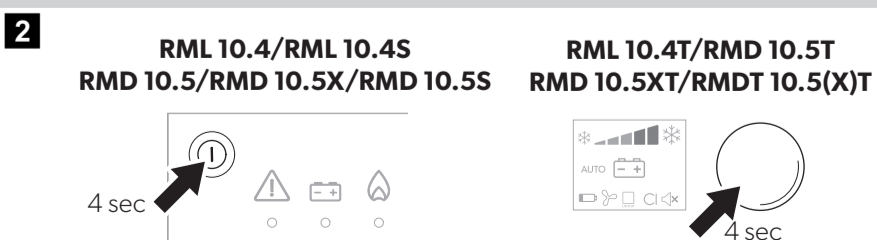
NOTICE



ON



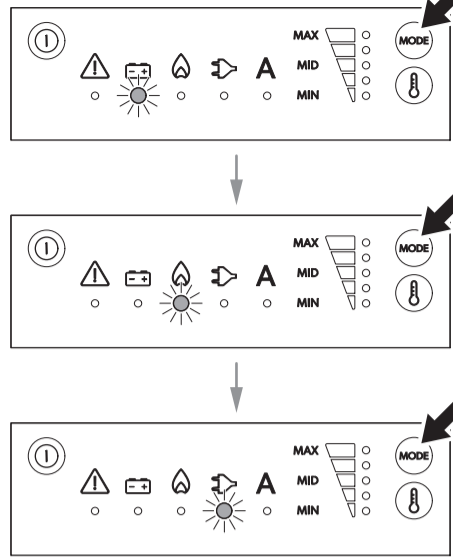
OFF



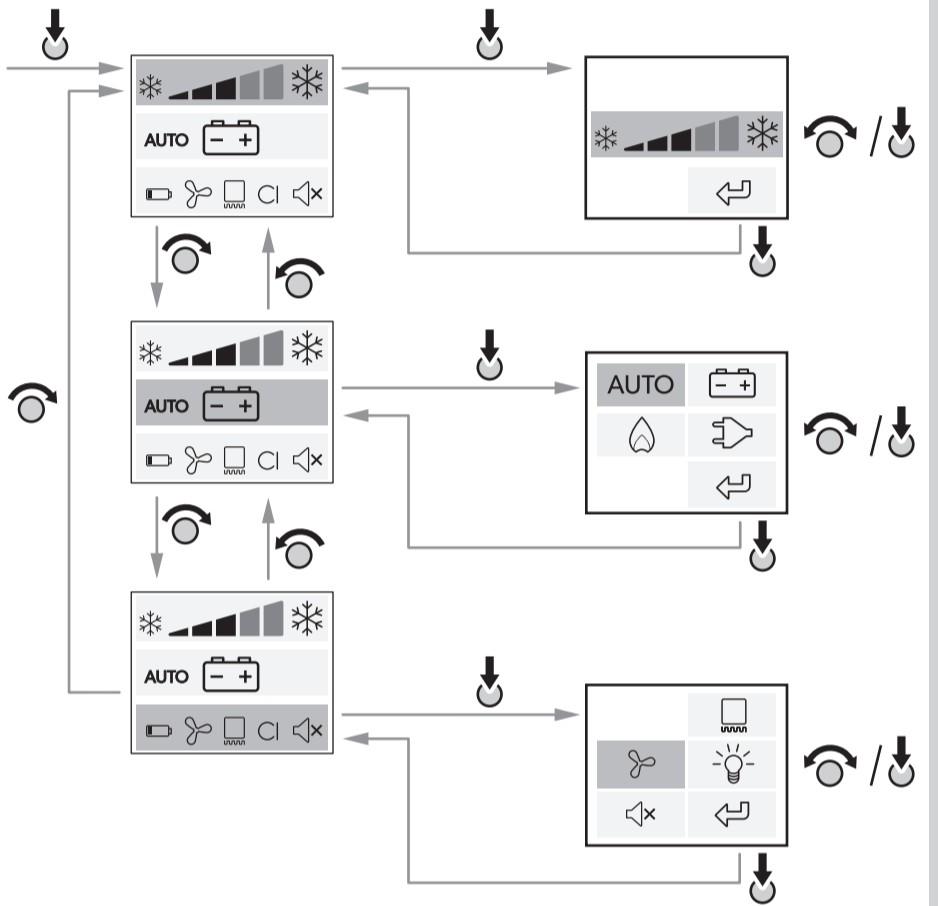
Operation

3

**RML 10.4/RML 10.4S
RMD 10.5/RMD 10.5X/RMD 10.5S**



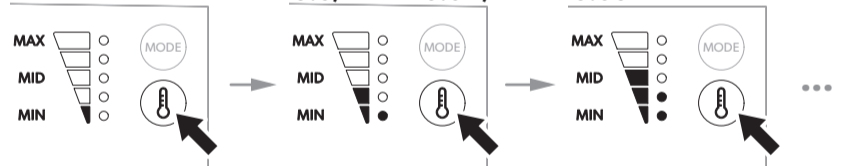
**RML 10.4T
RMD 10.5T/RMD 10.5XT/RMDT 10.5(X)T**



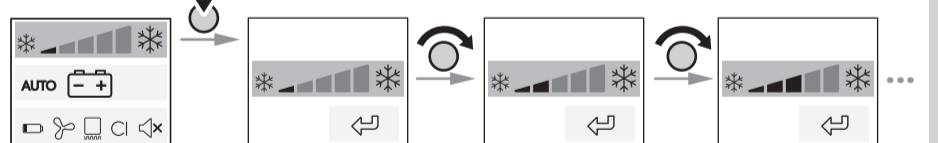
Cooling Capacity

4

**RML 10.4/RML 10.4S
RMD 10.5/RMD 10.5X/RMD 10.5S**

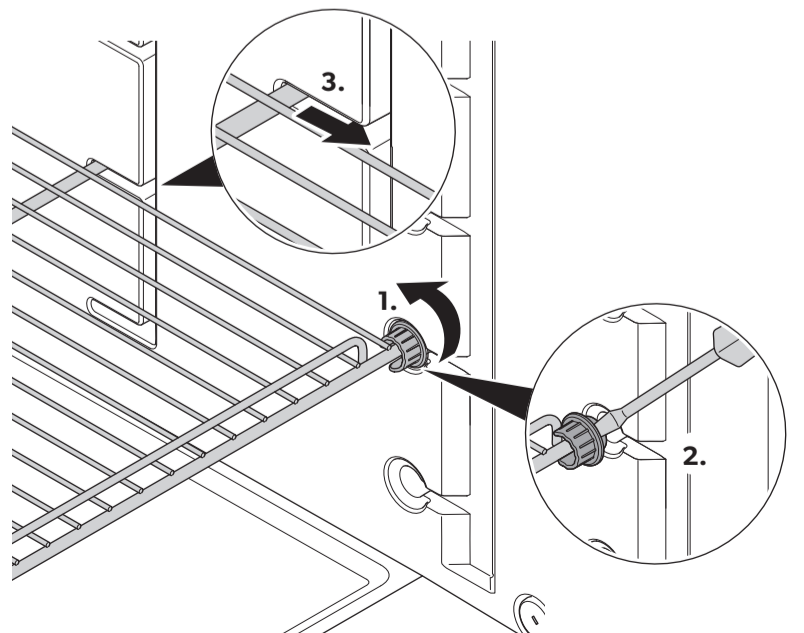


**RML 10.4T
RMD 10.5T/RMD 10.5XT/RMDT 10.5(X)T**

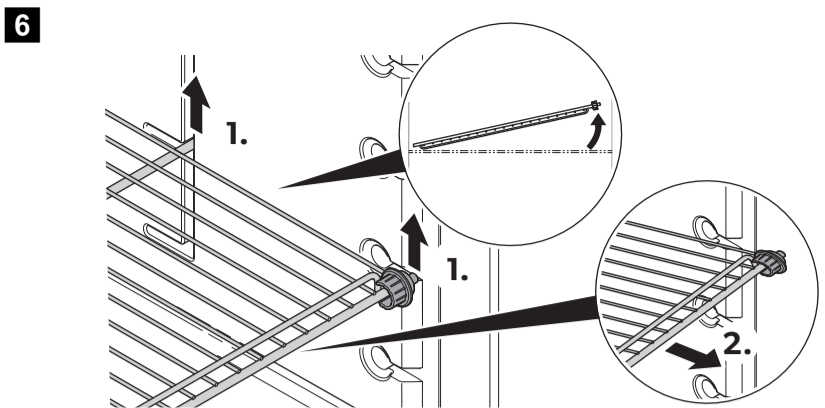


Shelves

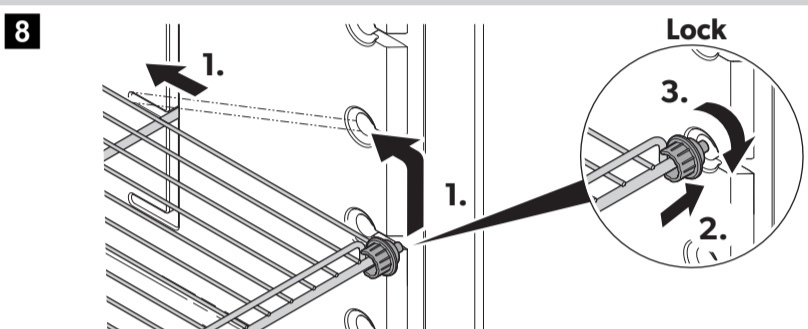
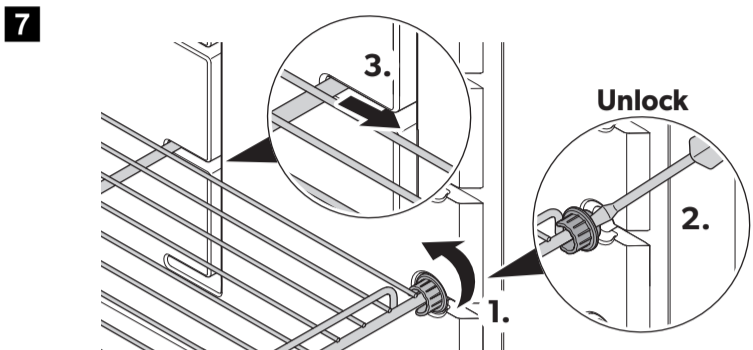
5



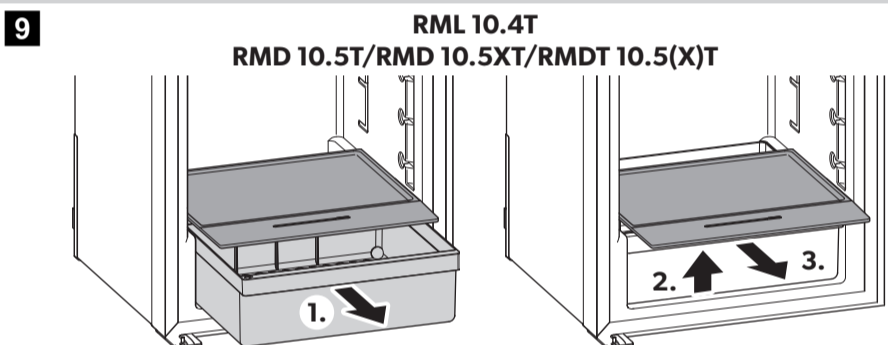
Shelves



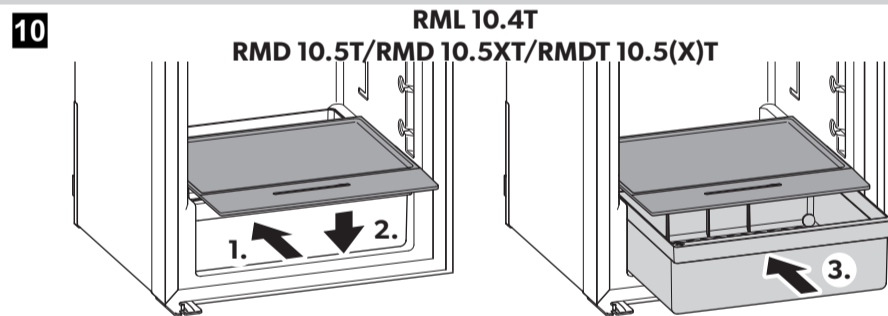
Shelf Angle



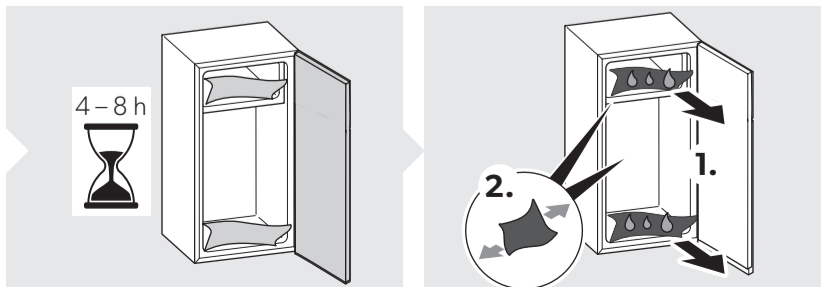
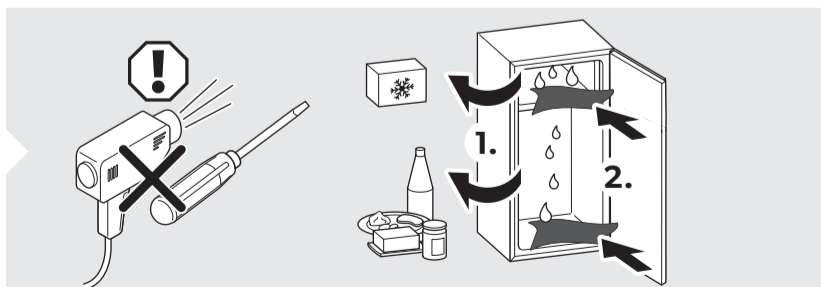
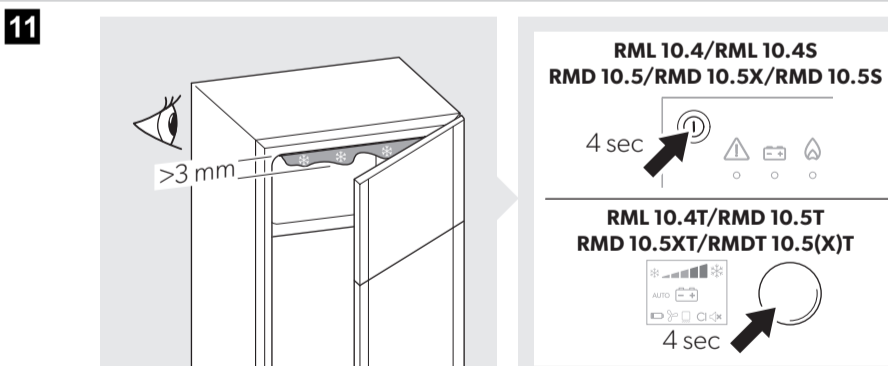
VG Fresh Base Out



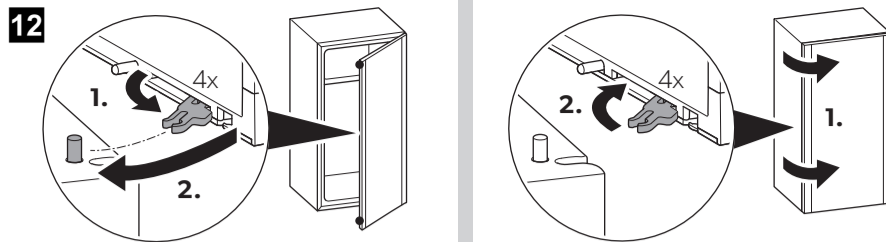
VG Fresh Base In



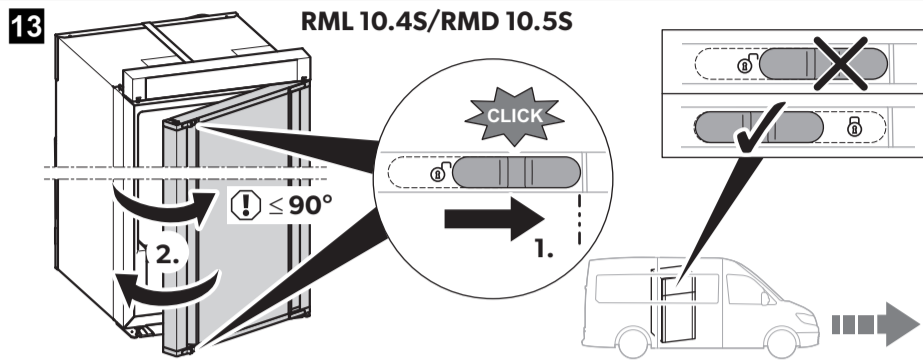
Defrost



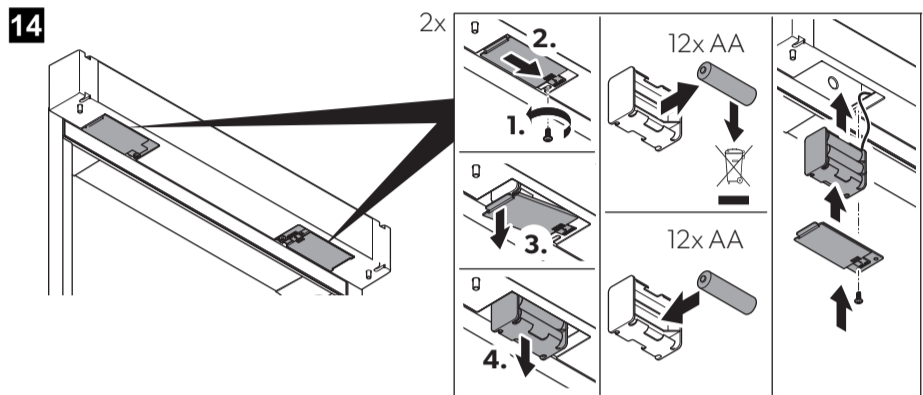
Winter



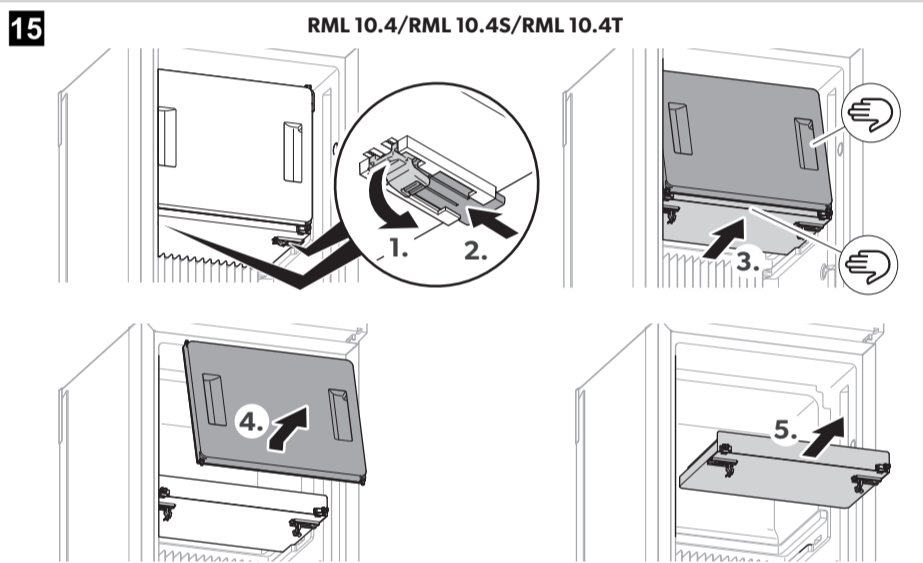
Releasing Door



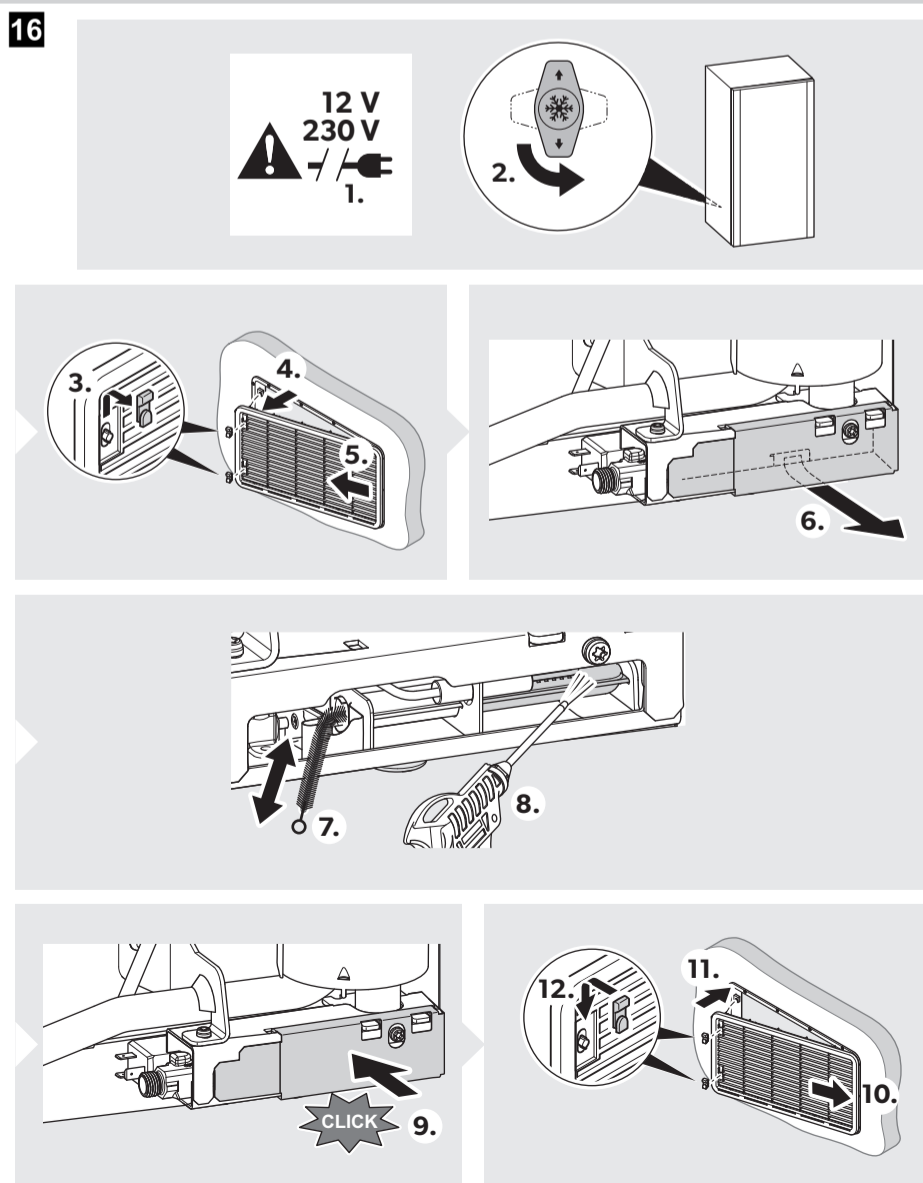
Batteries



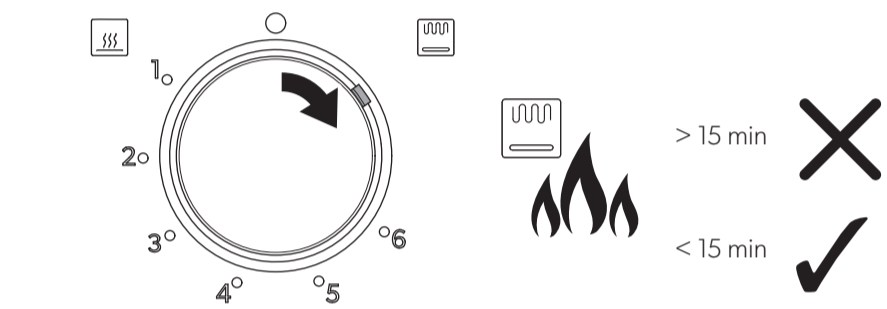
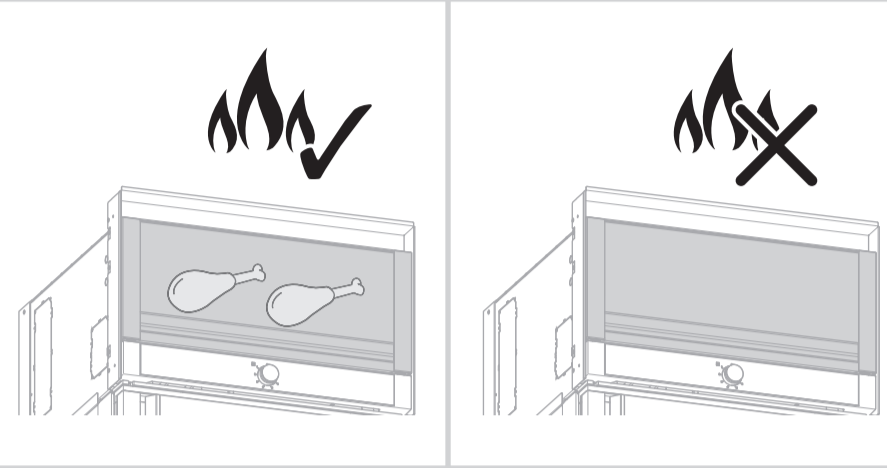
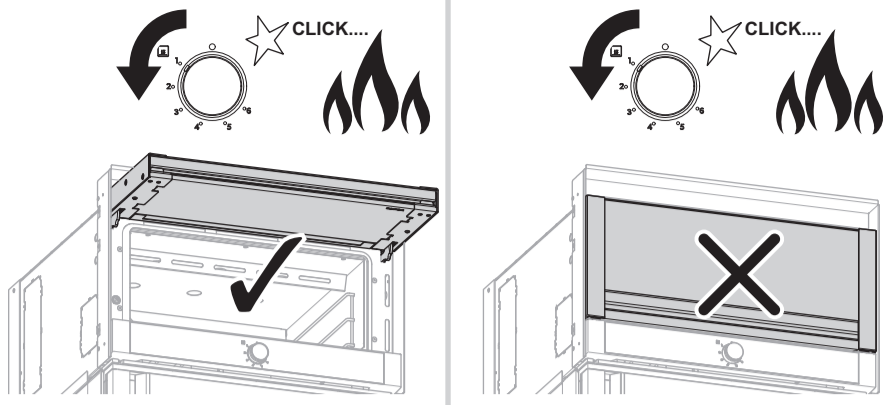
Removing Freezer



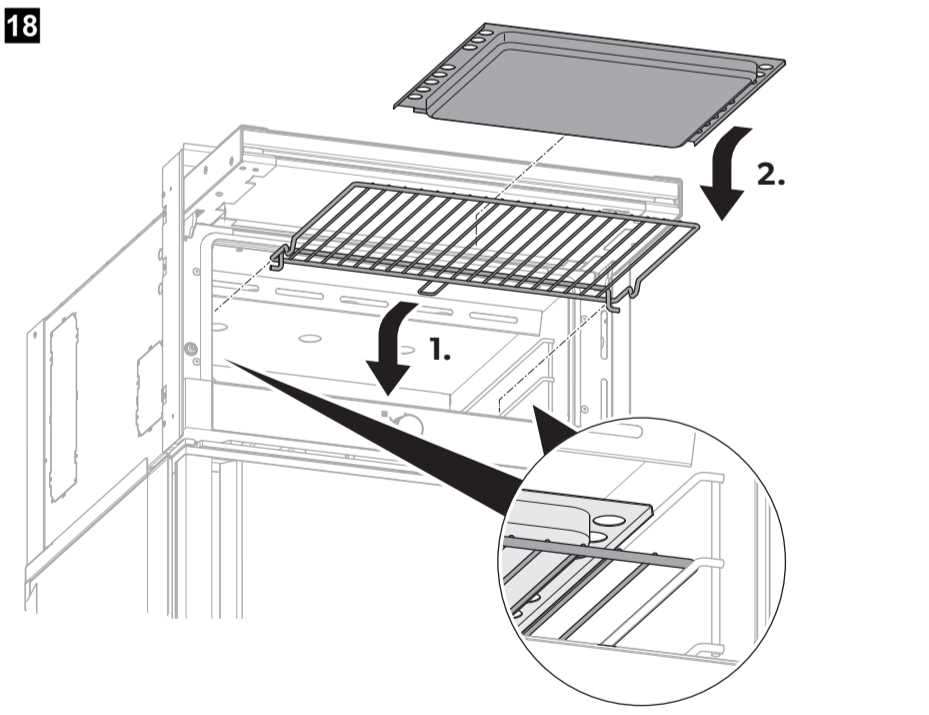
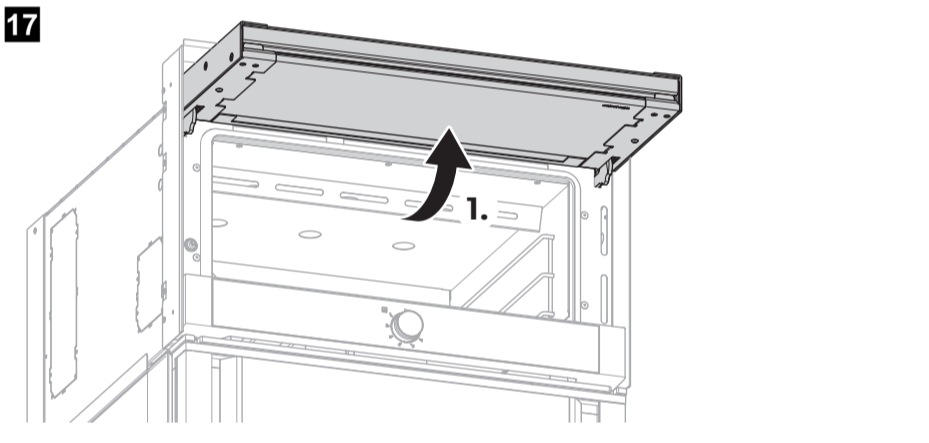
Cleaning Gas Burner



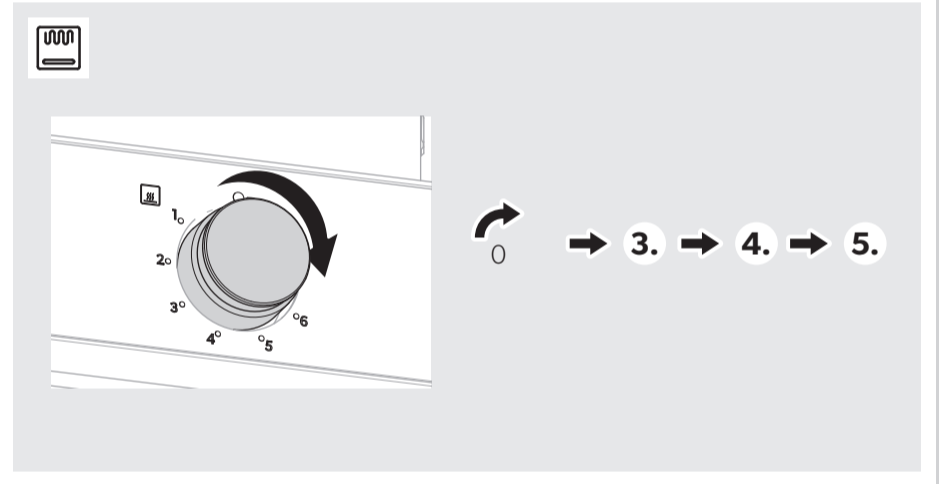
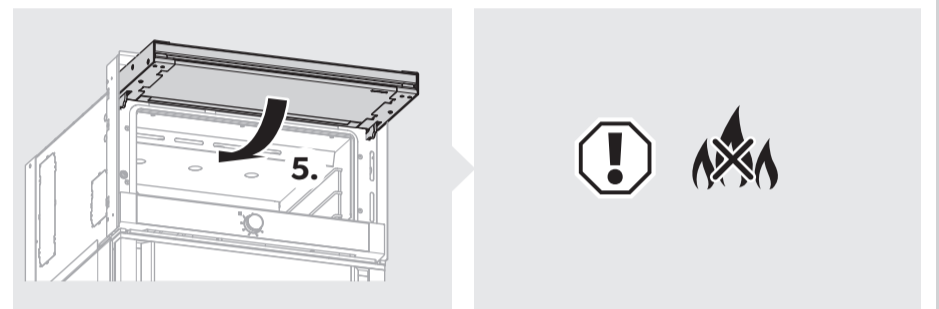
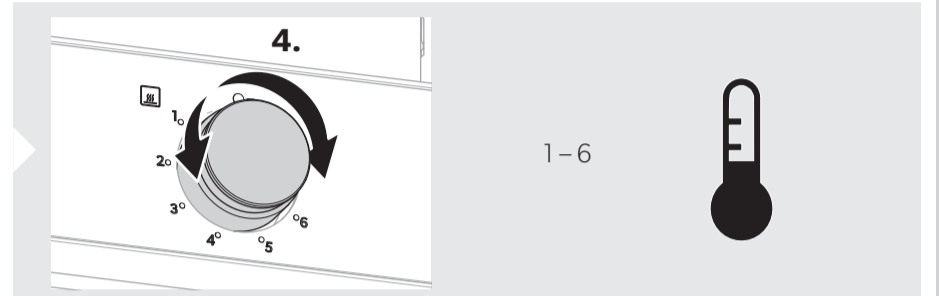
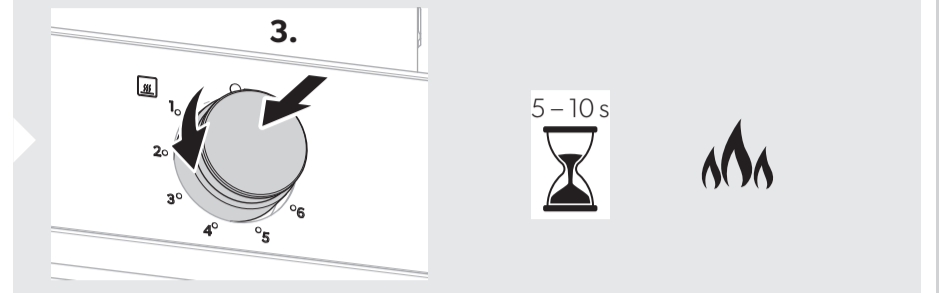
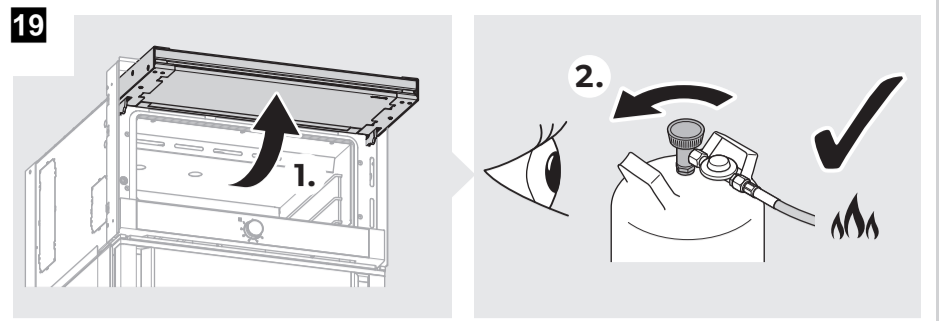
NOTICE



Oven Shelves



Oven/Grill ON



Oven Temperature

| Position | Temperature (°C) |
|----------|------------------|
| 1 | 130 ± 20 |
| 2 | 150 ± 20 |
| 3 | 170 ± 20 |
| 4 | 190 ± 20 |
| 5 | 210 ± 20 |
| 6 | 230 ± 20 |

Oven/Grill OFF

