

CADAC |  DOMETIC

## **2 COOK 3**

MODEL No: 203P1 & 203M1

28/37/50mbar



MODEL: 203P1



MODEL: 203M1



UK  
CA

# USER INSTRUCTIONS

EN DE DK ES FR IT NL NO PL SE SI FI TR

## Explanation of Symbols



Recycling packaging material. Place the packaging material in the appropriate recycling waste bins wherever possible.

**CAUTION**

Provide ample ventilation. This gas appliance consumes air (oxygen). Do not use this appliance in an unventilated space to avoid endangering your life. If still more gas appliances and/or occupants using gas are added to the space, additional ventilation must be provided.

**IMPORTANT**

Read these instructions carefully so as to familiarise yourself with the appliance before fitting the appliance to a gas cylinder. Retain these instructions for future reference.

**1. Safety information**

These instructions are for your safety and to help you avoid risk of injury and/or damage. All warranties will become void if you do not follow these instructions.

- This appliance complies to BS EN 484.
- Gas appliances require ventilation for efficient performance and to ensure the safety of users and other persons in close proximity, do not use the appliance in an unventilated area. It is intended for outdoor use only.
- The room where this appliance is used should have a window or a door that can be opened or partially open during use. If there is no window or door available for room ventilation, extra ventilation must be installed for your safety.
- Ensure that the appliance is used in a well-ventilated area.
- **WARNING: ACCESSIBLE PARTS MAY BE VERY HOT. KEEP YOUNG CHILDREN AWAY.**
- Read these instructions carefully before using the appliance.
- **FOR OUTDOOR USE ONLY!**

**Assembly and use**

- Do not use the appliance if it has damaged or worn seals.
- Do not use an appliance that is leaking, damaged or which does not operate properly.
- Handle the appliance with care, do not drop it.
- Always operate the appliance on a firm level surface.
- Ensure that the assembled product is stable and does not rock.
- This appliance is not suitable for installation or connection to a reticulated gas supply.
- This appliance must be kept away from flammable materials during use. Minimum safe distances are: Above the appliance 120cm. At the rear and sides 60cm. (fig 1a)
- When using a pot, the minimum recommended pot size is 180mm and maximum recommended size is 250mm.
- Do not use any cooking surface or pot that is larger than the recommended size. Our cooking surfaces have been specifically designed to allow gas combustion to escape and the closure of this space could affect the performance of this appliance.
- Do not modify this appliance, any modification may be dangerous. Do not use it for anything for which it has not been designed.
- Do not move the appliance during use.
- Never leave the appliance unattended when lit.
- During use, parts of the appliance will become hot (particularly the burner). Avoid touching hot parts with bare hands. The use of gloves is recommended.
- Ensure your pot stands/cooking surfaces are correctly placed when using your appliance.

**Hose**

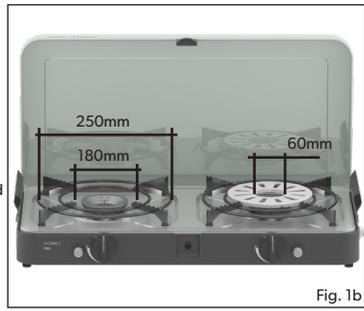
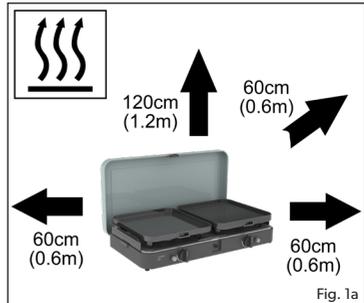
- The hose must be checked for wear or damage before every use and before connecting to the gas container.
- Do not use the appliance if it has a damaged or worn hose. Replace the hose.
- Do not twist or pinch the hose.
- The hose length should be no less than 0.8m and shall not exceed 1.2m. Replace when the hose is damaged or shows signs of brittleness or cracks.

**Gas Container**

- Gas is supplied to the unit via a hose and regulator. The hose and regulator can be connected to a gas cylinder or a Power Pak which is a unit that takes two or more gas cartridges.
- **IT COULD BE HAZARDOUS TO ATTEMPT TO FIT OTHER TYPES OF GAS CYLINDERS OR GAS CARTRIDGES (USED IN CONJUNCTION WITH THE POWER PAK).**
- This appliance must only be used with an approved hose and regulator.
- Only to be used with a gas cylinder that does not exceed 500mm in height (not including the regulator) and 400mm in width.
- Ensure that the gas container is fitted or changed in a well-ventilated location, preferably outdoors, away from any sources of ignition such as naked flames, pilots, electric fires and away from other people.
- Keep gas containers away from heat and flame. Do not place on a stove or any other hot surface.
- Refillable containers are to be used only in the upright position so as to ensure proper fuel withdrawal. Failure to adhere to this may cause liquid discharge from the gas container resulting in a dangerous operating conditions.
- Do not try to remove the gas container whilst the appliance is in operation.
- The gas container must be disconnected from the appliance after use or when in storage.

**Light back**

- In the event of light back (where the flame burns back and ignites inside the burner or venturi housing), immediately turn off the gas supply by firstly closing the control valve on the gas cylinder and then the appliance valve. After the flame is extinguished, remove the regulator and check the condition of the seal; replace the seal if in doubt. Re-light the appliance.
- Should the flame persistently light back, return the product to your authorized repair agent.



**Leaks**

- If there is a gas leak on your appliance (smell of gas), immediately turn off the gas supply by turning the control knob clockwise to the "OFF" position and take it into a flame free location where the gas leak may be detected and stopped. If you wish to check for gas leaks on your appliance, do it outside. Do not try to detect gas leaks using a flame; use soapy water.

**How to check the appliance is connected to the gas supply in a sound fashion**

- It is important that all gas connections have been correctly connected to prevent any gas leaks.
- The correct way is to smear the joint, i.e. where the gas container connects to the appliance, with soapy water. Turn the appliance control knob slightly anti-clockwise to turn the gas on. If bubbles form, then there is a gas leak. Immediately turn the gas off and disconnect the gas supply from the appliance. Check that all the connections are properly fitted. Check that the seal is in place and in good condition before connecting the gas supply. Re-check with soapy water after refitting the gas supply.
- If a gas leak persists, return the product to your local dealer for inspection/repair.

<b>Country of Use</b>	BE, CH, CY, CZ, ES, FR, GB, GR, IE, IT, LT, LU, LV, PT, SK & SI		PL	BE, CY, DK, EE, FR, FI, HU, IT, LT, NL, NO, SE, SI, SK, RO, HR, TR, BG, IS, LU, MT, & ZA	AT, CH, DE & SK
<b>Appliance Categories</b>	I <sub>3+(28-30/37)</sub>		I <sub>3B/P (37)</sub>	I <sub>3B/P (30)</sub>	I <sub>3B/P (50)</sub>
<b>Allowable gasses</b>	Butane-G30	Propane-G31	Butane-G30, Propane-G31 or their mixture		
<b>Gas Pressure</b>	28-30mbar	37mbar	37mbar	28-30mbar	50mbar
<b>Jet Number</b>	0.73		0.69	0.73	0.64
<b>Nominal Usage</b>	Butane - 160 g/h per burner (160g/h x 2 = 320g/h in total)		Butane - 160 g/h per burner (160g/h x 2 = 320g/h in total)	Butane - 160g/h per burner (160g/h x 2 = 320g/h in total)	Butane - 160g/h per burner (160g/h x 2 = 320g/h in total)
<b>Gross nom. heat input</b>	2.2kW per burner (2kW x 2 = 4.4kW in total)		2.2kW per burner (2.2kW x 2 = 4.4kW in total)	2.2kW per burner (2.2kW x 2 = 4.4kW in total)	2.2kW per burner (2.2kW x 2 = 4.4kW in total)

**Country Name and Abbreviations**

AE = United Arab Emirates	AL = Albania	AT = Austria	BE = Belgium	CH = Switzerland
CZ = Czech Republic	DE = Germany	DK = Denmark	ES = Spain	FI = Finland
FR = France	GB = United Kingdom	GR = Greece	HR = Croatia	IT = Italy
JP = Japan	KR = Korea	NL = Netherlands	NO = Norway	PL = Poland
PT = Portugal	RO = Romania	RU = Russia	RS = Serbia	SI = Slovenia
SK = Slovakia	SE = Sweden	TR = Turkey	ZA = South Africa	

**I 3B/P (30), I 3+ (28-30/37) and I 3B/P (37), Appliance categories: (DK, FI, NO, NL, SE, AT, DE, BE, ES, FR, IE, IT, PT, GB, CH)**

Push an approved hose onto the valve tailpiece until it is properly seated. On the other end, attach a suitable low pressure regulator.

I3B/P(30) : 30mbar Butane configurations regulator or 30mbar Propane configurations regulator or 30mbar butane/propane mixture configuration regulator.

I3B/P(37) : 37mbar Butane configurations regulator or 37mbar Propane configurations regulator or 37mbar butane/propane mixture configuration regulator.

I3+(28-30/37) : 30mbar Butane configurations regulator or 37mbar Propane configurations regulator.

Again making sure that the hose is properly seated. The type of hose used shall comply with the relevant EN standard and locate requirement.

**I 3B/P (50) Appliance category: (AT, DE, CH, SK)**

I3B/P(50) : 50mbar Butane configurations regulator or 50mbar Propane configurations regulator or 50mbar butane/propane mixture configurations regulator.

Screw a hose with the correct threaded fittings on each end, onto the left hand 1/4" BSP thread of the valve. Attach a suitable 50mbar low-pressure regulator on the end of the hose. The hose assembly used must comply with DIN 4815 part 2 or equivalent.

## 2. Fitting and Changing the Gas Supply

### Connecting the gas supply

- Before connecting the appliance to a gas supply, ensure that the rubber seal on the regulator is in position and in good condition.
- Before connecting the hose and regulator to the appliance, check that the appliance control knob is in the "OFF" position.
- Carry out this check each time you fit the appliance to a gas cylinder.
- Blow out any dust from the gas supply opening to prevent possible blockage of the jet.
- Fit an approved hose and regulator to the appliance.
- Ensure that the gas supply (gas cylinder/gas cartridge) is fitted in a well-ventilated location away from any source of ignition, such as naked flames and away from other people.
- Do not twist or pinch the hose. Ensure that it is routed away from the stove body so as to prevent deterioration / damage to the hose caused by heat.
- Make sure that the gas cylinder is kept upright at all times, connect to the cylinder by screwing on hand tight until fully engaged.
- Ensure that a complete gas seal has been made (check for the smell of gas around the connection joint). Do not check for leaks with a naked flame. Use warm soapy water only, applied to the joints and connections of the appliance. Any leakage will show up as bubbles around the leakage area.
- If you cannot rectify the gas leak do not use the appliance. If you are in doubt, contact your nearest stockist.

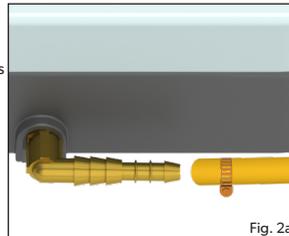


Fig. 2a

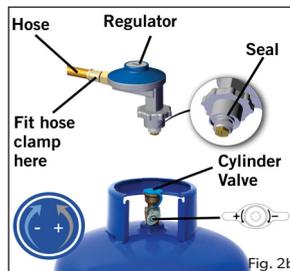


Fig. 2b

### Disconnecting and changing the gas supply

- After use, turn the appliance control knob to the "OFF" position and close the gas supply.
- When you need to replace your empty cylinder, make sure that the gas is closed at the cylinder valve.
- Do not smoke while changing the cylinder.
- Remove the regulator from the empty cylinder.
- Attach the regulator to the full cylinder, refer to the instructions above on how to connect the gas supply.
- Apply the same care and checking procedures as if fitting a new gas cylinder.

### How to check if your gas cylinder is empty

- The easiest way to check if you are low on gas is by picking up your gas cylinder.
- If you think your gas cylinder is feeling a little lighter than you'd like, weighing the bottle is a great way to see how much gas is left. Most cylinders will have the empty weight stamped on either the neck or foot ring, and if the weight indicated on the stamp and the weight of your cylinder are the same, you're out of gas. You can then approximate the amount of gas you have left by the difference in weight.

## 3. Operating the Appliance

- When operating this appliance, please take care to ensure that all parts are in good working order and that you have checked for any gas leaks before lighting the appliance with every use.
- Cooking surfaces can simply be placed and are ready to use. No assembly required.
- **PLEASE NOTE:** Please ensure all protective packaging and plastic are removed from the appliance before use.
- The appliance is designed for use with cooking vessels of not less than 180mm in diameter and not greater than 250mm in diameter.

### Precautions to observe before lighting.

- Use this appliance only on a firm level surface.
- After prolonged storage, inspect the appliance for any insects and webs, which may affect gas flow.

### Lighting the appliance using the piezo

- It is recommended to remove any cooking surfaces when trying to light the appliance. This way it will be easy to see the burner when it is lit.
- To light up the appliance using the piezo igniter, push and turn the control knob 90° in an anti-clockwise direction, then press the piezo button to ignite the gas (see Fig. 3). If the gas does not ignite on the first spark, turn the control knob back to its "OFF" position. Try again, by pushing and turning the control knob anti-clockwise and push the piezo button to ignite the gas. If the gas has not ignited in the first two to three seconds you should close the control valve by turning the control knob back to its "OFF" position.
- Wait approximately thirty seconds to let any accumulated gas within the burner escape. Repeat the above process if necessary until the flame ignites. The flame should normally light up within the first one to two seconds.

### Lighting up using a BBQ lighter

- When starting cold, the appliance may be lit from the top prior to fitting the desired cooking surface. When lighting up a hot appliance, it is recommended that this be done by sticking a barbecue lighter through one of the vent holes underneath the burner, until it is in line with the burner (DO NOT place the BBQ lighter through the large hole directly underneath the burner). Ignite the BBQ lighter. Whilst the BBQ lighter is lit, push and turn the control knob anti-clockwise to light the burner.



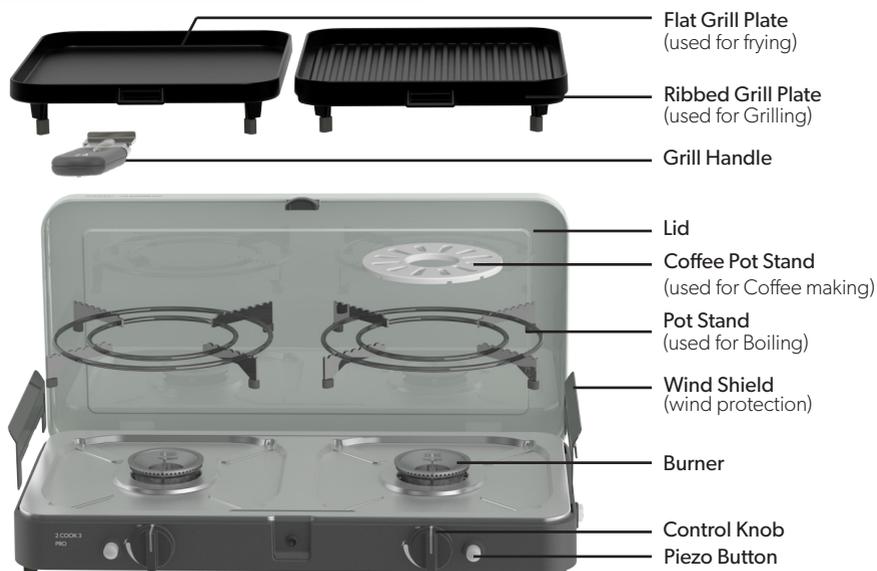
Fig. 3

**General**

- Once the appliance is lit, the flame intensity may be adjusted by turning the control knob anti-clockwise to reduce the flame or clockwise to increase the flame.
- When cooking food with a high fat content, flaring may occur if the selected heat setting is too high. Should this happen, turn the heat down until the flaring ceases.
- Do not move the appliance when in use. It is unsafe practice to move the appliance whilst lit and may cause flaring.
- After use, first close the control valve on the gas cylinder (where applicable). When the flame has extinguished, close the control valve on the appliance.

## 4. Component List

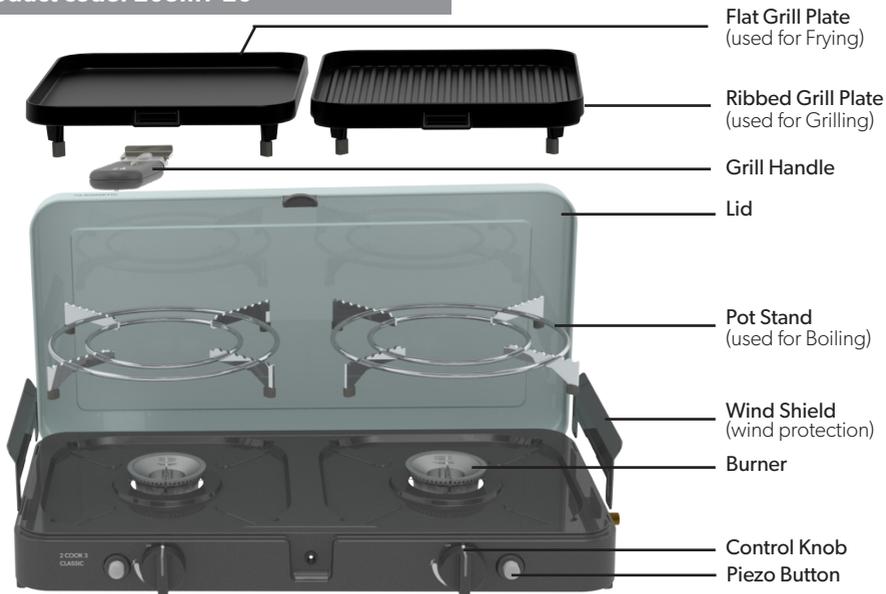
Product code: 203P1-20



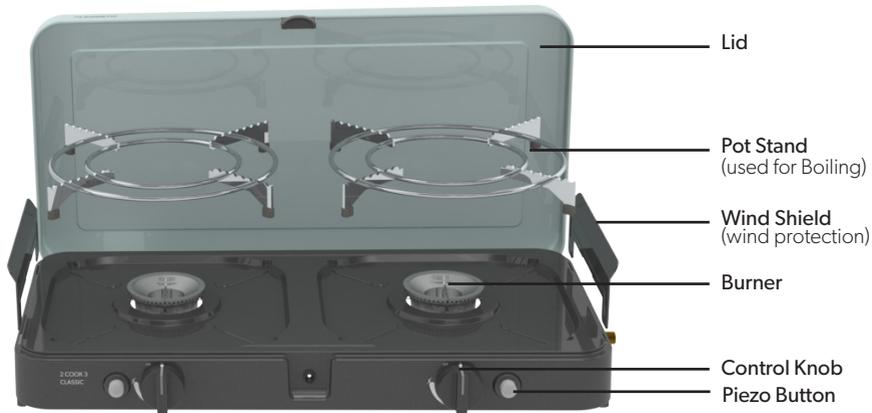
Product code: 203P1-10



**Product code: 203M1-20**



**Product code: 203M1-10**



The following surfaces are not included and are sold separately. Check availability with your local stockist.



Soft Soak 2 Cook



Paella Pan 30  
(used for Paella/Frying)



Coffee Pot Stand  
(Standard with  
203P1-20 model)



Ribbed Grill  
(with handle)



Flat Grill  
(with handle)

## 5. GreenGrill Cooking Options

### GreenGrill Cooking

Most of the cooking surfaces have our GreenGrill coating. This ceramic coating is completely PFOA-free; it contains no toxic substances, and guarantees healthier cooking!

#### PREPARATION & USE

- 'Seasoning': before using the cooking surface for the first time, you can season it to give the cooking surface a thin protective layer that prevents food from sticking. It is not required but we do recommend it. It's very easy: lightly rub cooking oil on the surface and then place over medium heat for 2 - 3 minutes. When it cools, wash the cooking surface with soapy water before use and grease it lightly with some oil (cooking oil of your choice, e.g. sunflower oil).  
It's ready to go!
- Note: GreenGrill coating conducts heat better than products with a regular (PTFE) non-stick coating. We therefore recommend using only 75% of the power of what you are used to.
- Never leave the cooking surface on the heat source without oil. Apply a thin layer of oil with a kitchen paper towel or a brush before placing the cooking surface on the heat source. Make sure you have oiled all parts, so with e.g. a BBQ grid include the raised edges as well.
- We recommend frying in sunflower oil or Rapeseed Oil because of the high burning point. Olive oil can have a relatively low burning point, which can cause the ingredients to stick to the pan or burn. We therefore do not recommend using olive oil.  
Tip: bring meat or fish to room temperature before frying. This will prevent sticking to the cooking surface.
- Always use silicone and/or wooden utensils so that the GreenGrill coating is not damaged. Never use metal utensils as this can damage the coating.

#### CLEANING

- Let the cooking surface cool down before cleaning. Extreme temperature changes can cause deformation of the cooking surface.
- The GreenGrill coating is 'Easy Clean'. Warm soapy water with a soft sponge is sufficient for cleaning the cooking surfaces with GreenGrill coating. Avoid scouring pads or steel wool.
- If the cooking surface has food particles remaining from a previous use they can adhere to the coating, which can lead to brown spots. In these places, ingredients can stick to the cooking surface because the coating is no longer reached. Make sure that these spots are properly removed before use.
- For stubborn stains or residues, you can try the 'vinegar method' for the paella pan or chef pan: pour a layer of vinegar into the pan and heat the pan slightly. The vinegar does not have to boil and should certainly not evaporate completely. Pour the vinegar out of the pan, clean the pan with soapy water and the pan is as good as new. Note: heating vinegar can give off an unpleasant smell.
- The CADAC | DOMETIC Soft Soak (sold separately) is the ideal companion product to facilitate overnight soaking. When using the Soft Soak, we recommend placing the cooking surface face down which allows for maximum soaking and also uses less water.
- Note that in the case of using the Soft Soak 2 Cook, you can soak both grids simultaneously. To do so place one grid cooking side up, and the other facing downwards as seen in the images.
- Any stubborn stains that remain after soaking, can be loosened and brushed away using the CADAC | DOMETIC Soft Soak Brush (sold separately)
- Dry with a soft cloth and you're done!

#### MAINTENANCE

- We recommend to add a little oil to the cooking surface after cleaning and spread it with kitchen paper. The oil seals the surface from the outside air and moisture. It also ensures that the food does not burn into the surface.
- Place the cooking surface in a plastic bag before you put it into its storage bag so you are ensured the storage bag remains clean and oil free.
- The storage bag prevents damage to the GreenGrill coating and your product.



### Cooking Options

- These are the available cooking options. (Use windshields in case of windy conditions)

**Grilling:** This cooking option is ideal for fat-free grilling of chicken, sausages, chops, kebabs, fish or vegetables. For this type of cooking, use the grill plate.

**Caution:** Please note that when cooking fatty meats some fat will splatter onto the unit which may cause flare-ups. Please use caution when handling such meats. The cooking temperatures are easily adjusted to suit your own requirements by turning the control knob to regulate the degree of heat.

**Frying:** This option is ideal for stir-fries, fish, breakfast, pancakes, prawns, paella and vegetables. For this type of cooking, use the flat grill. Please note that being a shallow pan, it is not suitable for deep-frying. The easy clean surface encourages the minimum use of fat for healthy cooking.

**Boiling:** For this type of cooking, place the pot stand in its locator grooves ensuring that it is properly seated. Place a suitable pot (not less than 180mm diameter and not more than 250mm diameter). One liter of water will boil in approximately 6 minutes depending on the conditions, size of pot used, etc. Use windshields in case of windy conditions

**Note:** When using small sized pots do not attempt to use pots with plastic handles as these can get extremely hot.

**Paella:** This cooking option is ideal for preparing paellas, risottos, pasta dishes, traditional breakfasts etc. The Paella Pan is made from a high quality pressed aluminium which allows for excellent heat distribution and retention.

**Coffee:** This option is ideal for brewing a hot cup of coffee. Ideal for anytime, anywhere.

## 6. Cleaning

- It is recommended to clean your appliance after every use. This will prolong the life of your appliance.
- Allow the appliance to cool down before you clean it.
- Use a damp cloth wrung out in a solution of soapy water to clean exterior surfaces.
- To clean the stove body, simply wipe with a damp cloth using a little detergent, if necessary.
- **DO NOT IMMERSE IN WATER** as this will allow water to get into the burner tube causing the appliance to malfunction.
- The grill plate is coated with a tough durable ceramic non-stick coating that has been used with great success on some of the best cookware in the world. Never the less, taking care of it can help you to enjoy extra years of healthy, easy, non-stick cooking.
- Whilst the ceramic non-stick coating is very durable, it can easily be damaged by the use of metal cooking utensils. It is therefore recommended that only plastic or wooden utensils be used when cooking.
- Always allow the grill/flat plate to cool before immersing it in water.
- Make sure that no water gets onto the burners or pilot/light area. Wipe the appliance completely dry before use.
- Do not use abrasive cleaners as they may damage the surfaces.
- Clean the appliance after each use. After cleaning recondition the cooking surface with a light wipe of oil.
- Do not use any high-pressure steam equipment or a water jet to clean the appliance.
- Note: For stubborn stains, CADAC oven cleaner may be used.

## 7. Storage

- Always allow the unit to cool down and be cleaned before storing.
- Turn off the gas supply to the appliance, disconnect and remove the gas supply from the appliance.
- Never store an appliance with the gas supply connected, this is an unsafe practice.
- Store the appliance and gas supply in a well-ventilated area away from combustible material. Storage of cylinders should preferably be outdoors and must NOT be in a basement.

## 8. Maintenance & troubleshooting

### Maintenance

- If you clean and maintain your appliance on a regular basis, the life of your appliance will extend and the possibility of problems will decrease.
- We recommend the service of your appliance to be every twelve (12) months by a service agent to ensure continued efficient operation.
- This appliance must only be serviced by an authorized person.
- Check your gas hose and connections regularly for any signs of leaks and every time the gas cylinder is re-filled or fitted to the appliance with every use.

### Troubleshooting

In the case of a spattering flame or jet blockage:

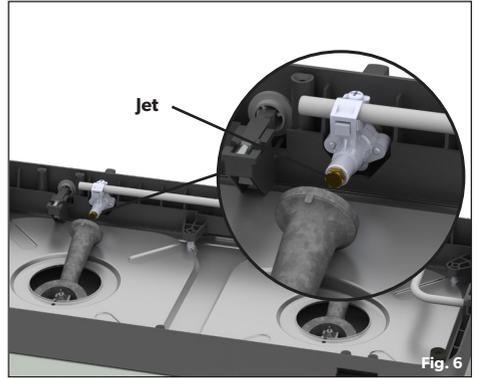
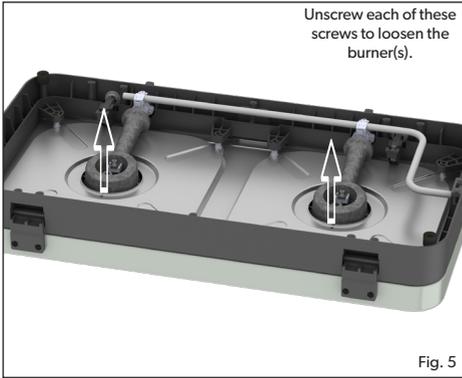
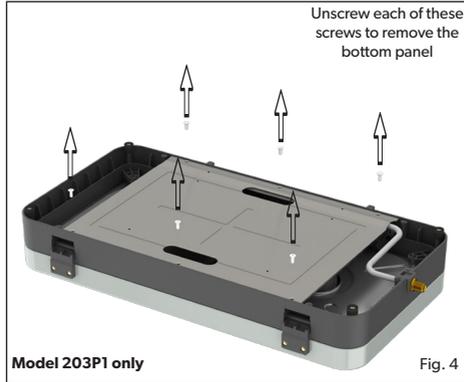
- Clean your burner ports in case of an over spill.
- We recommend to clean or replace the jets every six (6) months to ensure continued efficient operation of your appliance.
- Should the appliance operate abnormally after storage and all checks have not isolated the problem, the jet may be blocked. A blocked jet would be indicated by a weaker yellowish flame or no flame at all in extreme cases. Under these circumstances it will be necessary to remove and check and thoroughly clean out any foreign matter which may have gathered in the appliance.
- This may be done by removing the jet using standard tools and blow any dirt from the jet, alternatively, you may purchase new jets from your local store. Do not attempt to clean the jet mechanically.

### Replacing a Blocked Jet:

- Your appliance is fitted with a specific size jet to regulate the correct amount of gas.
- Should the hole in the jet become blocked, this may result in a small flame or no flame at all. Do not attempt to clean the jet with a pin or other such device as this may damage the orifice, which could make the appliance unsafe.
- **To replace the jet:** Remove any cooking surfaces, close the lid and turn the appliance upside down. Gently unscrew the bottom panel by removing the screws (Fig. 4)(Only for 203P1 models). Unscrew the screw for the affected burner(s) (Fig. 5), carefully loosen and drop the burner as illustrated, to expose the jet. Note that the burner is connected to the piezo cable, after replacing the jet and reassembling, check that this cable is still connected. The jet can now be seen on the valve, remove the jet using a suitable spanner (Fig. 6). Do not use pliers on the jet as this may damage the jet, making it unusable or impossible to remove. Screw the new jet into the valve. Do not over-tighten as this may damage the jet.
- Reverse the above procedure to re-assemble the unit.

### Replacing the Hose:

- The fitting of a hose is described in Section 2.



## 9. Spares and Accessories

- Always use genuine spares as they have been designed to give optimum performance.

Spares		Accessories	
Item	Spare No.	Item	Spare No.
	202-SP004		202-SP011
	202-SP012		202-SP020
	203P-SP001		203P-SP002
	203P-SP003		203P-SP005
	203P-SP008		203P-SP011
	203P-SP015		203P-SP018
	HM6-073 (Jet 0.73 28-30 mbar) HM6-069 (Jet 0.69 37mbar) HM6-064 (Jet 0.64 50mbar)		203P-SP012
	203P-SP023		
			203-100
			203-900
			8640
			203-200
			203-300
			98326

## 10. Warranty

**CADAC Europe BV** hereby warrants to the ORIGINAL PURCHASER of this appliance for 2 years, that it will be free of defects in material and workmanship from the date of purchase as follows:

Valves:	2 Years
Plastic parts:	No Warranty
Enamel parts:	2 Years
Die-casting:	1 Years
Burners:	1 Year

The warranty will only apply if the unit is assembled and operated in accordance with the printed instructions.

**CADAC Europe BV** may require reasonable proof of your date of purchase. THEREFORE, YOU SHOULD RETAIN YOUR SALES SLIP OR INVOICE.

This Limited Warranty shall be limited to the repair or replacement of parts that prove defective under normal use and service and which on examination shall indicate, to **CADAC Europe BV's** satisfaction, they are defective. Before returning any parts, contact the customer service representative in your region using the contact information provided with your manual. If **CADAC Europe BV** confirms the defect and approves the claim, **CADAC Europe BV** will elect to replace such parts without charge. **CADAC Europe BV** will return parts to the purchaser, freight or postage prepaid.

This Limited Warranty does not cover any failures or operating difficulties due to accident, abuse, misuse, alteration, misapplication, vandalism, improper installation or improper maintenance or service, or failure to perform normal and routine maintenance, including but not limited to damage caused by insects within the burner tubes, as set out in this owner's manual. Deterioration or damage due to severe weather conditions such as hail, hurricanes, earthquakes or tornadoes, discoloration due to exposure to chemicals either directly or in the atmosphere, is not cover by this Limited Warranty.

There are no other express warrants except as set forth herein and any applicable implied warranties of merchantability and fitness are limited in duration to the period of coverage of this express written Limited Warranty. Some regions do not allow limitation on how long an implied warranty lasts, so this limitation may not apply to you.

**CADAC Europe BV** is not liable for any special, indirect or consequential damages. Some regions do not allow the exclusion or limitation of incidental or consequential damages, to this limitation or exclusion may not apply to you.

**CADAC Europe BV** does not authorize any person or company to assume for it any obligation or liability in connection with the sale, installation, use, removal, return, or replacement of its equipment; and no such representations are binding on **CADAC Europe BV**.

This Warranty applies only to products sold at retail.

To enjoy and ensure longevity of your product, please refer to the cleaning and maintenance section of the user manual.

## Erklärung der Symbole



Verpackungsmaterial recyceln. Geben Sie das Verpackungsmaterial nach Möglichkeit in die entsprechenden Wertstofftonnen.

Es wird ausreichend Ventilation benötigt, denn dieses Gasgerät verbraucht Luft (Sauerstoff). Benutzen Sie das Gerät nur im Freien und sorgen Sie für ausreichend Frischluftzufuhr

**WICHTIG**

Lesen Sie diese Anweisungen bitte sorgfältig durch, damit Ihnen das Gerät vertraut ist, bevor Sie einen Gasbehälter an das Gerät anschließen. Heben Sie sich diese Anleitungen für späteres Nachlesen auf.

**1. Sicherheitshinweise**

Diese Anleitungen bestehen für Ihre Sicherheit und um Ihnen dabei zu helfen, Verletzungsgefahren und / oder Schäden zu vermeiden. Alle Garantien werden ungültig, wenn Sie diese Anleitungen nicht befolgen.

- Das Gerät entspricht BS EN 484:2019
- Gasgeräte benötigen eine Belüftung für eine effiziente Leistung und um die Sicherheit der Benutzer und anderer Personen in unmittelbarer Nähe zu gewährleisten. Verwenden Sie das Gerät nicht in einem unbelüfteten Bereich. Es ist nur für die Verwendung im Freien bestimmt.
- Der Raum, in dem dieses Gerät verwendet wird, sollte ein Fenster oder eine Tür haben, die während des Gebrauchs geöffnet oder teilweise geöffnet werden kann. Wenn kein Fenster oder keine Tür zur Raumbelüftung vorhanden ist, muss zu Ihrer Sicherheit eine zusätzliche Belüftung installiert werden.
- Achten Sie darauf, dass das Gerät an einem gut belüfteten Ort aufgestellt wird.
- **WARNUNG: ZUGÄNGLICHE TEILE KÖNNEN SEHR HEISS SEIN. HALTEN SIE KLEINE KINDER FERN.**
- Lesen Sie die Anleitungen, bevor Sie das Gerät benutzen.
- Nur im Freien benutzen!

**Montage und Verwendung**

- Verwenden Sie das Gerät nicht mit beschädigten oder verschlissenen Dichtungen.
- Benutzen Sie kein Gerät, das undicht oder beschädigt ist oder das nicht richtig funktioniert.
- Behandeln Sie das Gerät mit angemessener Sorgfalt; lassen Sie es nicht fallen.
- Betreiben Sie das Gerät immer auf einer festen, ebenen Fläche
- Achten Sie bitte darauf, dass das zusammengebaute Gerät fest steht und nicht wackelt.
- Dieses Gerät ist nicht für die Installation oder den Anschluss an eine Netzgasversorgung vorgesehen
- Achten Sie darauf, dass das Gerät von allen brennbaren Materialien entfernt benutzt wird. Die Mindest-Sicherheitsabstände betragen: über dem Gerät = 1,2m, hinten und an den Seiten = 0.6m (Abb. 1a).
- Die Mindestgröße für die Verwendung eines Topfes beträgt 180 mm und die Höchstgröße 250 mm.
- Verwenden Sie keine Kochfläche oder Topf, der größer als die empfohlene Größe ist. Unsere Kochflächen wurden speziell entwickelt, um das Entweichen von Verbrennungsgasen zu ermöglichen, und das Schließen dieses Raums könnte die Leistung dieses Geräts beeinträchtigen.
- Verändern Sie dieses Gerät nicht, jede Veränderung kann gefährlich sein. Verwenden Sie es nicht für etwas, wofür es nicht entwickelt wurde.
- Das Gerät während der Benutzung nicht bewegen.
- Lassen Sie das Gerät niemals unbeaufsichtigt, wenn es angezündet ist.
- Beim Betrieb werden Teile des Gerätes heiß (besonders der Brenner). Vermeiden Sie es, heiße Teile mit bloßen Händen zu berühren. Es wird empfohlen, Ofenhandschuhe zu benutzen.
- Stellen Sie sicher, dass alle Kochflächen/Topfständer richtig platziert sind, wenn Sie das Gerät verwenden.

**Schlauch**

- Der Schlauch und die Dichtung am Regler müssen vor jeder Benutzung und vor der Verbindung mit dem Gasbehälter auf Abnutzung oder Beschädigungen überprüft werden.
- Verwenden Sie das Gerät nicht, wenn der Schlauch beschädigt oder abgenutzt ist. Tauschen Sie den Schlauch aus.
- Den Schlauch nicht verdrehen oder einklemmen.
- Die Schlauchlänge sollte nicht kürzer als 0.8m und nicht länger als 1,2m sein. Tauschen Sie den Schlauch aus, wenn er beschädigt ist oder Anzeichen von Sprödigkeit und / oder Rissen vorweist.

**Gasbehälter**

- Das Gas wird dem Gerät über einen Schlauch und einen Regler zugeführt. Der Schlauch und der Regler können an eine Gasflasche oder an ein Power Pak angeschlossen werden, bei dem es sich um eine Einheit handelt, die zwei oder mehr Gaskartuschen enthält. Hinweis: Schlauch, Regler und Power Pak werden nicht mit dem Gerät geliefert.
- **ES KANN GEFÄHRLICH SEIN, ANDERE ARTEN VON GASFLASCHEN ODER GASPATRONEN EINZUBAUEN (VERWENDET IN VERBINDUNG MIT DEM POWER PAK).**
- Dieses Gerät darf nur mit einem zugelassenen Schlauch und Regler verwendet werden.
- Nur mit einer Gasflasche verwenden, die 500 mm hoch (ohne Regler) und 400 mm breit ist.
- Achten Sie darauf, dass der Gasbehälter an einem gut belüfteten Ort eingesetzt oder ausgetauscht wird - vorzugsweise im Freien und entfernt von Zündquellen wie offenen Flammen und nicht in der Nähe anderer Personen.
- Den Gasbehälter nicht in der Nähe von Hitze und Flammen aufstellen. Nicht auf einen Ofen oder irgendeine andere heiße Oberfläche stellen.
- Nachfüllbehälter sollten nur in aufrechter Position verwendet werden, um eine ordnungsgemäße Kraftstoffentnahme zu gewährleisten. Andernfalls kann Flüssigkeit aus dem Gastank austreten, was zu gefährlichen Betriebsbedingungen führen kann.
- Versuchen Sie nicht, den Gasbehälter zu entfernen, während das Gerät in Betrieb ist.
- Der Gasbehälter muss nach Gebrauch oder bei Lagerung vom Gerät getrennt werden.

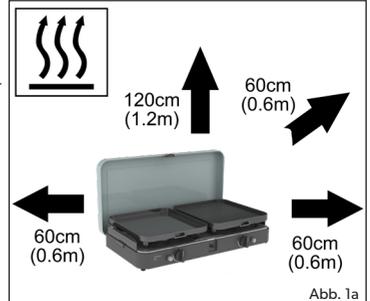


Abb. 1a

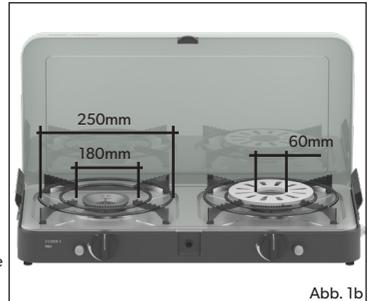


Abb. 1b

**Flammenrückschlag**

- Im Fall eines Rückschlags (wenn die Flamme zurückschlägt und sich an der Düse entzündet) stellen Sie sofort die Gaszufuhr ab, indem Sie zuerst das Reglerventil am Gasbehälter und danach das Geräteventil schließen. Nachdem die Flamme gelöscht worden ist, entfernen Sie den Regler und überprüfen den Zustand der Dichtung. Im Zweifelsfall tauschen Sie die Dichtung aus. Zünden Sie das Gerät erneut an. Sollte die Flamme anhaltend zurückschlagen, dann geben Sie das Gerät bitte an Ihren autorisierten Händler zurück.

**Undichtigkeiten**

- Wenn an Ihrem Gerät ein Gasleck auftritt (Gasgeruch), schalten Sie sofort die Gaszufuhr ab, indem Sie den Bedienknopf im Uhrzeigersinn auf die Position „OFF“ drehen, und bringen Sie es an einen flammenfreien Ort, an dem das Gasleck erkannt und gestoppt werden kann. Wenn Sie Ihr Gerät auf Gaslecks prüfen möchten, tun Sie dies im Freien. Versuchen Sie nicht, Gaslecks mit einer Flamme zu erkennen; verwenden Sie Seifenlauge.

**So prüfen Sie, ob das Gerät ordnungsgemäß an die Gasversorgung angeschlossen ist**

- Es ist wichtig, dass alle Gasanschlüsse korrekt verbunden sind, um Gaslecks zu vermeiden.
- Wenn Sie Ihr Gerät auf Lecks überprüfen möchten, dann tun Sie das bitte im Freien. Versuchen Sie niemals, ein Leck mit einer Flamme zu finden; benutzen Sie Seifenwasser. Richtig ist es, die Verbindungssteile mit Seifenwasser zu benetzen. Wenn sich Blasen bilden, haben Sie das Leck gefunden. Stellen Sie sofort die Gaszufuhr ab, indem Sie zuerst das Kontrollventil am Gasbehälter und dann das Geräteventil schließen; überprüfen Sie auch, ob alle Verbindungen korrekt montiert sind. Überprüfen Sie die Stellen erneut mit Seifenwasser.
- Sollte das Gasleck weiterhin bestehen, geben Sie das Gerät bitte Ihrem Händler zur Inspektion / Reparatur zurück.

<b>Verwendungsland</b>	BE, CH, CY, CZ, ES, FR, GB, GR, IE, IT, LT, LU, LV, PT, SK & SI		PL	BE, CY, DK, EE, FR, FI, HU, IT, LT, NL, NO, SE, SI, SK, RO, HR, TR, BG, IS, LU, MT, & ZA	AT, CH, DE & SK
<b>Geräte-Kategorie</b>	I <sub>3+</sub> (28-30/37)		I <sub>3B/P</sub> (37)	I <sub>3B/P</sub> (30)	I <sub>3B/P</sub> (50)
<b>Erlaubte Gase</b>	Butane-G30	Propane-G31	Butan-G30, Propan-G31 oder deren Mischung		
<b>Betriebsdruck</b>	28-30mBar	37mBar	37mBar	28-30mBar	50mBar
<b>Düse Nummer</b>	0.73		0.69	0.73	0.64
<b>Nenngebrauch</b>	Butane - 160 g/h pro Brenner (160g/h x 2 = 320g/h in Summe)		Butane - 160 g/h pro Brenner (160g/h x 2 = 320g/h in Summe)	Butane - 160 g/h pro Brenner (160g/h x 2 = 320g/h in Summe)	Butane - 160 g/h pro Brenner (160g/h x 2 = 320g/h in Summe)
<b>Nominale brutto Wärmeeintrag</b>	2.2kW pro Brenner (2.2kW x 2 = 4.4kW in Summe)		2.2kW pro Brenner (2.2kW x 2 = 4.4kW in Summe)	2.2kW pro Brenner (2.2kW x 2 = 4.4kW in Summe)	2.2kW pro Brenner (2.2kW x 2 = 4.4kW in Summe)

**Abkürzungen für Ländernamen**

AE = Vereinigte Arabische Emirate	AL = Albanien	AT = Österreich	BE = Belgien	CH = Schweiz
CZ = Tschechien	DE = Deutschland	DK = Dänemark	ES = Spanien	FI = Finnland
FR = Frankreich	GB = Großbritannien	GR = Griechenland	HR = Kroatien	IT = Italien
JP = Japan	KR = Korea	NL = Niederlande	NO = Norwegen	PL = Polen
PT = Portugal	RO = Rumänien	RU = Russland	RS = Serbien	SI = Slowenien
SK = Slowakei	SE = Schweden	TR = Türkei	ZA = Südafrika	

**I 3B/P (30), I 3+ (28-30/37) und I 3B/P (37), Gerätekategorie: (DK, FI, NO, NL, SE, AT, DE, BE, ES, FR, IE, IT, PT, GB, CH)**

Schieben Sie einen zugelassenen Schlauch auf das Ventilstück, bis er richtig sitzt. Schließen Sie am anderen Ende einen geeigneten Niederdruckregler an.

I3B/P(30) : 30 mbar Butan-Konfigurationsregler oder 30 mbar Propan-Konfigurationsregler oder 30 mbar Butan/Propan-Gemisch Konfigurationsregler.

I3B/P(37) : 37 mbar Butan-Konfigurationsregler oder 37 mbar Propan-Konfigurationsregler oder 37 mbar Butan/Propan-Gemisch Konfigurationsregler.

I3+(28-30/37): 30 mbar Butan-Konfigurationsregler oder 37 mbar Propan-Konfigurationsregler.

Vergewissern Sie sich erneut, dass der Schlauch richtig sitzt. Der verwendete Schlauchtyp muss der einschlägigen EN-Norm und den Standortanforderungen entsprechen.

**I 3B/P (50) Gerätekategorie: (AT, DE, CH, SK)**

I3B/P(50): 50 mbar Butan-Konfigurationsregler oder 50 mbar Propan-Konfigurationsregler oder 50 mbar Butan/Propan-Mischkonfigurationsregler.

Schrauben Sie einen Schlauch mit den richtigen Gewindeanschlüssen an jedem Ende auf das linke 1/4-Zoll-BSP-Gewinde des Ventils. Bringen Sie am Ende des Schlauchs einen geeigneten 50-mbar-Niederdruckregler an. Die verwendete Schlauchleitung muss DIN 4815 Teil 2 oder gleichwertig entsprechen.

## 2. Einbau und Wechsel der Gasversorgung

### Anschließen der Gasversorgung

- Bevor Sie den Gasbehälter an das Gerät anschließen sollten Sie sicherstellen, dass sich die Gummidichtung am Regler in der richtigen Position und in gutem Zustand befindet.
- Bevor Sie den Schlauch und den Regler an das Gerät anschließen, vergewissern Sie sich, dass sich der Bedienknopf am Gerät in der Position „OFF“ befindet.
- Führen Sie diese Überprüfung jedes Mal aus, wenn Sie einen Gasbehälter an das Gerät anschließen.
- Blasen Sie den Staub aus der Gasbehälter-Öffnung, um eine mögliche Blockierung der Düsen zu vermeiden.
- Bringen Sie einen zugelassenen Schlauch und Regler am Gerät an.
- Stellen Sie sicher, dass die Gasversorgung (Gasflasche/Gaskartusche) an einem gut belüfteten Ort, entfernt von Zündquellen wie offenem Feuer und entfernt von anderen Personen angebracht ist.
- Den Schlauch nicht verdrehen oder einklemmen. Stellen Sie sicher, dass er vom Grill weggeführt wird, um eine Beeinträchtigung / Beschädigung des Schlauchs durch Hitze zu vermeiden.
- Achten Sie darauf, dass der Gasbehälter jederzeit aufrecht gestellt ist. Schließen Sie den Gasbehälter durch feste Verschraubung mit der Hand an, bis er voll angepasst ist.
- Stellen Sie sicher, dass eine vollständige Gasabdichtung hergestellt wurde (überprüfen Sie den Gasgeruch um die Armatur herum). Nicht mit offener Flamme auf Lecks prüfen. Verwenden Sie nur warmes Seifenwasser, das auf Gelenke und Anschlüsse des Geräts aufgetragen wird. Jedes Leck wird als Blasen um den Leckbereich herum angezeigt
- Wenn Sie das Gasleck nicht reparieren können, dann benutzen Sie das Gerät nicht sondern kontaktieren Sie Ihren örtlichen Händler für Unterstützung.

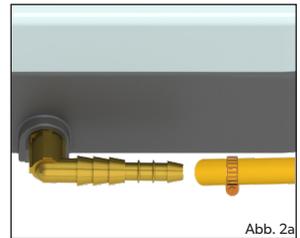


Abb. 2a



Abb. 2b

### So trennen und ändern Sie die Gasversorgung

- Drehen Sie nach Gebrauch den Bedienknopf des Geräts auf die Position „OFF“ und schließen Sie die Gaszufuhr.
- Wenn Sie Ihre leere Flasche ersetzen müssen, vergewissern Sie sich, dass das Gas am Flaschenventil geschlossen ist.
- Beim Gasflaschenwechsel nicht rauchen.
- Entfernen Sie den Regler von der leeren Flasche.
- Bringen Sie den Regler an der vollen Flasche an, siehe obige Anweisungen zum Anschließen der Gasversorgung.
- Wenden Sie die gleiche Sorgfalt und die gleichen Prüfverfahren an wie beim Einbau einer neuen Gasflasche.

### So überprüfen Sie, ob Ihre Gasflasche leer ist

- Der einfachste Weg, um zu überprüfen, ob Ihr Gasstand niedrig ist, besteht darin, Ihre Gasflasche hochzuheben.
- Wenn Sie feststellen, dass Ihre Gasflasche etwas leichter als gewöhnlich ist, können Sie die Flasche wiegen, um festzustellen, wie viel Gas noch vorhanden ist. Die meisten Flaschen haben einen Tara-Gewichtsstempel am Hals oder am Basisring, und wenn das Gewicht auf dem Stempel mit dem Gewicht Ihrer Flasche übereinstimmt, haben Sie kein Gas mehr. Aus der Gewichts Differenz können Sie dann die verbleibende Gasmenge abschätzen.

## 3. Betrieb des Geräts

- Bitte achten Sie beim Betrieb dieses Gerätes darauf, dass alle Teile in einwandfreiem Zustand sind und dass Sie das Gerät bei jedem Gebrauch auf Gaslecks überprüft haben, bevor Sie es anzünden.
- Kochflächen können einfach aufgestellt werden und sind einsatzbereit. Keine Montage erforderlich.
- **BITTE BEACHTEN:** Sorgen Sie bitte dafür, dass alle Schutzverpackungen und Plastikteile von dem Gerät vor Gebrauch entfernt worden sind.
- Das Gerät ist für Kochgeräte mit einem Durchmesser von nicht weniger als 180 mm und nicht größer als 250 mm entwickelt worden.

### Vor dem Anzünden zu beachtende Vorsichtsmaßnahmen

- Verwenden Sie dieses Gerät nur auf einer festen, ebenen Oberfläche.
- Untersuchen Sie das Gerät nach längerer Lagerung auf Insekten und Netze, die den Gasfluss beeinträchtigen könnten

### Zünden des Geräts mit dem Piezo

- Es wird empfohlen, alle Kochflächen zu entfernen, wenn Sie versuchen, das Gerät anzuzünden, damit Sie leichter sehen können, wann der Brenner angezündet ist.
- Um das Gerät mit dem Piezozünder einzuschalten, drücken und drehen Sie den Bedienknopf um 90° gegen den Uhrzeigersinn und drücken Sie dann auf den Piezoknopf, um das Gas einzuschalten (siehe Abb. 3). Wenn das Gas beim ersten Funken nicht zündet, drehen Sie den Bedienknopf zurück in die Position „OFF“. Versuchen Sie es erneut, indem Sie den Drehregler drücken und gegen den Uhrzeigersinn drehen und den Piezo-Knopf drücken, um das Gas zu zünden. Wenn sich das Gas nicht innerhalb der ersten zwei bis drei Sekunden entzündet, schließen Sie das Steuerventil, indem Sie den Bedienknopf zurück in die Position „OFF“ drehen.
- Warten Sie etwa 30 Sekunden, bis im Brenner angesammeltes Gas entweichen kann. Wiederholen Sie den obigen Vorgang, falls erforderlich, bis die Flamme zündet. Die Flamme sollte normalerweise innerhalb der ersten ein bis zwei Sekunden aufleuchten.

### Anzünden mit einem Feuerzeug

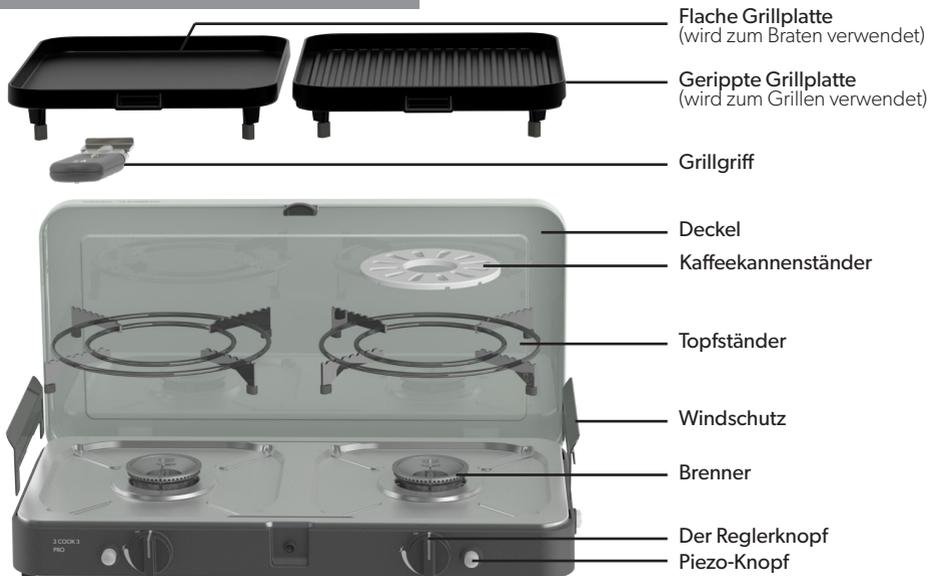
- Beim Kaltstart kann das Gerät von oben angezündet werden, bevor die gewünschte Kochfläche angebracht wird. Wenn Sie ein heißes Gerät anzünden, wird empfohlen, dazu ein Feuerzeug durch eines der Lüftungslöcher unter dem Brenner zu stecken, bis er sich auf einer Linie mit dem Brenner befindet (stecken Sie den Feuerzeug NICHT durch das große Loch direkt darunter der Brenner). Zünden Sie das Feuerzeug an. Während das Feuerzeug angezündet ist, drücken und drehen Sie den Bedienknopf gegen den Uhrzeigersinn, um den Brenner anzuzünden.



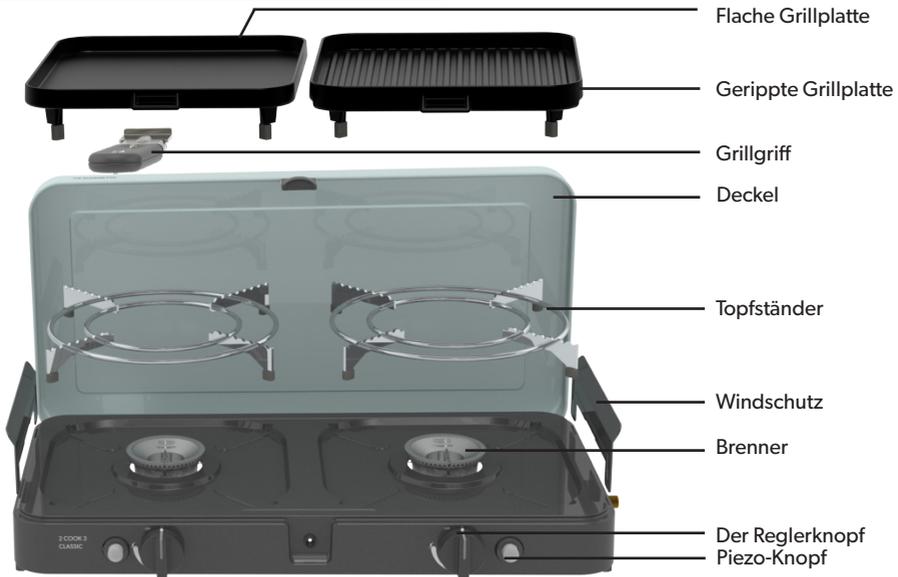
Abb. 3

**Allgemein**

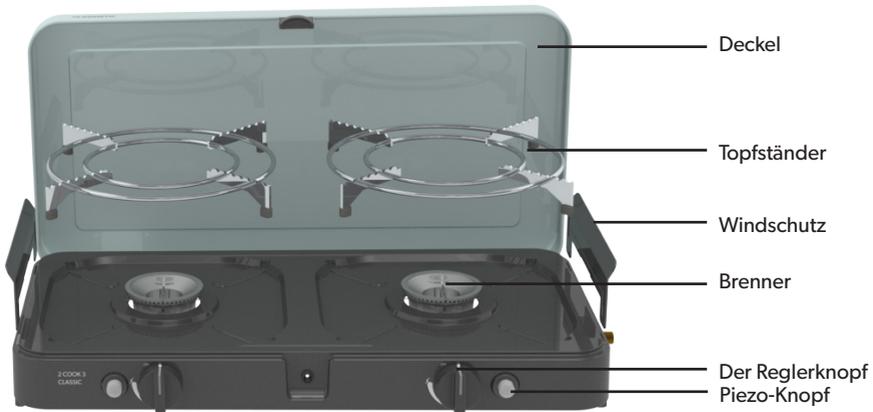
- Sobald das Gerät angezündet ist, kann die Flammenintensität eingestellt werden, indem der Steuerknopf gegen den Uhrzeigersinn gedreht wird, um die Flamme zu verringern, oder im Uhrzeigersinn, um die Flamme zu erhöhen.
- Beim Garen von Speisen mit hohem Fettgehalt kann es zu einem Aufflammen kommen, wenn die Kochstufe zu hoch gewählt ist. Drehen Sie in diesem Fall die Hitze herunter, bis das Aufflackern aufhört.
- Bewegen Sie das Gerät nicht, wenn es in Betrieb ist. Es ist unsicher, das Gerät zu bewegen, während es angezündet ist, und kann ein Aufflackern verursachen.
- Schließen Sie nach Gebrauch zuerst das Regelventil an der Gasflasche (wenn anwendbar). Wenn die Flamme erloschen ist, schließen Sie das Regelventil am Gerät

**4. Komponentenliste****Produktcode: 203P1-20****Produktcode: 203P1-10**

## Produktcode: 203M1-20



## Produktcode: 203M1-10



Die folgenden sind nicht im Lieferumfang enthalten und werden separat verkauft. Erkundigen Sie sich bei Ihrem Händler vor Ort nach der Verfügbarkeit.



Soft Soak 2 Cook



Paella Pan 30

Gerippte Grillplatte  
(mit Griff)Flache Grillplatte  
(mit Griff)Kaffeekannenstander  
(Standard bei  
Modell 203P1-20)

## 5. GreenGrill-Kochen

### GreenGrill-Kochen

Die meisten Kochflächen haben unsere GreenGrill-Beschichtung. Diese Keramikbeschichtung ist komplett PFOA-frei; es enthält keine giftigen Substanzen und garantiert gesünderes Kochen!

#### VORBEREITUNG UND VERWENDUNG

- „Einbrennen“: Bevor Sie das Kochfeld zum ersten Mal verwenden, können Sie diese mit Öl einreiben, um dem Kochfeld eine dünne Schutzschicht zu verleihen, die das Anhaften von Speisen verhindert. Es ist nicht erforderlich, aber wir empfehlen es. Es geht ganz einfach: Reiben Sie leicht Speiseöl auf die Oberfläche und stellen Sie es dann für 2 - 3 Minuten auf mittlere Hitze. Spülen Sie die Kochfläche nach dem Abkühlen vor Gebrauch mit Seifenwasser ab und fetten Sie sie leicht mit etwas Öl (Speiseöl Ihrer Wahl, z. B. Sonnenblumenöl) ein. Es ist startklar!
- Hinweis: GreenGrill-Beschichtung leitet Wärme besser als Produkte mit normaler (PTFE) Antihafbeschichtung. Wir empfehlen daher, nur 75 % der gewohnten Leistung zu verwenden.
- Lassen Sie die Kochfläche niemals ohne Öl auf der Wärmequelle. Tragen Sie eine dünne Schicht Öl mit einem Küchenpapier oder einer Bürste auf, bevor Sie die Kochfläche auf die Wärmequelle legen. Stellen Sie sicher, dass Sie alle Teile geölt haben, also mit z. B. Ein Grillrost umfasst auch die erhöhten Kanten.
- Aufgrund des hohen Brennpunktes empfehlen wir das Braten mit Sonnenblumenöl oder Rapsöl. Olivenöl kann einen relativ niedrigen Brennpunkt haben, was dazu führen kann, dass die Zutaten an der Oberfläche haften bleiben oder anbrennen. Daher raten wir von der Verwendung von Olivenöl ab. Tipp: Fleisch oder Fisch vor dem Braten auf Zimmertemperatur bringen. Dadurch wird ein Anhaften an der Kochfläche verhindert.
- Verwenden Sie immer Silikon- und/oder Holzutensilien, damit die GreenGrill-Beschichtung nicht beschädigt wird. Verwenden Sie niemals Metallutensilien, da dies die Beschichtung beschädigen kann.

#### REINIGUNG

- Lassen Sie die Kochfläche vor der Reinigung abkühlen. Extreme Temperaturschwankungen können zu Verformungen der Kochfläche leicht.
- Die GreenGrill-Beschichtung ist leicht zu reinigen. Warme Seifenlauge mit einem weichen Schwamm reicht aus, um die Kochflächen mit GreenGrill-Beschichtung zu reinigen. Vermeiden Sie Scheuerschwämme oder Stahlwolle.
- Wenn die Kochfläche Essensreste vom vorherigen Gebrauch aufweist, können diese an der Beschichtung haften bleiben und braune Flecken verursachen. An diesen Stellen können Zutaten an der Kochfläche haften bleiben, da die Beschichtung nicht mehr erreicht werden kann. Stellen Sie sicher, dass diese Flecken vor dem Gebrauch ordnungsgemäß entfernt werden.
- Bei hartnäckigen Flecken oder Rückständen auf der Paellapfanne oder Kochpfanne können Sie versuchen, sie in heißem Seifenwasser einzuweichen oder die „Essigmethode“ anzuwenden: Gießen Sie eine Schicht Essig in die Pfanne und erhitzen Sie die Pfanne leicht. Der Essig muss nicht kochen und sollte nie vollständig verdunsten. Gießen Sie den Essig aus der Pfanne, reinigen Sie die Pfanne mit Seifenwasser und die Pfanne ist wie neu. Hinweis: Erhitzen von Essig kann einen unangenehmen Geruch abgeben.
- Das CADAC | DOMETIC Soft Soak (separat erhältlich) ist das ideale Begleitprodukt, um das Einweichen über Nacht zu erleichtern. Bei Verwendung der Soft Soak empfehlen wir, die Kochfläche mit der Vorderseite nach unten zu platzieren, was ein maximales Einweichen ermöglicht und auch weniger Wasser verbraucht.
- Beachten Sie, dass Sie bei Verwendung des Soft Soak 2 Cook beide Roste gleichzeitig einweichen können. Legen Sie dazu einen Rost mit der Kochseite nach oben und den anderen nach unten, wie in den Bildern zu sehen.
- Nach dem Einweichen verbleibende hartnäckige Flecken können mit der CADAC | DOMETIC Soft Soak Brush (separat erhältlich) gelöst und weggebürstet werden.
- Mit einem weichen Tuch abtrocknen, fertig!



Einweichen mit dem Soft Soak 2 Cook (Grills nicht enthalten)



Soft Soak Brush

#### WARTUNG

- Wir empfehlen, nach der Reinigung etwas Öl auf die Kochfläche zu geben und mit Küchenpapier zu verteilen. Das Öl dichtet die Oberfläche gegen Außenluft und Feuchtigkeit ab. Es sorgt auch dafür, dass das Essen nicht in die Oberfläche einbrennt.
- Legen Sie das Kochfeld in eine Plastiktüte, bevor Sie es in die Aufbewahrungstasche legen, damit sichergestellt ist, dass die Aufbewahrungstasche sauber und ölfrei bleibt.
- Die Aufbewahrungstasche verhindert Schäden an der GreenGrill-Beschichtung und an Ihrem Produkt.

### Kochmöglichkeiten

- Dies sind die verfügbaren Kochoptionen. (Bei Wind Windschutz verwenden)
- Grillen:** Diese Gargoption ist ideal zum fettreichen Grillen von Hähnchen, Würstchen, Koteletts, Kebabs, Fisch oder Gemüse. Verwenden Sie für diese Art des Garens die Griddleplatte. / 'grill plate'
- Achtung:** Bitte beachten Sie, dass beim Garen von fettem Fleisch etwas Fett auf das Gerät spritzt, was zu einem Aufflammen führen kann. Seien Sie vorsichtig im Umgang mit solchem Fleisch. Die Gartemperaturen lassen sich einfach an die eigenen Bedürfnisse anpassen, indem man den Bedientopf dreht, um die Hitze zu regulieren.
- Braten:** Diese Option ist ideal für Pfannengerichte, Fisch, Frühstück, Pfannkuchen, Garnelen, Paella und Gemüse. Verwenden Sie für diese Art des Garens den flachen Pfanne. Bitte beachten Sie, dass sie als flache Pfanne nur zum flachen Braten geeignet ist. Die leicht zu reinigende Oberfläche fördert die minimale Verwendung von Fett für ein gesundes Kochen.
- Kochen:** Setzen Sie für diese Art des Kochens den Topfständer in seine Aufnahmerillen und stellen Sie sicher, dass er richtig sitzt. Stellen Sie einen geeigneten Topf auf (mindestens 180 mm Durchmesser und nicht mehr als 250 mm Durchmesser). Ein Liter Wasser kocht in etwa 6 Minuten, abhängig von den Bedingungen, der Größe des verwendeten Topfes usw. Bei Wind Windschutz verwenden.
- Hinweis:** Wenn Sie einen kleinen Topf verwenden, versuchen Sie, keinen Topf mit Plastikgriffen zu verwenden, da diese sehr heiß werden können.
- Paella:** Diese Kochoption ist ideal für die Zubereitung von Paellas, Risottos, Nudelgerichten, traditionellen Frühstücken usw. Die Paella-Pfanne 30 ist aus hochwertigem gepresstem Aluminium gefertigt, das eine hervorragende Wärmeverteilung und -speicherung ermöglicht.
- Kaffee:** Diese Option ist ideal für die Zubereitung einer heißen Tasse Kaffee. Ideal für jede Zeit, jeden Ort, überall.

## 6. Reinigung

- Es wird empfohlen, das Gerät nach jedem Gebrauch zu reinigen. Damit wird die Lebensdauer Ihres Gerätes verlängert.
- Lassen Sie das Gerät abkühlen, bevor Sie es reinigen.
- Verwenden Sie zur Reinigung der Außenflächen ein feuchtes, in Seifenlauge ausgewrungenes Tuch.
- Um den Gerätekörper sauber zu machen, wischen Sie ihn einfach mit einem feuchten Tuch und, falls notwendig, mit ein wenig Spülmittel ab.
- NICHT IN WASSER EINTAUCHEN, denn dadurch kann Wasser in die Brennerrohre eindringen, wodurch das Gerät dann nicht richtig funktionieren wird.
- Die Grillplatte ist mit einer robusten, haltbaren keramischen Antihafbeschichtung versehen, die mit großem Erfolg in einigen der besten Kochgeschirre der Welt verwendet wird. Wenn Sie sich jedoch darum kümmern, können Sie jahrelang gesundes, einfaches Antihaf-Kochen genießen.
- Obwohl die keramische Antihafbeschichtung sehr langlebig ist, kann sie durch die Verwendung von Kochutensilien aus Metall leicht beschädigt werden. Es wird daher empfohlen, beim Kochen nur Utensilien aus Kunststoff oder Holz zu verwenden.
- Lassen Sie den Grill/die flache Platte immer abkühlen, bevor Sie ihn in Wasser eintauchen.
- Achten Sie darauf, dass kein Wasser auf die Brenner oder den Zündflammenbereich gelangt. Wischen Sie das Gerät vor Gebrauch vollständig trocken.
- Verwenden Sie keine Scheuermittel, da diese die Oberflächen beschädigen können.
- Reinigen Sie das Gerät nach jedem Gebrauch. Reiben Sie die Kochfläche nach der Reinigung leicht mit Öl ein.
- Verwenden Sie keine Hochdruckdampfgeräte oder einen Wasserstrahl, um das Gerät zu reinigen.
- **Hinweis:** Bei hartnäckigen Flecken kann CADAC Ofenreiniger verwendet werden

## 7. Lagerung

- Lassen Sie das Gerät immer abkühlen und reinigen Sie es, bevor Sie es verstauen.
- Schalten Sie die Gaszufuhr zum Gerät ab, trennen und entfernen Sie die Gaszufuhr vom Gerät.
- Bewahren Sie niemals ein Gerät mit angeschlossener Gasversorgung auf, dies ist eine unsichere Vorgehensweise.
- Lagern Sie das Gerät und die Gasversorgung in einem gut belüfteten Bereich fern von brennbaren Materialien. Gasflaschen sollten vorzugsweise im Freien und NICHT im Keller gelagert werden.

## 8. Wartung und Fehlerbehebung

### Wartung

- Wenn Sie Ihr Gerät regelmäßig reinigen und warten, wird die Lebensdauer Ihres Geräts verlängert und die Wahrscheinlichkeit von Problemen verringert.
- Dieses Gerät erfordert keine planmäßige Wartung.
- Dieses Gerät darf nur von einer autorisierten Person gewartet werden.
- Überprüfen Sie Ihren Gasschlauch und Ihre Anschlüsse regelmäßig auf Anzeichen von Undichtigkeiten und jedes Mal, wenn die Gasflasche bei jedem Gebrauch neu gefüllt oder an das Gerät angeschlossen wird.

### Fehlerbehebung

Bei spritzender Flamme oder verstopfte Düse

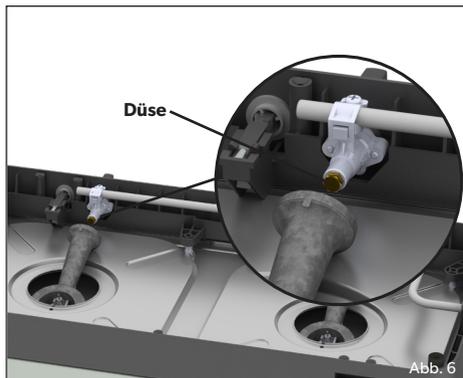
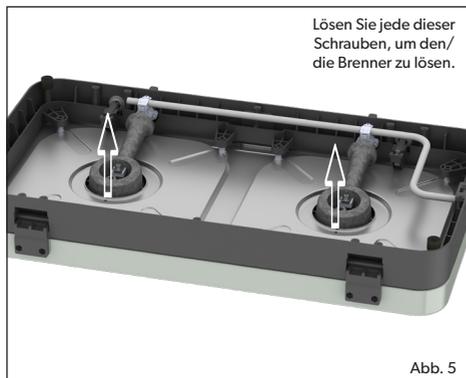
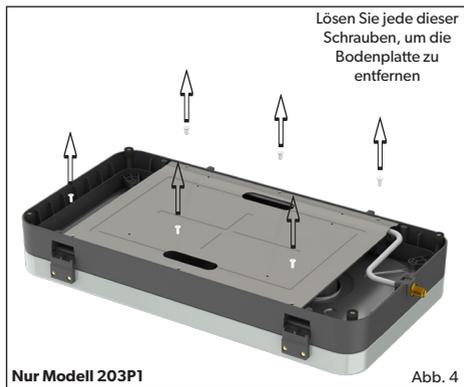
- Reinigen Sie Ihre Brenneröffnungen im Falle eines Überlaufens.
- Wir empfehlen, die Düsen alle sechs (6) Monate zu reinigen oder auszutauschen, um einen dauerhaften effizienten Betrieb Ihres Geräts zu gewährleisten.
- Sollte das Gerät nach der Lagerung anormal funktionieren und alle Kontrollen das Problem nicht isoliert haben, kann die Düse verstopft sein. Ein verstopfter Strahl würde im Extremfall durch eine schwächere gelbliche Flamme oder gar keine Flamme angezeigt. Unter diesen Umständen ist es erforderlich, alle Fremdkörper, die sich möglicherweise im Gerät angesammelt haben, zu entfernen, zu überprüfen und gründlich zu reinigen.
- Entfernen Sie dazu die Düse mit Standardwerkzeugen und blasen Sie etwaigen Schmutz aus der Düse. Alternativ können Sie neue Düsen in Ihrem örtlichen Geschäft kaufen. Versuchen Sie nicht, die Düse mechanisch zu reinigen.

### Ersetzen einer blockierten Düse:

- Ihr Gerät ist mit einer Düse spezieller Größe ausgestattet, um die richtige Gasmenge zu regulieren.
- Sollte das Loch in der Düse verstopft sein, kann dies zu einer kleinen Flamme oder gar keiner Flamme führen. Versuchen Sie nicht, die Düse mit einer Nadel oder einem ähnlichen Gerät zu reinigen, da dies die Öffnung beschädigen und das Gerät unsicher machen könnte.
- **So tauschen Sie die Düse aus:** Entfernen Sie alle Kochflächen, schließen Sie den Deckel und drehen Sie das Gerät um. Schrauben Sie die Bodenplatte vorsichtig ab, indem Sie die Schrauben entfernen (Abb. 4) (nur für 203P1-Modelle). Lösen Sie die Schraube für den/die betroffenen Brenner (Abb. 5), lösen Sie den Brenner vorsichtig und lassen Sie ihn wie abgebildet fallen, um die Düse freizulegen. Beachten Sie, dass der Brenner mit dem Piezokabel verbunden ist, überprüfen Sie nach dem Austausch der Düse und dem Zusammenbau, ob dieses Kabel noch angeschlossen ist. Die Düse ist jetzt auf dem Ventil zu sehen, entfernen Sie die Düse mit einem geeigneten Schraubenschlüssel (Abb. 6). Verwenden Sie keine Zange an der Düse, da dies die Düse beschädigen und unbrauchbar oder unmöglich machen kann, sie zu entfernen. Schrauben Sie die neue Düse in das Ventil. Nicht zu fest anziehen, da dies die Düse beschädigen kann.
- Gehen Sie in umgekehrter Reihenfolge vor, um das Gerät wieder zusammenzubauen.

### Schlauch ersetzen:

- Montieren Sie den Schlauch wie in Abschnitt 2 beschrieben



## 9. Ersatzteile und Zubehör

- Verwenden Sie immer Original-Ersatzteile, da diese für eine optimale Leistung entwickelt wurden.

Ersatzteile		Zubehör			
Artikel	Ersatzteil Nr	Artikel	Ersatzteil Nr		
	202-SP004		202-SP011		203-100
	202-SP012		202-SP020		203-900
	203P-SP001		203P-SP002		8640
	203P-SP003		203P-SP005		203-200
	203P-SP008		203P-SP011		203-300
	203P-SP015		203P-SP018		98326
	HM6-073 (Düse 0.73 28-30 mbar) HM6-069 (Düse 0.69 37mbar) HM6-064 (Düse 0.64 50mbar)		203P-SP012		
	203P-SP023				

## 10. Garantie

**CADAC Europe BV** garantiert hiermit dem URSPRÜNGLICHEN KÄUFER dieses Geräts für 2 Jahre, dass es ab dem Kaufdatum wie folgt frei von Material- und Verarbeitungsfehlern sein wird:

Ventile:	2 Jahre
Kunststoffteile:	Keine Gewährleistung
Emaillteile:	2 Jahre
Druckguss:	1 Jahre
Brenner:	1 Jahr

Die Garantie gilt nur, wenn das Gerät gemäß der gedruckten Anleitung montiert und betrieben wird.

**CADAC Europe BV** kann einen angemessenen Nachweis Ihres Kaufdatums verlangen. DESHALB SOLLTEN SIE IHREN KAUFBELEG ODER RECHNUNG AUFBEWAHREN.

Diese eingeschränkte Garantie ist auf die Reparatur oder den Austausch von Teilen beschränkt, die sich bei normalem Gebrauch und normalem Service als defekt erweisen und bei der Prüfung zur Zufriedenheit von **CADAC Europe BV** ergeben, dass sie defekt sind. Wenden Sie sich vor der Rücksendung von Teilen an den Kundendienstvertreter in Ihrer Region, indem Sie die Kontaktinformationen verwenden, die Ihrem Handbuch beiliegen. Wenn **CADAC Europe BV** den Mangel bestätigt und die Reklamation anerkennt, wird **CADAC Europe BV** sich dafür entscheiden, diese Teile kostenlos zu ersetzen. **CADAC Europe BV** sendet Teile fracht- oder portofrei an den Käufer zurück.

Diese eingeschränkte Garantie deckt keine Ausfälle oder Betriebsschwierigkeiten aufgrund von Unfällen, Missbrauch, Missbrauch, Änderung, falscher Anwendung, Vandalismus, unsachgemäßer Installation oder unsachgemäßer Wartung oder Service oder Nichtdurchführung normaler und routinemäßiger Wartung, einschließlich, aber nicht beschränkt auf Schäden, die durch verursacht wurden Insekten in den Brennerrohren, wie in dieser Bedienungsanleitung beschrieben. Verschlechterung oder Beschädigung aufgrund von Unwettern wie Hagel, Wirbelstürmen, Erdbeben oder Tornados, Verfärbungen aufgrund direkter Einwirkung von Chemikalien oder in der Atmosphäre werden von dieser beschränkten Garantie nicht abgedeckt.

Es gibt keine anderen ausdrücklichen Garantien außer den hierin dargelegten, und alle anwendbaren stillschweigenden Garantien der Marktgängigkeit und Eignung sind in ihrer Dauer auf die Geltungsdauer dieser ausdrücklichen schriftlichen beschränkten Garantie beschränkt. Einige Regionen erlauben keine Beschränkung der Dauer einer stillschweigenden Garantie, sodass diese Beschränkung möglicherweise nicht auf Sie zutrifft.

**CADAC Europe BV** haftet nicht für besondere, indirekte oder Folgeschäden. In einigen Regionen ist der Ausschluss oder die Beschränkung von Neben- oder Folgeschäden nicht zulässig, daher trifft diese Beschränkung oder dieser Ausschluss möglicherweise nicht auf Sie zu.

**CADAC Europe BV** ermächtigt keine Person oder Firma, für sie irgendeine Verpflichtung oder Haftung im Zusammenhang mit dem Verkauf, der Installation, der Verwendung, dem Abbau, der Rückgabe oder dem Austausch ihrer Ausrüstung zu übernehmen; und solche Zusicherungen sind für **CADAC Europe BV** nicht bindend.

Diese Garantie gilt nur für im Einzelhandel verkaufte Produkte.

Um Freude an Ihrem Produkt zu haben und eine lange Lebensdauer zu gewährleisten, lesen Sie bitte den Abschnitt Reinigung und Pflege der Bedienungsanleitung.

## Forklaring af symboler



Genbrug af emballagemateriale! Anbring emballagematerialet i de relevante genbrugsaffaldsbeholdere, hvor det er muligt.

Sørg for tilstrækkelig udluftning. Dette gasapparat forbruger ilt (oxygen). Brug ikke apparatet i et u-ventileret rum for at undgå at sætte livet på spil.

Hvis der etableres flere gasapparater og/eller der kommer flere beboere til, der anvender , skal der sørges for yderligere udluftning.

**VIGTIGT**

Læs disse instruktioner omhyggeligt for at gøre dig fortrolig med apparatet før det tilsluttes en gascylinder.

Opbevar disse instruktioner til fremtidig reference.

**1. Sikkerhedsinformation**

Disse instruktioner tjener din sikkerhed og skal hjælpe dig med at undgå enhver risiko for kvæstelser og/eller beskadigelser. Alle garantier bliver ugyldige, hvis disse instruktioner ikke følges.

- Enheden overholder BS EN 484.
- Gasapparatet kræver ventilation for effektiv ydeevne og for at sikre sikkerheden for brugere og andre personer i umiddelbar nærhed. Brug ikke apparatet i et uventileret område. Den er kun beregnet til udendørs brug.
- Det lokale, hvor enheden anvendes bør være forsynet med vindue eller en dør, der kan åbnes helt eller delvist under brug af enheden. Hvis der ikke er s/et vindue eller en dør, til at ventilere rummet, skal der for en sikkerheds skyld installeres ekstra ventilation.
- Sørg for at enheden altid anvendes på et godt ventileret sted.
- **ADVARSEL: TILGÆNGELIGE DELE KAN VÆRE MEGET VARME. HOLD UNGE BØRN VÆK.**
- Læs instruktionerne før enheden tages i anvendelse.
- **Må kun benyttes udendørs!**

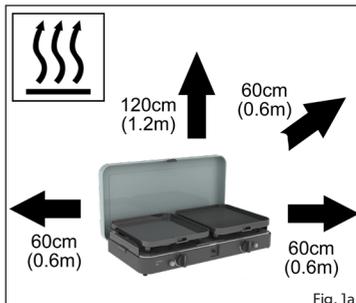


Fig. 1a

**Montering og brug**

- Brug ikke enheden, hvis den har beskadigede eller slidte pakninger.
- Benyt ikke en enhed, der lækker, er beskadiget eller ikke fungerer upåklageligt.
- Håndter enheden forsigtigt og tab den ikke.
- Betjen altid apparatet på en fast, plan overflade.
- Sørg for at det samlede produkt står stabilt og ikke vipper.
- Dette apparat er ikke egnet til installation eller tilslutning til en netformet gasforsyning.
- Sørg for at enheden ikke anvendes i nærheden af antændelige materialer. Minimum sikkerhedsafstande: over enheden - 1,2m, bagtil og til siderne - 0.6m. (fig.1a)
- Når der anvendes gryde, er den mindste, anbefalede grydestørrelse 180 mm og maksimum grydestørrelse er 250 mm.
- Brug ikke en kogeplade eller gryde, der er større end den anbefalede størrelse. Vores madlavningsoverflader er specielt designet til at tillade gasforbrænding at undslippe, og lukningen af dette rum kan påvirke dette apparats ydeevne.
- Modificer ikke dette apparat, enhver modifikation kan være farlig. Brug den ikke til noget, den ikke er designet til.
- Flyt ikke enheden under brug.
- Efterlad aldrig enheden uden opsyn mens den er tændt.
- Under brug bliver dele af enheden varme (især brænderne). Undgå at berøre varme dele med de bare hænder. Det anbefales at benytte handsker.
- Sørg for, at alle kogeplader/grydestande er korrekt placeret, når apparatet bruges.

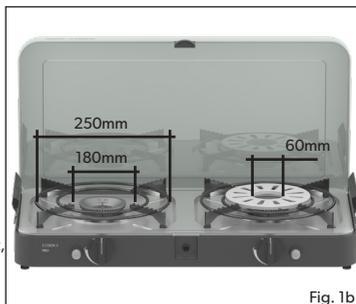


Fig. 1b

**Slanger**

- Slange og pakning på regulatoren skal tjekkes for slitage og skader før hver ibrugtagning af enheden og før tilslutning af en gasbeholder.
- Brug ikke apparatet, hvis slangen er beskadiget eller slidt. Udskift slangen.
- Vrid eller sno ikke slangen.
- Slangelængden skal være mindst 0.8m og højst 1,2m. Udskift slangen hvis den er beskadiget eller viser tegn på sprødhed eller revner.

**Gasbeholder**

- Gas leveres til enheden via en slange og regulator. Slangen og regulatoren kan tilsluttes en gasflaske eller en Power Pak, som er en enhed, der tager to eller flere gaspatroner. Bemærk: slange, regulator og Power Pak leveres ikke med apparatet.
- **DET KAN VÆRE FARLIGT AT FORSØGE AT MONTERE ANDRE TYPER GASFLASKERE ELLER GASPATRONER (BRUGT I SAMMENHÆNG MED POWER PAK).**
- Denne enhed kræver slange og regulator for at fungere.
- Må kun bruges med en gasflaske, der ikke overstiger 500 mm i højden (ikke inklusive regulatoren) og 400 mm i bredden.
- Sørg for at gasbeholderen påsættes eller udskiftes på et sted med god ventilation - helst udendørs og borte fra antændingskilder som åbne flammer og andre mennesker.
- Hold gasbeholderen borte fra varme og flamme. Placer ikke på komfur eller anden varm overflade.
- Genopfyldelige beholdere må kun bruges i opretstående stilling for at sikre korrekt brændstofudtag. Manglende overholdelse af dette kan forårsage væskeudledning fra gasbeholderen, hvilket resulterer i farlige driftsforhold.
- Forsøg ikke at fjerne gasbeholderen, mens apparatet er i drift.
- Gasbeholderen skal afbrydes fra apparatet efter brug eller under opbevaring.

**Lys tilbage**

- I tilfælde af tilbagetænding (hvor flammen brænder tilbage og antænder ved dysen) skal gasforsyningen straks slukkes ved først at lukke for styringsventilen på gasbeholderen og derefter enhedsventilen. Efter at flammen er slukket, fjernes regulatoren og forsejlingens tilstand tjekkes. Udskift altid pakningen hvis du er i tvivl. Genantænd enheden.
- Hvis flammen bliver ved med tilbagetændende, returneres produktet til dit autoriserede værksted.

**Utætheder**

- Hvis der er en gaslækage på dit apparat (lugt af gas), skal du øjeblikkeligt slukke for gasstilførslen ved at dreje kontrolknappen med uret til "OFF"-positionen og bringe den til et flammefrit sted, hvor gaslækagen kan detekteres og stoppes. Hvis du ønsker at tjekke for gaslækager på dit apparat, skal du gøre det udenfor. Forsøg ikke at opdage gaslækager ved hjælp af en flamme; brug sæbevand.

**Sådan kontrolleres, at apparatet er tilsluttet gasforsyningen på en forsvarlig måde**

- Det er vigtigt at alle gasforbindelser er forbundet korrekt for at undgå gaslækager.
- Den korrekte måde at gøre det på, er ved at smøre samlingerne med sæbevand. Hvis der dannes luftbobler, er der en lækage. Sluk omgående for gasstilførslen, ved først at lukke styringsventilen på gasbeholderen og derefter enhedens ventil. Tjek at alle forbindelser sidder godt fast. Tjek igen med sæbevand.
- Hvis gaslækagen bliver ved, returneres produktet til din forhandler til afprøvning / reparation.

<b>Brugsland</b>	BE, CY, CH, CZ, ES, FR, GB, GR, IE, IT, LT, LU, LV, PT, SK & SI	PL	BE, CY, DK, EE, FR, FI, HU, IT, LT, NL, NO, SE, SI, SK, RO, HR, TR, BG, IS, LU, MT, & ZA	AT, CH, DE & SK	
<b>Apparat-kategorier</b>	I <sub>3+(28-30/37)</sub>		I <sub>3B/P(37)</sub>	I <sub>3B/P(30)</sub>	I <sub>3B/P(50)</sub>
<b>Tilladte gasser</b>	Butan-G30	Propan-G31	Butan-G30, Propan-G31 eller deres blanding		
<b>Betjeningstryk</b>	28-30mbar	37mbar	37mbar	28-30mbar	50mbar
<b>Dysenummer</b>	0.73		0.69	0.73	0.64
<b>Beregnet forbrug</b>	Butan - 160g/h per brænder (160g/h x 2 = 320g/h i alt)		Butan - 160g/h per brænder (160g/h x 2 = 320g/h i alt)	Butan - 160g/h per brænder (160g/h x 2 = 320g/h i alt)	Butan - 160g/h per brænder (160g/h x 2 = 320g/h i alt)
<b>Brutto, beregnet varmeinput</b>	2.2kW per brænder (2.2kW x 2 = 4.4kW i alt)		2.2kW per brænder (2.2kW x 2 = 4.4kW i alt)	2.2kW per brænder (2.2kW x 2 = 4.4kW i alt)	2.2kW per brænder (2.2kW x 2 = 4.4kW i alt)

**Landnavn Forkortelser**

AE = Forenede Arabiske Emirater	AL = Albanien	AT = Østrig	BE = Belgien	CH = Schweiz
CZ = Tjekkiet	DE = Tyskland	DK = Danmark	ES = Spanien	FI = Finland
FR = Frankrig	GB = Det Forenede Kongerige	GR = Grækenland	HR = Kroatien	IT = Italien
JP = Japan	KR = Korea	NL = Holland	NO = Norge	PL = Polen
PT = Portugal	RO = Rumænien	RU = Rusland	RS = Serbien	SI = Slovenien
SK = Slovakiet	SE = Sverige	TR = Kalkun	ZA = Sydafrika	

**I 3B/P (30), I 3+ (28-30/37) og I 3B/P (37), Apparatkategorier: (DK, FI, NO, NL, SE, AT, DE, BE, ES, FR, IE, IT, PT, GB, CH)**

Skub en godkendt slange på ventilens endestykke, indtil den sidder korrekt. I den anden ende monteres en passende lavtryksregulator. I 3B/P(30): 30mbar Butan-konfigurationsregulator eller 30mbar Propankonfigurationsregulator eller 30mbar butan/propanblandingskonfigurationsregulator.

I 3B/P(37): 37mbar Butan-konfigurationsregulator eller 37mbar Propankonfigurationsregulator eller 37mbar butan/propanblandingskonfigurationsregulator.

I 3+(28-30/37): 30mbar Butan-konfigurationsregulator eller 37mbar Propan-konfigurationsregulator.

Sørg igen for, at slangen sidder korrekt. Den anvendte slangetype skal overholde den relevante EN-standard og krav om placering.

**I 3B/P (50) Apparatkategori: (AT, DE, CH, SK)**

I 3B/P(50): 50mbar Butan-konfigurationsregulator eller 50mbar Propankonfigurationsregulator eller 50mbar butan/propanblandingskonfigurationsregulator.

Skrub en slange med de korrekte gevindfittings i hver ende på ventilens venstre 1/4" BSP gevind. Fastgør en passende 50mbar lavtryksregulator på enden af slangen. Den anvendte slangesamling skal overholde DIN 4815 del 2 eller tilsvarende.

## 2. Montering og ændring af gasforsyningen

### Tilslutning af gasforsyning

- Før enheden forbindes til en gasbeholder, skal det sikres at gummipakningen på regulatoren sidder som den skal og er i god funktionsstand.
- Før du tilslutter slangen og regulatoren til enheden, skal du sikre dig, at kontrolknappen på enheden er i positionen "OFF".
- Udfør denne kontrol hver gang enheden forbindes til gasbeholderen.
- Pust alt støv af beholderåbningen for at undgå eventuel blokering af dyse.
- Tilslut en godkendt slange og regulator til apparatet.
- Sørg for, at gasforsyningen (gasflaske / gaspatron) er monteret på et godt ventileret sted, væk fra antændelseskilder såsom åben ild og væk fra andre mennesker.
- Vrid eller sno ikke slangen. Sørg for at den trækkes væk fra enheden for at undgå forvritning beskadigelse af slangen på grund af varme.
- Sørg for at gasbeholderen holdes i opretstående stilling. Forbind til beholderen ved at skru fast til håndkraft indtil den sidder helt fast.
- Sørg for, at der er lavet en komplet gasforsegling (tjek for lugten af gas omkring forbindelsen). Kontroller ikke for utætheder ved hjælp af åben ild. Brug kun varmt sæbevand påført ledene og apparatets tilslutninger. Enhver lækage vil fremstå som bobler omkring lækageområdet.
- Hvis du ikke kan udbedre gaslækagen, må enheden ikke anvendes. Kontakt din lokale forhandler for at få hjælp.

### Frakobling og ændring af gasforsyningen

- Efter brug skal du dreje apparatets kontrolknop til positionen "OFF" og lukke for gas tilførslen.
- Når du skal udskifte din tomme gasflaske, skal du sørge for, at gassen er lukket ved flaskeventilen.
- Ryg ikke, mens du skifter gasflaske.
- Fjern regulatoren fra den tomme gasflaske.
- Fastgør regulatoren til den fulde gasflaske, se instruktionerne ovenfor om, hvordan man tilslutter gasforsyningen.
- Anvend samme pleje- og kontrolprocedurer, som hvis du monterede en ny gasflaske.

### Sådan tjekker du om din gasflaske er tom

- The easiest way to check if you are low on gas is by picking up your gas cylinder.
- Den nemmeste måde at kontrollere, om dit gasniveau er lavt, er at tage din gasflaske op.
- Hvis du opdager, at din gasflaske er lidt lettere end normalt, kan du veje cylinderen for at bestemme, hvor meget gas der er tilbage. De fleste cylindere har tomvægten stemplet på halsen eller bundringen, og hvis den angivne vægt matcher vægten på din cylinder, er du løbet tør for gas. Ud fra vægtforskellen kan du så estimere den resterende mængde gas.

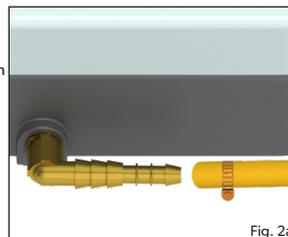


Fig. 2a

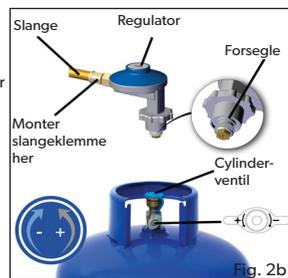


Fig. 2b

## 3. Betjening af apparatet

- Når du betjener dette apparat, skal du sørge for, at alle dele er i god stand, og at du har kontrolleret for eventuelle gaslækager før hver brug og tænding.
- Madlavningsoverflader kan nemt placeres og er klar til brug. Ingen montering nødvendig.
- **BEMÆRK VENLIGST:** Sørg venligst for at al beskyttende emballage og plastik fjernes fra enheden før den tages i brug.
- Enheden er konstrueret til brug sammen med kogebeholdere med en diameter på mindst 180 mm og højst 250 mm.

### Forholdsregler, der skal overholdes før optænding.

- Brug kun denne enhed på en fast, plan overflade.
- Efter langtidsopbevaring skal apparatet efterses for insekter og edderkoppespid, der kan påvirke gasstrømmen

### Tænd apparatet ved hjælp af piezo

- Det anbefales, at du fjerner alle kogeplader, når du forsøger at tænde for apparatet, for at gøre det lettere at se, hvornår brænderen er tændt.
- For at tænde for apparatet ved hjælp af piezo-tænderen skal du trykke og dreje kontrolknappen 90° mod uret, og derefter trykke på piezo-knappen for at tænde gassen (se fig. 3). Hvis gassen ikke antændes ved den første gnist, skal du dreje kontrolknappen tilbage til dens "OFF"-position. Prøv igen ved at trykke og dreje kontrolknappen mod uret og trykke på piezoknappen for at antænde gassen. Hvis gassen ikke er antændt inden for de første to til tre sekunder, skal du lukke kontrolventilen ved at dreje kontrolknappen tilbage til dens "OFF"-position.
- Vent i 30 sekunder for at udlufte eventuel gas, der har ophobet sig i brænderen. Gentag om nødvendigt ovenstående proces, indtil flammen antændes. Flammen skal normalt lyse inden for de første 1-2 sekunder.

### Optænding med en BBQ lighter

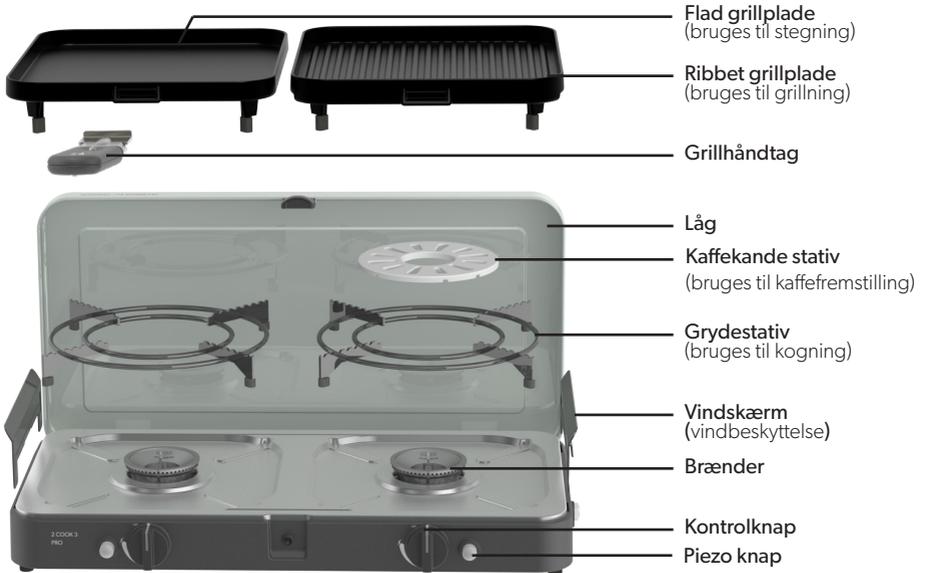
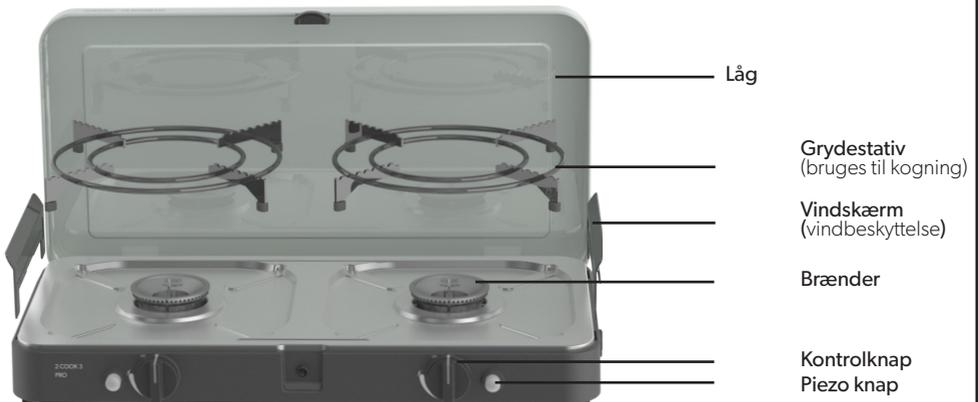
- Ved koldstart kan apparatet antændes fra toppen, inden den ønskede kogeplade monteres. Når du tænder et varmt apparat, anbefales det, at dette gøres ved at stikke en BBQ-lighter ind gennem et af udluftningshullerne under brænderen, indtil den er på linje med brænderen (Placer IKKE BBQ-lighteren gennem det store hul lige under brænderen). Tænd BBQ lighteren. Mens BBQ lighteren er tændt, skal du trykke på og dreje kontrolknappen mod uret for at tænde for brænderen.



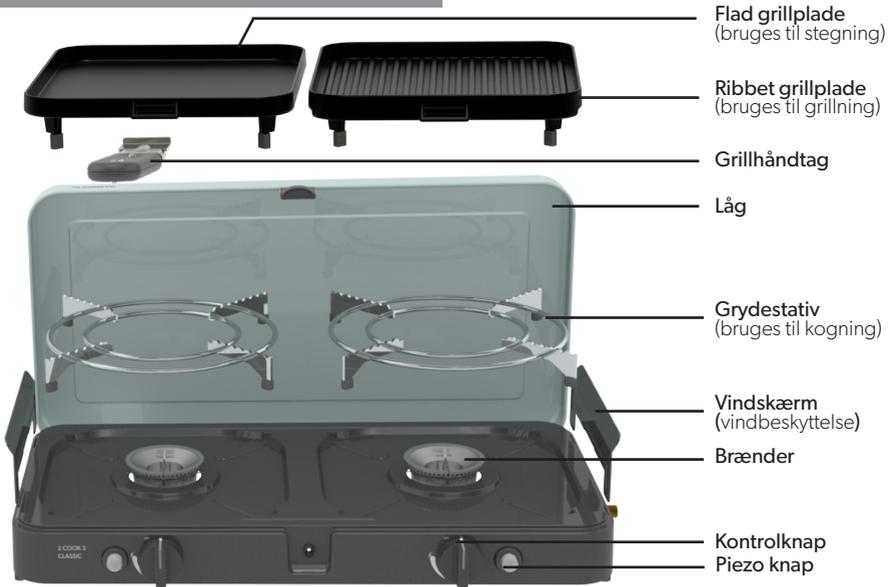
Fig. 3

**Generel**

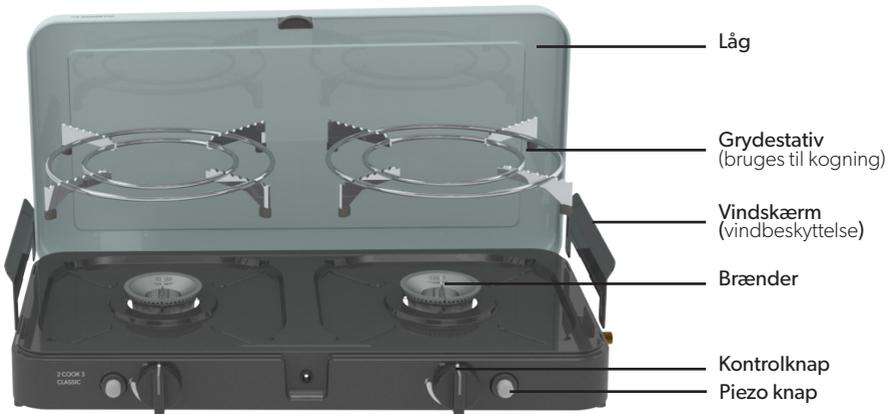
- Når apparatet er tændt, kan flammeintensiteten justeres ved at dreje kontrolknappen mod uret for at reducere flammen eller med uret for at øge flammen.
- Ved tilberedning af mad med et højt fedtindhold, kan der opstå blusser, hvis den valgte varmeindstilling er for høj. Skulle dette ske, skru ned for varmen, indtil opblussen ophører.
- Flyt ikke apparatet, når det er i brug. Det er usikker praksis at flytte apparatet, mens det er tændt, og det kan forårsage blusser.
- Efter brug lukkes først reguleringsventilen på gasflasken (hvis relevant). Når flammen er slukket, lukkes reguleringsventilen på apparatet

**4. Komponentliste****Produktkode: 203P1-20****Produktkode: 203P1-10**

Produktkode: 203M1-20



Produktkode: 203M1-10



Følgende er ikke inkluderet og sælges separat. Spørg din lokale forhandler for tilgængelighed.



Soft Soak 2 Cook



Paella Pan 30  
(bruges til Paella/stegning)



Kaffekande stativ  
(standard med model  
203P1-20)



Ribbet grillplade  
(med håndtag)



Flad grillplade  
(med håndtag)

## 5. GreenGrill Madlavningsmuligheder

### GreenGrill Madlavning

De fleste madlavningsoverflader har vores GreenGrill-belægning. Denne keramiske belægning er fuldstændig PFOA-fri; det indeholder ingen giftige stoffer, og garanterer sundere madlavning!

#### FORBEREDELSE OG BRUG

- For at "krydre" din grill: Inden du bruger kogepladen første gang, kan du krydre den for at give kogeoverfladen et tyndt beskyttende lag, der forhindrer mad i at sætte sig fast. Det er ikke påkrævet, men vi anbefaler det. Det er meget nemt: Gnid let madolie på overfladen og sæt den derefter over medium varme i 2-3 minutter. Når den er afkølet, vask kogepladen med sæbevand inden brug og smør den let med lidt olie (madolie efter eget valg, f.eks. solsikkeolie). Den er klar til at gå!
- Bemærk: GreenGrill belægning leder varme bedre end produkter med en almindelig (PTFE) non-stick belægning. Vi anbefaler derfor kun at bruge 75 % af kraften af det, du er vant til.
- Lad aldrig kogepladen stå på varmekilden uden olie. Påfør et tyndt lag olie med et køkkenrulle eller en børste, før du placerer kogepladen på varmekilden. Sørg for at have oliert alle dele, så med f.eks. et BBQ-gitter inkluderer også de hævede kanter.
- Vi anbefaler at stege i solsikkeolie eller rapsolie på grund af det høje kogepunkt. Olivenolie kan have et relativt lavt kogepunkt, hvilket kan få ingredienserne til at klæbe til gryden eller brænde på. Vi anbefaler derfor ikke at bruge olivenolie. Tip: Bring kød eller fisk til stuetemperatur inden stegning. Dette forhindrer at klæber til kogepladen.
- Brug altid silikone- og/eller træredskaber, så GreenGrill-belægningen ikke beskadiges. Brug aldrig metalredskaber, da dette kan beskadige belægningen.

#### RENGØRING

- Lad kogepladen køle af før rengøring. Ekstreme temperaturudsving kan føre til deformation af kogepladen.
- GreenGrill-belægningen er "Easy Clean". Varmt sæbevand med en blød svamp er tilstrækkeligt til at rengøre kogepladerne med GreenGrill-belægningen. Undgå skuresvampe eller ståluld.
- Hvis kogepladen har madrester fra tidligere brug, kan disse klæbe til belægningen og forårsage brune pletter. Disse steder kan ingredienser klæbe til kogepladen, fordi belægningen ikke længere kan nås. Sørg for, at disse pletter er fjernet korrekt før brug.
- Ved genstridige pletter eller rester på paellapanden eller bradepanden kan du prøve at ligge i blød i varmt sæbevand natten over eller bruge "eddikemetoden": Hæld et lag eddike i gryden og varm gryden lidt op. Eddiken behøver ikke at koge og bør aldrig fordampe helt. Hæld eddiken ud af gryden, rens gryden med sæbevand og gryden er som ny. Bemærk: Opvarmning af eddike kan afgive en ubehagelig lugt.
- CADAC | DOMETIC Soft Soak (sælges separat) er det ideelle ledsagerprodukt til at lette iblødsætning natten over. Når du bruger Soft Soak, anbefaler vi at placere kogeoverfladen med forsiden nedad, hvilket giver mulighed for maksimal iblødsætning og også brugen mindre vand.
- Bemærk, at hvis du bruger Soft Soak 2 Cook, kan du lægge begge riste i blød samtidigt. For at gøre dette skal du placere den ene gitterside opad og den anden nedad som vist på billederne.
- Eventuelle genstridige pletter, der er tilbage efter iblødsætning, kan løses og børstes væk med CADAC | DOMETIC Soft Soak Brush (sælges separat)
- Tør med en blød klud, færdig!

#### VEDLIGEHOLDELSE

- Vi anbefaler at hælde lidt olie på kogepladen efter rengøring og sprede den med køkkenpapir. Olien tætnet overfladen mod udefrakommende luft og fugt. Det sikrer også, at maden ikke brænder fast i overfladen.
- Anbring kogepladen i en plastikpose, før du lægger den i opbevaringsposen for at sikre, at opbevaringsposen forbliver ren og fri for olie.
- Opbevaringsposen forhindrer skader på GreenGrill-belægningen og dit product.



### Madlavningsmuligheder

- Tilgængelige tilberedningsmuligheder er: (Brug forrunder i tilfælde af blæsende forhold)

**Grillning:** Denne tilberedningsmulighed er ideel til fedtfri grillning af kylling, pølser, koteletter, kebab, fisk eller grøntsager. Til denne type madlavning skal du bruge grillpladen.

Forsigtig: Bemærk venligst, at når du tilbereder fedt kød, kan der sprøjte noget fedt på enheden, hvilket kan forårsage opblussen. Vær forsigtig, når du håndterer sådant kød. Tilberedningstemperaturerne kan nemt justeres, så de passer til dine egne behov ved at dreje på kontrolknappen for at regulere temperaturen.

**Stegning:** Denne mulighed er ideel til røgte fritter, fisk, morgenmad, pandekager, rejer, paella og grøntsager. Til denne type madlavning skal du bruge den flade grill. Bemærk venligst, at da den er en lav pande, er den ikke egnet til friturestegning. Den nemme at rengøre overflade tilskynder til minimal brug af fedt til sund madlavning.

**Kogning:** Til denne type madlavning skal du placere grydestativet i dets placeringsriller og sikre, at det sidder korrekt. Placer en passende gryde (ikke mindre end 180 mm i diameter og ikke mere end 250 mm i diameter). En liter vand vil koge på cirka 6 minutter afhængigt af forholdene, størrelsen på den brugte gryde osv. Brug forrunder i tilfælde af blæsende forhold.

**Bemærk:** Når du bruger små gryder, skal du ikke forsøge at bruge gryder med plastikhåndtag, da disse kan blive ekstremt varme.

**Paella:** Denne tilberedningsmulighed er ideel til at tilberede paellaer, risottoer, pastaretter, traditionel morgenmad osv. Paella Pan 30 er lavet af højkvalitetsmateriale højkvalitets presset aluminium, der giver fremragende varmefordeling og fastholdelse.

**Kaffe:** Denne mulighed er ideel til at brygge en varm kop kaffe. Ideel til enhver tid, ethvert sted, hvor som helst.

## 6. Rengøring

- Det anbefales at rengøre enheden efter hver gang, den har været i brug. Dette vil forlænge enhedens levetid.
- Lad apparatet køle af, før du rengør det.
- Brug en fugtig klud opvredet i en opløsning af sæbevand til at rengøre udvendige overflader.
- Selve enhedens korpus rengøres ved at tørre den af med en fugtig klud, og nødvendigt med lidt rengøringsmiddel på.
- NEDSÆNK IKKE I VAND da det vil betyde at der kan trænge vand ind i brænderrøret og medføre at enheden ikke fungerer rigtigt.
- Grillpladen er belagt med en sej, holdbar non-stick keramisk belægning, der er blevet brugt med stor succes på nogle af de bedste køkkenredskaber i verden. Ikke desto mindre kan pleje af det hjælpe dig med at nyde mange års sund, nem, non-stick madlavning.
- Mens den keramiske non-stick belægning er meget holdbar, kan den let blive beskadiget ved brug af metalgøredskaber. Det anbefales derfor, at der kun bruges plast- eller træredskaber ved madlavning.
- Lad altid grillen/pladen køle af, før den nedsænkes i vand.
- Sørg for, at der ikke kommer vand ind på brænderne eller pilot-/lysområdet. Tør apparatet helt tørt før brug.
- Brug ikke slibende rengøringsmidler, da de kan beskadige overfladerne.
- Rengør apparatet efter hver brug. Efter rengøring genbehandles kogefladen let med olie.
- Brug ikke højtryksdampudstyr eller en vandstråle til at rengøre apparatet.
- Bemærk: Ved genstridige pletter kan CADAC ovenrens bruges.

## 7. Opbevaring

- Lad altid enheden køle af og rengøres før opbevaring.
- Sluk for gasforsyningen til apparatet, afbryd og fjern gasforsyningen fra apparatet.
- Opbevar aldrig et apparat med tilsluttet gasforsyning, dette er en usikker praksis.
- Opbevar apparatet og gasforsyningen i et godt ventileret område væk fra brændbare materialer. Opbevaring af cylindere skal helst være udedørs og må IKKE være i en kælder.

## 8. Vedligeholdelse og fejlfinding

### **Vedligeholdelse**

- Hvis du rengør og vedligeholder dit apparat regelmæssigt, forlænges dit apparats levetid, og risikoen for problemer mindskes.
- Dette apparat kræver ikke planlagt vedligeholdelse.
- Dette apparat må kun serviceres af en autoriseret person.
- Kontroller regelmæssigt din gasslange og tilslutninger for tegn på utætheder, og hver gang gasflasken genfyldes eller monteres på apparatet ved hver brug.

### **Fejlfinding**

I tilfælde af en sprøjtede flamme eller en blokeret stråledyse:

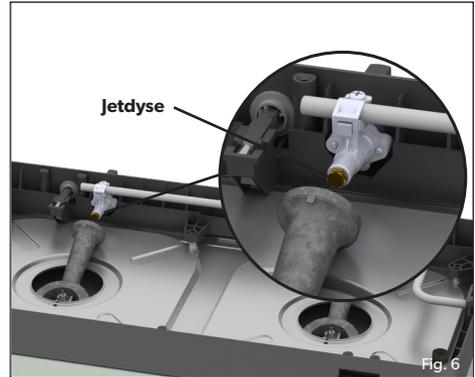
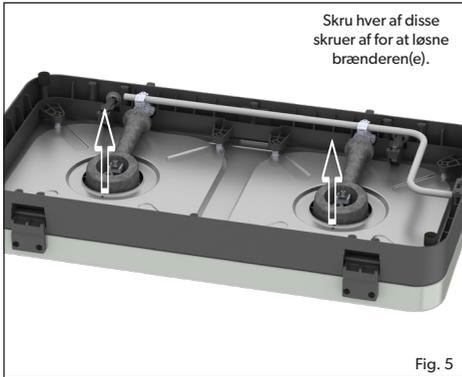
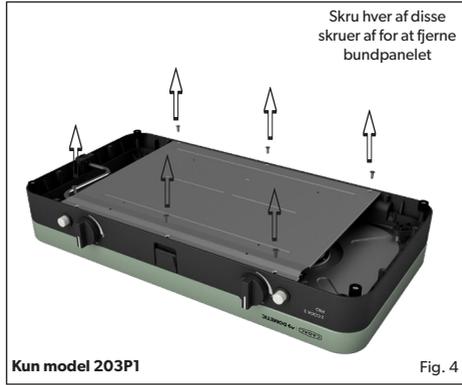
- Rengør din brænderport i tilfælde af spild.  
Vi anbefaler at rense eller udskifte dysen hver sjette (6) måned for at sikre fortsat effektiv drift af dit apparat.
- Hvis apparatet fungerer unormalt efter opbevaring, og alle kontroller ikke har isoleret problemet, kan stråledysen være blokeret. En blokeret stråledyse indikeres med en svagere gullig flamme eller slet ingen flamme i ekstreme tilfælde. Under disse omstændigheder vil det være nødvendigt at fjerne og inspicere og grundigt rengøre fremmedlegemer, der måtte have samlet sig i apparatet.
- Dette kan gøres ved at fjerne stråledysen med standardværktøj og blæse snavs fra stråledysen, alternativt kan du købe nye stråledyser hos din lokale butik. Forsøg ikke at rense dysen mekanisk.

### **Udskiftning af en blokeret jetdys:**

- Dit apparat er udstyret med en specifik størrelse stråle for at regulere den korrekte mængde gas.
- Skulle hullet i stråledysen blive blokeret, kan det resultere i en lille flamme eller slet ingen flamme. Forsøg ikke at rense dysen med en stift eller anden sådan enhed, da dette kan beskadige åbningen, hvilket kan gøre apparatet usikkert.
- For at udskifte dysen:  
Fjern eventuelle kogeflader, luk låget og vend apparatet på hovedet. Skru forsigtigt bundpanelet af ved at fjerne skrue(r) (fig. 4). Skru skruen til den eller de berørte brænder(e) af (fig. 5), løs forsigtigt og slip brænderen som vist for at blotlægge strålen. Bemærk at brænderen er tilsluttet piezo-kablet, efter udskiftning af strålemundstykket og genmontering skal du kontrollere, at dette kabel stadig er tilsluttet.  
Nu hvor jetdysen er synlig på ventilen, skal du fjerne dysen med en passende skruenøgle (Fig. 6).  
Brug ikke en tang til at fjerne dysen, da dette kan beskadige strålen og gøre den ubrugelig eller umulig at fjerne.  
Skru den nye stråle ind i ventilen. Spænd ikke for meget, da dette kan beskadige stråledysen.
- Vend ovenstående proces om for at samle enheden igen.

### **Udskiftning af slangen:**

- Monteringen af en slange er beskrevet i afsnit 2



## 9. Reservedele og tilbehør

- Brug altid originale reservedele da de er designet for å gi optimal ytelse

Reservedele		Tilbehør			
Vare	Varenr	Vare	Varenr		
	202-SP004		202-SP011		203-100
	202-SP012		202-SP020		203-900
	203P-SP001		203P-SP002		8640
	203P-SP003		203P-SP005		203-200
	203P-SP008		203P-SP011		203-300
	203P-SP015		203P-SP018		98326
	HM6-073 (Jet 0.73 28-30 mbar) HM6-069 (Jet 0.69 37mbar) HM6-064 (Jet 0.64 50mbar)		203P-SP012		
	203P-SP023				

## 10. Garanti

CADAC Europe BV garanterer herved DEN OPRINDELIGE KØBER af dette CADAC Europe BV gasapparat, at det er fri for fejl i materiale og fremstilling fra købsdato som følger:

Ventiler:	2 år
Plastikdele:	Ingen garanti
Trykstøbning	1 år
Emaljedele:	2 år
Brændere:	1 år

Garantien gælder alene hvis apparatet er blevet samlet og betjent i henhold til de trykte instruktioner.

CADAC Europe BV kan forlange rimelige beviser for apparatets købsdato. DU SKAL DERFOR ALTID OPBEVARE DIN KØBSKVITTERING ELLER FAKTURA.

Denne begrænsede garanti er begrænset til reparation eller udskiftning af dele, der viser sig at være defekte under normal brug og service og som, efter undersøgelse, indikerer, til CADAC Europe BVs tilfredshed, at de er defekte. Før returnering af dele skal du kontakte kundeservice i dit område via den information, der forefindes i din brugsanvisning. åfremt CADAC Europe BV bekræfter defekten og godkender dit krav, vil CADAC |Europe BV vælge at udskifte delene uden beregning. CADAC Europe BV returnerer delene til køber, porto og fragt betalt.

Denne begrænsede garanti dækker ikke fejl eller betjeningsproblemer, der skyldes uheld, misbrug, forandringer, forkert samling, vandalisme, forkert installation eller forkert vedligeholdelse eller service, eller unddelelse af at foretage normal og regelmæssig vedligeholdelse, inklusive, men ikke begrænset til skader, forårsaget af insekter i brænderrør, som beskrevet i denne brugsanvisning. Forvritning eller skader på grund af strenge vejrforhold såsom hagl, orkaner, jordskælv, tornadoer, misfarvning på grund af udsættelse for kemikalier enten direkte eller i atmosfæren er ikke dækket af denne begrænsede garanti.

Der udtrykkes ikke andre garantier end her beskrevet og enhver antydte garanti for salgbarhed og/eller egnethed er begrænset i varighed til den dækningsperiode, der udtrykkeligt er anført i denne begrænsede garanti. Nogle regioner tillader ikke begrænsninger for hver længe en antydte garanti varer, så denne begrænsning eventuelt ikke er gældende for dig.

CADAC Europe BV er ikke ansvarlige for nogen form for specielle, indirekte eller følgeskader. Nogle regioner tillader ikke eksklusion eller begrænsning af uheld og følgeskader, hvorfor denne begrænsning eller eksklusion eventuelt ikke er gældende for dig.

CADAC Europe BV godkender ikke nogen person eller noget firma til at overtage nogen form for forpligtelser eller garanti i forbindelse med salg, installation, brug, fjernelse, returnering eller udskiftning af udstyr og ingen sådanne repræsentationer er bindende for CADAC Europe BV.

Denne garanti gælder kun for produkter, solgt i detailhandelen.

For at nyde og sikre dit apparats lange levetid, skal du følge afsnittet om rengøring og vedligeholdelse i denne vejledning.

## Explicación de los símbolos



¡Reciclado de material de embalaje. Coloque el material de embalaje en los contenedores de residuos de reciclaje apropiados siempre que sea posible.

**PRECAUCIÓN**

¡Sólo para usar al aire libre!

¡Este aparato no se puede utilizar en lugares cerrados como un balcón exterior, un porche o una zona de entretenimiento!

**IMPORTANTE**

Lea las instrucciones de uso con cuidado para familiarizarse con el aparato antes de conectarlo al recipiente de gas. Guarde estas instrucciones para futura referencia.

**1. Información de seguridad**

Estas instrucciones son para su seguridad y para ayudarlo a evitar el riesgo de lesión y/o daño. Todas las garantías se caducarán si usted no sigue estas instrucciones.

- Este aparato cumple con las normas BS EN 484.
- Los aparatos de gas requieren ventilación para un rendimiento eficiente y para garantizar la seguridad de los usuarios y otras personas en las inmediaciones. No utilice el aparato en un área sin ventilación. Está diseñado solo para uso en exteriores.
- La habitación donde se usa este aparato debería tener una ventana o una puerta que pueda abrirse total o parcialmente durante el uso. Si no hay una ventana o puerta disponible para la ventilación de la habitación, se debe instalar ventilación extra para su seguridad.
- Asegúrese de usar el aparato en una zona bien ventilada.
- **ADVERTENCIA: LAS PIEZAS ACCESIBLES PUEDEN ESTAR MUY CALIENTES. MANTENGA A LOS NIÑOS PEQUEÑOS ALEJADOS.**
- Lea estas instrucciones antes de utilizar el aparato.
- **¡Usar en exteriores solamente!**

**Montaje y uso**

- No use el dispositivo si tiene sellos dañados o desgastados.
- No utilice un aparato con pérdida, dañado o que no funcione correctamente.
- Maneje el aparato con cuidado, no lo deje caer.
- Siempre opere el aparato sobre una superficie firme y nivelada.
- Asegúrese de que el producto armado quede estable y que no se balancee.
- Este aparato no es adecuado para su instalación o conexión a un suministro de gas principal.
- Asegúrese de que el aparato se utilice lejos de materiales inflamables. Las distancias mínimas seguras son: Sobre el aparato: 120cm, en la parte posterior y en los lados: 60cm (fig. 1a).
- Al usar una olla, el tamaño mínimo recomendado de la olla es de 180mm y el tamaño máximo recomendado es de 250mm.
- No utilice ninguna superficie de cocción u olla que sea más grande que el tamaño recomendado. Nuestras superficies de cocción han sido diseñadas específicamente para permitir que escape la combustión de gas y el cierre de este espacio podría afectar el rendimiento de este electrodoméstico.
- No modifique este aparato, cualquier modificación puede ser peligrosa. No lo utilice para nada para lo que no haya sido diseñado.
- No mueva el aparato mientras lo esté utilizando.
- No deje nunca el aparato sin atender cuando esté encendido.
- Durante el uso, las partes del aparato se calienta (particularmente el quemador). Evite tocar las partes calientes con las manos sin protección. Se recomienda el uso de manoplas de cocina.
- Asegúrese de que todas las superficies de cocción/soportes para ollas estén colocados correctamente cuando utilice el aparato.
- La unidad viene con un práctico estuche de transporte.

**Manguera**

- Debe verificarse la manguera y el sello en el regulador para detectar desgaste o daños antes de cada uso y antes de la conexión con el cilindro de gas.
- No utilice el aparato si la manguera está dañada o desgastada. Reemplace la manguera.
- No retuerza ni aplaste la manguera.
- La longitud de la manguera no debe ser menor de 0.8m y no superará 1.2m. Sustituya la manguera cuando esté dañada o muestre signos de sequedad o resquebrajamiento.

**Contenedor de gas**

- El gas se suministra a la unidad a través de una manguera y un regulador. La manguera y el regulador se pueden conectar a una botella de gas o a un Power Pak, que es un dispositivo que lleva dos o más cartuchos de gas. Nota: la manguera, el regulador y el Power Pak no se suministran con el aparato.
- **INTENTAR AJUSTAR OTROS TIPOS DE CILINDROS DE GAS O CARTUCHOS DE GAS (UTILIZADOS JUNTO CON EL POWER PAK) PUEDE SER PELIGROSO.**
- Este aparato solo debe usarse con una manguera y un regulador aprobados.
- Solo para ser usado con un cilindro de gas que no exceda las 500mm de altura (sin incluir el regulador) y 400mm de ancho.
- Asegúrese de que el cilindro de gas esté bien fijo o cámbielo a un área bien ventilada, preferentemente en el exterior, lejos de cualquier fuente de ignición como por ejemplo, llamas abiertas y lejos de otras personas.
- Mantenga los cilindros de gas lejos del calor y las llamas. No lo coloque sobre una estufa o sobre ninguna otra superficie caliente.
- Los contenedores recargables deben usarse solo en posición vertical para garantizar la extracción adecuada del combustible. El incumplimiento de esto puede causar la descarga de líquido del contenedor de gas, lo que resulta en condiciones de funcionamiento peligrosas.
- No intente retirar el contenedor de gas mientras el aparato está en funcionamiento.
- El contenedor de gas debe desconectarse del aparato después de su uso o durante el almacenamiento.

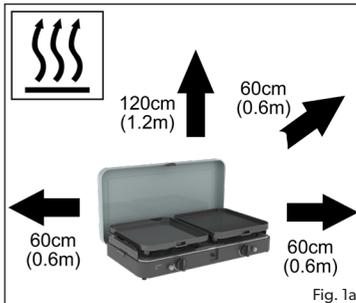


Fig. 1a

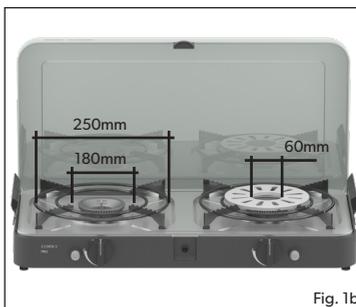


Fig. 1b

**Retroceso de la llama**

- En el caso de retroceso de la llama (cuando la llama retrocede y se enciende en la boquilla), apague inmediatamente el suministro de gas cerrando la válvula de control en el cilindro de gas y luego la válvula del aparato. Después de que se extinga la llama, quite el regulador y revise la condición de su sello. Sustituya el sello si tiene dudas. Vuelva a encender el aparato. Si se producen retrocesos de las llamas en forma persistente, devuelva el producto a su agente de reparación autorizado.

**Fugas**

- Si hay una pérdida en su aparato (olor a gas), apague el suministro de gas, en primer lugar en el cilindro de gas y luego en su aparato girando las perillas respectivas totalmente en el sentido de las agujas del reloj. Sáquelos afuera inmediatamente a un lugar bien ventilado y sin llamas donde se pueda detectar y detener la pérdida. Si desea revisar el aparato para ver si hay pérdidas, hágalo al aire libre. No intente detectar pérdidas utilizando fuego, utilice agua jabonosa.

**Cómo comprobar que el aparato está conectado correctamente al suministro de gas**

- Es importante que todas las conexiones de gas estén correctamente conectadas para evitar cualquier pérdida de gas.
- La forma correcta es empapar las juntas con agua jabonosa. Si se forman burbujas, entonces hay una pérdida de gas. Apague inmediatamente el suministro de gas, primero cerrando la válvula de control en el cilindro de gas y luego la válvula del aparato; revise que todas las conexiones estén adecuadamente ajustadas. Vuelva a revisar utilizando agua jabonosa. Si persiste la pérdida de gas, devuelva el producto a su distribuidor de CADAC Europe BV para inspección / reparación.
- Si persiste la fuga de gas, devuelva el producto a su distribuidor local para su inspección/reparación.

<b>País de uso</b>	BE, CH, CY, CZ, ES, FR, GB, GR, IE, IT, LT, LU, LV, PT, SK & SI		PL	BE, CY, DK, EE, FR, FI, HU, IT, LT, NL, NO, SE, SI, SK, RO, HR, TR, BG, IS, LU, MT, & ZA	AT, CH, DE & SK
<b>Categorías del aparato</b>	I <sub>3</sub> +(28-30/37)		I <sub>3B</sub> /P (37)	I <sub>3B</sub> /P (30)	I <sub>3B</sub> /P (50)
<b>Gases permitidos</b>	Butano-30	Propano-G31	Butano-G30, Propano-G31 o su mezcla		
<b>presión de funcionamiento</b>	28-30mbar	37mbar	37mbar	28-30mbar	50mbar
<b>Número de la boquilla</b>	0.73		0.69	0.73	0.64
<b>Uso nominal</b>	Butano - 160g/h por quemador (160g/h x 2 = 320g/h en total)		Butano - 160g/h por quemador (160g/h x 2 = 320g/h en total)	Butano - 160g/h por quemador (160g/h x 2 = 320g/h en total)	Butano - 160g/h por quemador (160g/h x 2 = 320g/h en total)
<b>Entrada de calor nominal bruta</b>	2.2kW por quemador (2.2kW x 2 = 4.4kW en total)		2.2kW por quemador (2.2kW x 2 = 4.4kW en total)	2.2kW por quemador (2.2kW x 2 = 4.4kW en total)	2.2kW por quemador (2.2kW x 2 = 4.4kW en total)

**Abreviaturas de nombres de países**

AE = Emiratos Árabes Unidos	AL = Albania	AT = Austria	BE = Bélgica	CH = Suiza
CZ = República checa	DE = Alemania	DK = Dinamarca	ES = España	FI = Finlandia
FR = Francia	GB = Reino Unido	GR = Grecia	HR = Croacia	IT = Italia
JP = Japón	KR = Corea	NL = Países Bajos	NO = Noruega	PL = Polonia
PT = Portugal	RO = Rumania	RU = Rusia	RS = Serbia	SI = Eslovenia
SK = Eslovaquia	SE = Suecia	TR = Turquía	ZA = Sudáfrica	

**I 3B/P (30), I 3+ (28-30/37) e I 3B/P (37), categorías de aparatos: (DK, FI, NO, NL, SE, AT, DE, BE, ES, FR, IE, TI, PT, GB, CH)**

Empuje una manguera aprobada en la cola de la válvula hasta que esté correctamente asentada. En el otro extremo, conecte un regulador de baja presión adecuado.

I3B/P(30) : Regulador de configuración de butano de 30 mbar o regulador de configuración de propano de 30 mbar o regulador de configuración de mezcla de butano/propano de 30 mbar.

I3B/P(37) : Regulador de configuración de butano de 37 mbar o regulador de configuración de propano de 37 mbar o regulador de configuración de mezcla de butano/propano de 37 mbar.

I3+(28-30/37) : Regulador de configuración de butano de 30 mbar o regulador de configuración de propano de 37 mbar.

Una vez más, asegúrese de que la manguera esté correctamente asentada. El tipo de manguera utilizada deberá cumplir con la norma EN pertinente y el requisito de localización.

**I 3B/P (50) Categoría de aparato: (AT, DE, CH, SK)**

I3B/P(50) : Regulador de configuraciones de butano de 50 mbar o Regulador de configuraciones de propano de 50 mbar o Regulador de configuraciones de mezcla de butano/propano de 50 mbar.

Atornille una manguera con los accesorios roscados correctos en cada extremo, en la rosca izquierda de 1/4" BSP de la válvula. Conecte un regulador de baja presión de 50 mbar adecuado en el extremo de la manguera. El conjunto de manguera utilizado debe cumplir con DIN 4815 parte 2 o equivalente.

## 2. Colocación y cambio del cilindro de gas

### Conexión del suministro de gas

- Antes de conectar el aparato a un suministro de gas, asegúrese de que el sello de goma en el regulador esté en posición y en buenas condiciones.
- Antes de conectar la manguera y el regulador al aparato, verifique que la perilla de control del aparato esté en la posición "OFF".
- Realice esta comprobación cada vez que coloque el aparato en una botella de gas.
- Sople el polvo de la abertura de suministro de gas para evitar un posible bloqueo del chorro.
- Instale una manguera y un regulador aprobados en el aparato.
- Asegúrese de que el suministro de gas (cilindro de gas/ cartucho de gas) esté instalado en un lugar bien ventilado lejos de cualquier fuente de ignición, como llamas abiertas y lejos de otras personas.
- No retuerza ni pellizque la manguera. Asegúrese de que esté alejado del cuerpo de la estufa para evitar el deterioro o daño de la manguera causado por el calor.
- Asegúrese de que el cilindro de gas se mantenga en posición vertical en todo momento, conéctelo al cilindro atornillándolo con la mano hasta que encaje completamente.
- Asegúrese de que se haya hecho un sello de gas completo (verifique el olor a gas alrededor de la junta de conexión). No compruebe si hay fugas con una llama desnuda. Utilice únicamente agua jabonosa templada, aplicada en las juntas y conexiones del aparato. Cualquier fuga aparecerá como burbujas alrededor del área de fuga.
- Si no puede corregir la fuga de gas, no utilice el aparato. Si tiene dudas, póngase en contacto con su distribuidor más cercano.

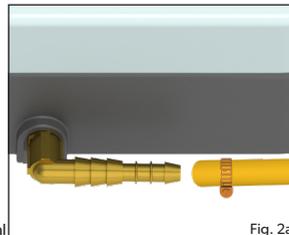


Fig. 2a



Fig. 2b

### Cómo desconectar y cambiar el suministro de gas

- Después de su uso, gire la perilla de control del aparato a la posición "OFF" y cierre el suministro de gas.
- Cuando necesite reemplazar su cilindro vacío, asegúrese de que el gas esté cerrado en la válvula del cilindro.
- No fume mientras cambia el cilindro.
- Retire el regulador del cilindro vacío.
- Conecte el regulador al cilindro lleno, consulte las instrucciones anteriores sobre cómo conectar el suministro de gas.
- Aplique los mismos procedimientos de cuidado y verificación que si estuviera colocando un cilindro de gas nuevo.

### Cómo verificar si su cilindro de gas está vacío

- La manera más fácil de verificar si tiene poca gasolina es levantando su cilindro de gasolina.
- Si cree que su cilindro de gas se siente un poco más liviano de lo que le gustaría, pesar el cilindro es una excelente manera de ver cuánto gas queda. La mayoría de los cilindros tendrán el peso vacío estampado en el cuello o en el anillo del pie, y si el peso indicado en el sello y el peso de su cilindro son iguales, se quedó sin gasolina. Luego puede aproximar la cantidad de gas que le queda por la diferencia de peso.

## 3. Funcionamiento del aparato

- Cuando opere este aparato, asegúrese de que todas las piezas estén en buen estado de funcionamiento y de que haya verificado que no haya fugas de gas antes de encender el aparato con cada uso.
- Las superficies de cocción se pueden colocar fácilmente y están listas para usar. No requiere montaje.
- **POR FAVOR, TENGA EN CUENTA:** asegúrese de quitarle al aparato todo el embalaje protector y el plástico antes de usarlo.
- El aparato fue diseñado para usar con recipientes de cocina que no debe ser menos de 180mm de diámetro y que no excedan los 250mm de diámetro.

### Precauciones a observar antes del encendido.

- Utilice este aparato únicamente sobre una superficie firme y nivelada.
- Después de un almacenamiento prolongado, inspeccione el aparato en busca de insectos y telarañas que puedan afectar el flujo de gas.

### Encendiendo el dispositivo usando el piezo

- Se recomienda quitar cualquier superficie de cocción cuando se intente encender el aparato, para que sea más fácil ver cuando el quemador está encendido.
- Para encender el aparato usando el encendedor piezoeléctrico, presione y gire la perilla de control 90° en sentido antihorario, luego presione el botón piezoeléctrico para encender el gas (vea la Fig. 3). Si el gas no se enciende con la primera chispa, gire la perilla de control nuevamente a la posición "OFF". Vuelva a intentarlo, presionando y girando la perilla de control en sentido antihorario y presionando el botón piezoeléctrico para encender el gas. Si el gas no se ha encendido dentro de los primeros dos o tres segundos, la válvula de control debe cerrarse girando la perilla de control a la posición "OFF".
- Espere aproximadamente treinta segundos para dejar escapar el gas acumulado dentro del quemador. Repita el proceso anterior, si es necesario, hasta que se encienda la llama. La llama normalmente debería encenderse dentro de los primeros uno o dos segundos.



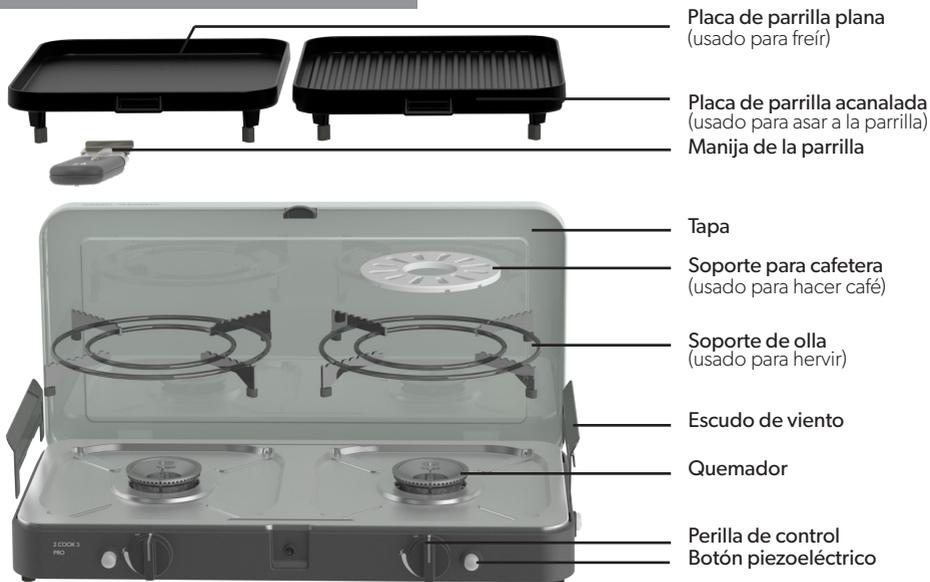
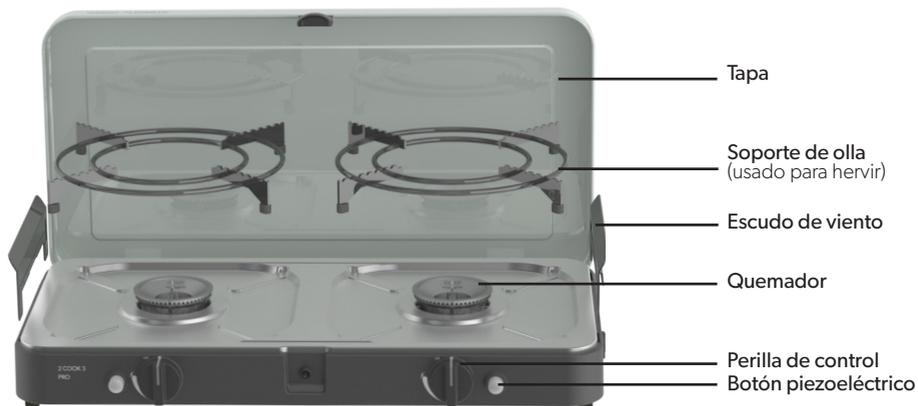
Fig. 3

### Encendido con encendedor de barbacoa

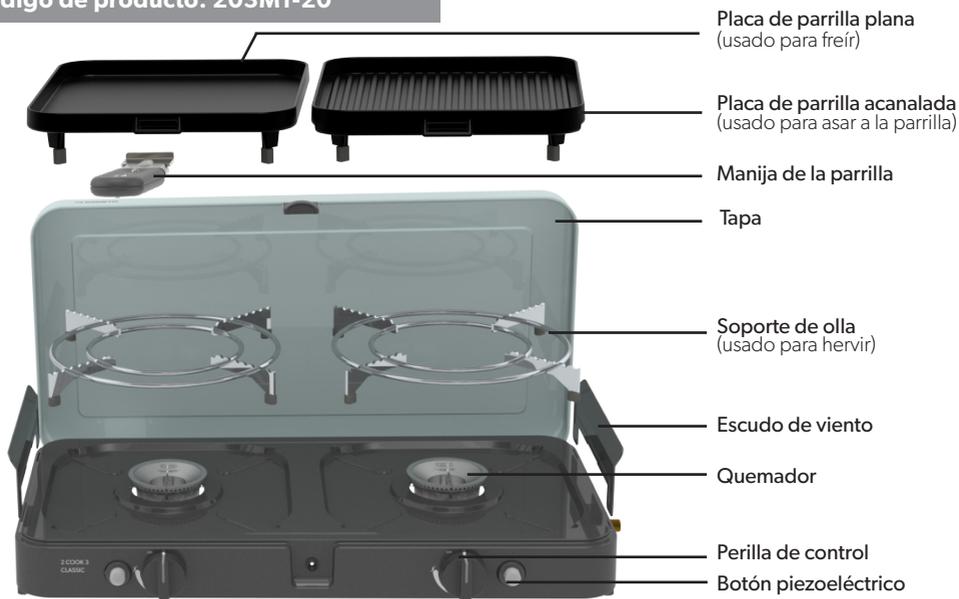
- En caso de arranque en frío, el aparato se puede encender desde arriba antes de instalar la placa de cocción deseada. Cuando encienda un aparato caliente, se recomienda hacerlo insertando un encendedor de barbacoa a través de uno de los orificios de ventilación debajo del quemador hasta que quede al ras con el quemador (NO coloque el encendedor de barbacoa a través del orificio grande justo debajo del quemador). Encienda el encendedor de barbacoa. Mientras el encendedor de barbacoa está encendido, presione y gire la perilla de control en sentido antihorario para encender el quemador.

**General**

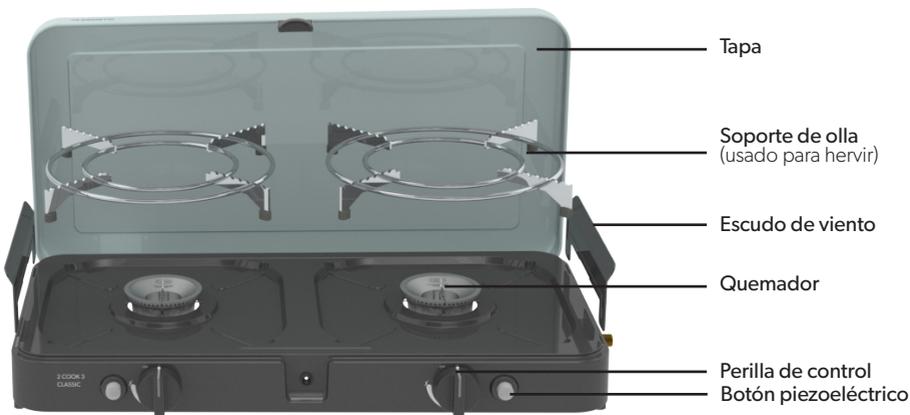
- Cuando el aparato está encendido, la intensidad de la llama se puede ajustar girando la perilla de control en el sentido contrario a las agujas del reloj para disminuir la llama o en el sentido de las agujas del reloj para aumentar la llama.
- Cuando cocine alimentos con un alto contenido de grasa, pueden ocurrir destellos si el ajuste de calor seleccionado es demasiado alto. Si esto sucede, baje el fuego hasta que se detenga la llamarada.
- No mueva el aparato cuando esté en uso. Es una práctica insegura mover el aparato mientras está encendido y puede causar llamaradas.
- Después del uso, primero cierre la válvula de control en el cilindro de gas (si corresponde). Cuando la llama se apague, cierre la válvula de control del aparato.

**4. Lista de componentes****Código de producto: 203P1-20****Código de producto: 203P1-10**

**Código de producto: 203M1-20**



**Código de producto: 203M1-10**



Los siguientes no están incluidos y se venden por separado. Pregunte a su distribuidor local por disponibilidad.



Soft Soak 2 Cook



Paella Pan 30  
(usado para Paella/  
Freír)



Soporte para cafetera  
(Estándar con  
modelo 203P1-20)



Placa de parrilla  
acanalada  
(con mango de  
parrilla)



Placa de parrilla  
plana  
(con mango de  
parrilla)

## 5. Opciones de cocción GreenGrill

### GreenGrill Cocinando

La mayoría de las superficies de cocción tienen nuestro recubrimiento GreenGrill. Este recubrimiento cerámico está completamente libre de PFOA; no contiene sustancias tóxicas y garantiza una cocción más sana!

#### PREPARACIÓN Y USO

- Para 'sazonar' la superficie de cocción: antes de usar la placa de cocción por primera vez, puede sazonar para darle a la placa de cocción una fina capa protectora que evite que los alimentos se peguen. No es obligatorio pero lo recomendamos. Es muy fácil: frote ligeramente aceite de cocina en la superficie, luego colóquelo a fuego medio durante 2-3 minutos. Cuando esté fría, lave la superficie de cocción con agua jabonosa antes de usarla y engrásela ligeramente con un poco de aceite (aceite de cocina de su elección, por ejemplo, aceite de girasol). ¡Eso listo para funcionar!
- Nota: El revestimiento GreenGrill conduce mejor el calor que los productos con un revestimiento antiadherente normal (PTFE). Por lo tanto, recomendamos usar solo el 75% de la potencia a la que está acostumbrado.
- Nunca deje la superficie de cocción sobre la fuente de calor sin aceite. Aplique una fina capa de aceite con una toalla de papel de cocina o un cepillo antes de colocar la superficie de cocción sobre la fuente de calor. Asegúrese de haber engrasado todas las piezas, por ejemplo, una parrilla de barbacoa también incluye bordes elevados.
- Recomendamos freír en aceite de girasol o aceite de colza debido al alto punto de ebullición. El aceite de oliva puede tener un punto de ebullición relativamente bajo, lo que puede hacer que los ingredientes se peguen a la sartén o se quemen. Por lo tanto, no recomendamos el uso de aceite de oliva. Consejo: lleve la carne o el pescado a temperatura ambiente antes de freírlos. Esto evitará que se pegue a la superficie de cocción.
- Utilice siempre utensilios de silicona y/o madera para evitar dañar el recubrimiento GreenGrill. Nunca use utensilios de metal ya que esto puede dañar el revestimiento.

#### LIMPIEZA

- Deje que la superficie de cocción se enfríe antes de limpiarla. Los cambios extremos de temperatura pueden causar la deformación de la superficie de cocción.
- El recubrimiento GreenGrill es 'Easy Clean'. El agua jabonosa tibia con una esponja suave es suficiente para limpiar las superficies de cocción con revestimiento GreenGrill. Evite los estropajos o la lana de acero.
- Si la superficie de cocción tiene restos de comida de un uso anterior, se pueden adherir al revestimiento, lo que puede provocar manchas marrones. En estos lugares, los ingredientes pueden adherirse a la superficie de cocción porque ya no se alcanza el recubrimiento. Asegúrese de que estas manchas se eliminen correctamente antes de usar.
- En el caso de manchas o residuos persistentes en la paellera o la sartén, puede intentar remojarlos durante la noche en agua jabonosa caliente o usar el "método del vinagre": vierta una capa de vinagre en la sartén y caliente ligeramente la sartén. El vinagre no tiene que hervir y ciertamente no debe evaporarse por completo. Vierta el vinagre de la sartén, limpie la sartén con agua jabonosa y la sartén estará como nueva  
Nota: calentar el vinagre puede desprender un olor desagradable.
- CADAC | DOMETIC Soft Soak (se vende por separado) es el producto complementario ideal para facilitar el remojo durante la noche. Al usar el remojo suave, recomendamos colocar la superficie de cocción boca abajo, lo que permite un remojo máximo y también usa menos agua.
- Tenga en cuenta que en el caso de usar el Soft Soak 2 Cook, puede remojar ambas rejillas simultáneamente. Para ello, coloque una parrilla con la cara de cocción hacia arriba y la otra hacia abajo como se ve en las imágenes.
- Cualquier mancha persistente que quede después del remojo se puede aflojar y quitar con el cepillo suave. Para remojo CADAC | DOMETIC (se vende por separado).
- ¡Seca con un paño suave y listo!

#### MANTENIMIENTO

- Recomendamos añadir un poco de aceite a la superficie de cocción después de limpiarla y extenderla con papel de cocina. El aceite sella la superficie del aire exterior y la humedad. También asegura que la comida no se queme en la superficie.
- Coloque la superficie de cocción en una bolsa de plástico antes de colocarla en su bolsa de almacenamiento para asegurarse de que la bolsa de almacenamiento permanezca limpia y sin aceite.
- La bolsa de almacenamiento evita daños en el recubrimiento GreenGrill y en su product.



Remojar con Soft Soak 2 Cook  
(Parrillas no incluidas)



Soft Soak Brush

### Opciones de cocción

- Estas son las opciones de cocción disponibles.

**Asar a la parrilla:** esta opción de cocción es ideal para asar a la parrilla sin aceite pollo, salchichas, chuletas, kebabs, pescado o verduras. Para este tipo de cocción, utilice la 'placa grill'.

**Precaución:** Tenga en cuenta que cuando cocine carnes grasosas, un poco de grasa salpicará la unidad, lo que puede causar llamaradas. Tenga cuidado al manipular este tipo de carnes. Las temperaturas de cocción se ajustan fácilmente para adaptarse a sus propios requisitos girando la perilla de control para regular el grado de calor.

**Fritura:** Esta opción es ideal para salteados, pescados, desayunos, tortitas, gambas, paella y verduras. Utilice la parrilla plana para este tipo de cocción. Tenga en cuenta que, como sartén poco profunda, solo es adecuada para freír a poca profundidad. La superficie fácil de limpiar fomenta el uso mínimo de grasa para una cocina saludable.

**Hirviendo:** Para este tipo de cocción, coloque el soporte de la olla en sus ranuras de ubicación asegurándose de que esté bien asentado. Use una olla adecuada (no menos de 180mm de diámetro y no más de 250mm de diámetro). Un litro de agua hervirá en aproximadamente 6 minutos dependiendo de las condiciones, tamaño de la olla utilizada, etc.

**Nota:** Cuando use ollas de tamaño pequeño, no intente usar ollas con mangos de plástico, ya que pueden calentarse mucho.

**Paella:** Esta opción de cocción es ideal para preparar paellas, risottos, platos de pasta, desayunos tradicionales, etc. La Paella Pan está fabricada en aluminio prensado de alta calidad que permite una excelente distribución y retención del calor.

**Café:** Esta opción es ideal para preparar una taza de café caliente. Ideal para cualquier momento, en cualquier lugar.

## 6. Limpieza

- Se recomienda limpiar su aparato después de cada uso. Esto prolongará la vida de su aparato.
- Deje que el aparato se enfríe antes de limpiarlo.
- Utilice un paño húmedo escurrido en una solución de agua jabonosa para limpiar las superficies exteriores.
- Para limpiar el cuerpo de la cocina, simplemente limpie con un paño húmedo con un poquito de detergente, si fuera necesario.
- **NO DEBE SUMERGIR EN AGUA** ya que esto permitirá que el agua entre en el tubo del quemador provocando el mal funcionamiento del aparato.
- La placa de la parrilla está recubierta con un resistente recubrimiento antiadherente de cerámica duradero que se ha utilizado con gran éxito en algunos de los mejores utensilios de cocina del mundo. Sin embargo, cuidarlo puede ayudarlo a disfrutar de años adicionales de una cocina saludable, fácil y antiadherente.
- Aunque el recubrimiento cerámico antiadherente es muy duradero, puede dañarse fácilmente con el uso de utensilios metálicos. Por lo tanto, se recomienda que solo se utilicen utensilios de plástico o madera para cocinar.
- Siempre permita que la parrilla/placa plana se enfríe antes de sumergirla en agua.
- Asegúrese de que no entre agua en los quemadores o en el área del piloto/luz. Seque completamente el aparato antes de usarlo.
- No utilice limpiadores abrasivos ya que pueden dañar las superficies.
- Limpie el aparato después de cada uso. Después de la limpieza, reacondicione la superficie de cocción ligeramente con aceite y un paño.
- No utilice ningún equipo de vapor a alta presión o un chorro de agua para limpiar el aparato.
- Nota: Para las manchas difíciles, se puede usar el limpiador de hornos CADAC.

## 7. Almacenamiento

- Deje siempre que la unidad se enfríe y se limpie antes de guardarla.
- Cierre el suministro de gas al aparato, desconecte y retire el suministro de gas del aparato.
- Nunca almacene un aparato con el suministro de gas conectado, esta es una práctica insegura.
- Guarde el aparato y el suministro de gas en un área bien ventilada lejos de materiales combustibles. El almacenamiento de cilindros debe ser preferiblemente al aire libre y NO debe estar en un sótano.

## 8. Mantenimiento y resolución de problemas

### **Mantenimiento**

- Si limpia y mantiene su electrodoméstico regularmente, la vida útil de su electrodoméstico se extenderá y la posibilidad de problemas disminuirá.
- Este aparato no requiere mantenimiento programado.
- Este aparato sólo debe ser reparado por una persona autorizada.
- Revise la manguera de gas y las conexiones con regularidad para detectar signos de fugas y cada vez que rellene el cilindro de gas o lo instale en el aparato con cada uso.

### **Resolución de problemas**

En caso de salpicadura de llama o bloqueo del chorro:

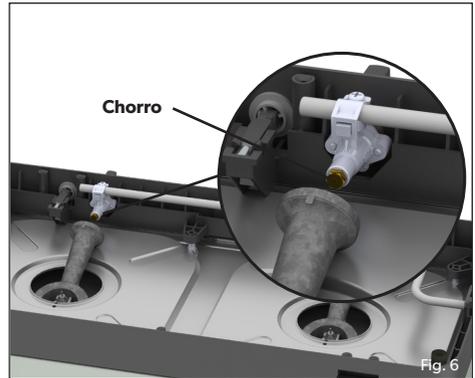
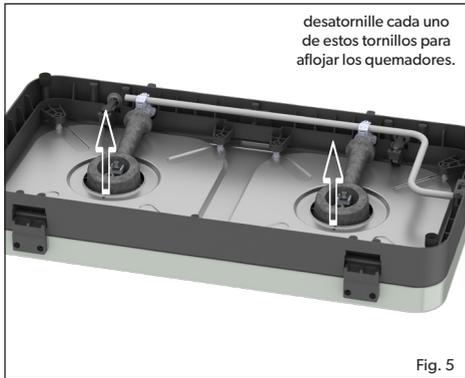
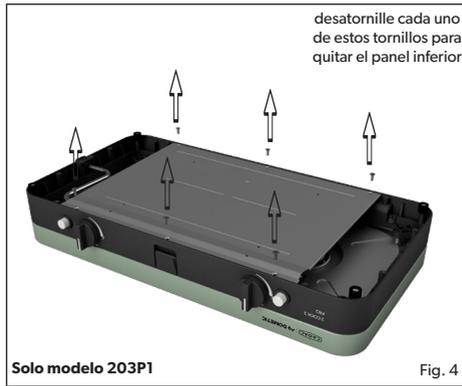
- Limpie los puertos de su quemador en caso de un derrame.
- Recomendamos limpiar o reemplazar la boquilla de chorro cada seis (6) meses para asegurar un funcionamiento continuo y eficiente de su electrodoméstico.
- Si el aparato funciona de manera anormal después del almacenamiento y todas las comprobaciones no han aislado el problema, la boquilla de chorro puede estar bloqueada. Un chorro bloqueado se indicaría con una llama amarillenta más débil o sin llama en casos extremos. En estas circunstancias, será necesario retirar, revisar y limpiar a fondo cualquier materia extraña que se haya podido acumular en el aparato.
- Esto se puede hacer quitando la boquilla de chorro con herramientas estándar y soplando cualquier residuo de la boquilla de chorro, como alternativa, puede comprar boquillas de chorro nuevas en su tienda local. No intente limpiar la boquilla de chorro mecánicamente.

### **Reemplazo de una boquilla de chorro bloqueada:**

- Su dispositivo está equipado con una boquilla de chorro de tamaño especial para regular la cantidad correcta de gas.
- Si la boquilla de chorro está obstruida, es posible que haya una llama pequeña o que no haya ninguna llama. No intente limpiar la boquilla de chorro con una aguja o dispositivo similar, ya que esto podría dañar la abertura y hacer que el dispositivo no sea seguro.
- **Para reemplazar la boquilla de chorro:**  
Retire todas las superficies de cocción, cierre la tapa y dé la vuelta al aparato.  
Desenrosque con cuidado el panel inferior quitando los tornillos (Fig. 4).  
Afloje el tornillo de los quemadores afectados (Fig. 5), afloje con cuidado el quemador y déjelo caer como se muestra para revelar la boquilla. Tenga en cuenta que el quemador está conectado al cable piezoeléctrico, después de reemplazar la boquilla de chorro y volver a montar, verifique que este cable aún esté conectado.  
La boquilla de chorro ahora se puede ver en la válvula, use una llave adecuada para quitar la boquilla (Fig. 6).  
No use alicates en la boquilla de chorro, ya que esto puede dañar la boquilla de chorro y dejarla inutilizable o imposible de quitar.  
Enrosque la nueva boquilla de chorro en la válvula. No apriete demasiado ya que esto puede dañar la boquilla de chorro.
- Proceda en orden inverso para volver a montar el dispositivo.

### **Reemplazo de la manguera:**

- El montaje de una manguera se describe en la Sección 2



## 9. Repuestos y Accesorios

- Utilice siempre repuestos originales, ya que han sido diseñados para ofrecer un rendimiento óptimo.

Repuestos		Repuestos		Accesorios	
Artículo	No. de repuesto	Artículo	No. de repuesto	Artículo	No. de accesorio
	202-SP004		202-SP011		203-100
	202-SP012		202-SP020		203-900
	203P-SP001		203P-SP002 (Negra)		8640
	203P-SP003		203P-SP005		203-200
	203P-SP008		203P-SP011		203-300
	203P-SP015		203P-SP018		98326
	HM6-073 (Chorro 0.73 28-30 mbar) HM6-069 (Chorro 0.69 37mbar) HM6-064 (Chorro 0.64 50mbar)		203P-SP012		
	203P-SP023				

## 10. Garantía

CADAC Europe BV le garantiza al COMPRADOR ORIGINAL de este aparato a gas CADAC Europe BV, que el mismo no tiene defectos en el material ni en la mano de obra, a partir de la fecha de compra, de la siguiente manera:

Válvulas:	2 años
Piezas plásticas:	Sin garantía
Fundido a presión	1 año
Piezas esmaltadas:	2 años
Quemadores:	1 año

La garantía sólo se aplicará si la unidad está armada y se utiliza de conformidad con las instrucciones impresas.

Es posible que CADAC Europe BV le exija una prueba razonable de la fecha de compra. **POR CONSIGUIENTE, USTED DEBE CONSERVAR EL COMPROBANTE DE VENTA O LA FACTURA.**

Esta garantía limitada se limitará a la reparación o el reemplazo de piezas que se compruebe que están defectuosas bajo uso y servicio normal y que al examinarlas se compruebe, para satisfacción de CADAC Europe BV, que están defectuosas. Antes de devolver cualquier pieza, comuníquese con un representante de atención al cliente en su región, utilizando la información de contacto que se proporciona en su manual. Si CADAC Europe BV confirma el defecto y aprueba el reclamo, elegirá reemplazar tales piezas sin cobrar. CADAC Europe BV le devolverá las piezas al comprador, mediante flete o por franqueo postal pagado.

Esta garantía limitada no cubre ninguna falla ni dificultad de funcionamiento debido a accidentes, abusos, mal uso, alteraciones, uso indebido, vandalismo, instalación o mantenimiento incorrecto o servicio incorrecto o la falta de realización del mantenimiento normal y de rutina, incluyendo aunque no limitándose solamente a daños causados por insectos dentro de los tubos de los quemadores, de acuerdo con lo explicado en el manual del usuario.

El deterioro o daño debido a condiciones climáticas extremas, tales como granizo, huracanes, terremotos o tornados, la decoloración provocada por la exposición a productos químicos, ya sea en forma directa o en la atmósfera, no están cubiertos por esta garantía limitada.

No existe otra garantía expresa excepto la estipulada en este documento y cualquier garantía implícita que se aplique en lo que respecta a la comerciabilidad y el buen estado, se limitan en duración al período de cobertura de esta garantía limitada expresa por escrito. Algunas regiones no permiten la limitación en lo que respecta al tiempo de duración de la garantía implícita, por eso es posible que esta limitación no se aplique a usted.

CADAC Europe BV no es responsable por ningún daño especial, indirecto o resultante como consecuencia. Algunas regiones no permiten la exclusión ni la limitación de los daños incidentales o resultantes como consecuencia. Por ese motivo es posible que esta limitación o exclusión no se aplique a usted.

CADAC Europe BV no autoriza a ninguna persona ni empresa a asumir por sí misma cualquier obligación o responsabilidad en relación con la venta, instalación, utilización, extracción, devolución o reemplazo de su equipo y cualquiera de dichas representaciones no es vinculante para CADAC Europe BV.

Esta garantía sólo se aplica a los productos vendidos al por menor.

Para disfrutar y garantizar la longevidad de su producto, por favor consulte la sección de limpieza y mantenimiento de este manual del usuario.

## Explication des symboles



Recyclage des matériaux d'emballage. Dans la mesure du possible, placez le matériel d'emballage dans les poubelles de recyclage appropriées.

Fournissez une ventilation suffisante. Cet appareil à gaz consomme de l'air (oxygène). N'utilisez pas cet appareil dans un espace non ventilé pour éviter de mettre votre vie en danger. Si d'autres appareils à gaz ou d'autres personnes utilisant du gaz sont ajoutés à l'espace en question, une ventilation supplémentaire doit être fournie.

**IMPORTANT**

Lisez ces instructions attentivement de manière à vous familiariser avec l'appareil avant de relier l'appareil à la bouteille de gaz. Conservez ces instructions pour pouvoir les consulter à l'avenir.

**1. Informations relatives à la sécurité**

Ces instructions sont destinées à assurer votre sécurité et à vous aider à éviter tout risque de blessure ou de dommage. Toutes les garanties seront nulles si vous ne suivez pas ces instructions.

- Cet appareil est conforme aux normes BS EN 484.
- Les appareils à gaz nécessitent une ventilation pour des performances efficaces et pour assurer la sécurité des utilisateurs et des autres personnes à proximité. N'utilisez pas l'appareil dans un endroit non ventilé. Il est destiné à une utilisation en extérieur uniquement.
- La pièce dans laquelle cet appareil est utilisé doit disposer d'une fenêtre ou d'une porte qui peut être ouverte ou partiellement ouverte durant l'utilisation. Si aucune fenêtre ni porte n'est disponible pour la ventilation de la pièce, une ventilation supplémentaire doit être installée pour votre sécurité.
- Assurez-vous que l'appareil est utilisé dans un lieu bien ventilé.
- **AVERTISSEMENT: LES PIÈCES ACCESSIBLES PEUVENT ÊTRE TRÈS CHAUDES. GARDEZ LES PETITS ENFANTS À L'ÉCART.**
- Lisez les instructions avant d'utiliser l'appareil.
- **Utilisez-le exclusivement en extérieur !**

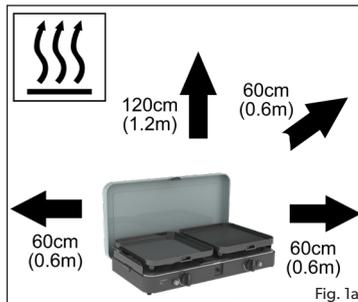


Fig. 1a

**Assemblage et utilisation**

- N'utilisez pas l'appareil s'il a des joints endommagés ou usés.
- N'utilisez pas un appareil qui fuit, est endommagé ou ne fonctionne pas correctement.
- Manipulez l'appareil avec soin, ne le faites pas tomber.
- Faites toujours fonctionner l'appareil sur une surface ferme et plane.
- Assurez-vous que le produit assemblé est stable et ne bouge pas.
- Cet appareil ne convient pas à une installation ou à un raccordement à une alimentation en gaz réticulé.
- Assurez-vous que l'appareil est utilisé à distance de toute matière inflammable. Distances de sécurité minimales : au-dessus de l'appareil : 1.2m, à l'arrière et sur les côtés : 60cm (Fig. 1a).
- Lors de l'utilisation d'une marmite, la taille recommandée de celle-ci doit être comprise entre 180mm et 250mm.
- N'utilisez pas de surface de cuisson ou de casserole plus grande que la taille recommandée. Nos surfaces de cuisson ont été spécialement conçues pour permettre aux gaz de combustion de s'échapper et la fermeture de cet espace pourrait affecter les performances de cet appareil.
- Ne modifiez pas cet appareil, toute modification peut être dangereuse. Ne l'utilisez pas pour quoi que ce soit pour lequel il n'a pas été conçu.
- Ne déplacez pas l'appareil en cours d'utilisation.
- Ne laissez jamais l'appareil sans surveillance lorsqu'il est allumé.
- Durant l'utilisation, des pièces de l'appareil deviennent chaudes (en particulier le brûleur). Évitez de toucher les pièces chaudes à mains nues. L'utilisation de gants est recommandée.
- Assurez-vous que toutes les surfaces de cuisson/supports de casseroles sont correctement placés lors de l'utilisation de l'appareil.
- L'appareil est livré avec une mallette de transport pratique.

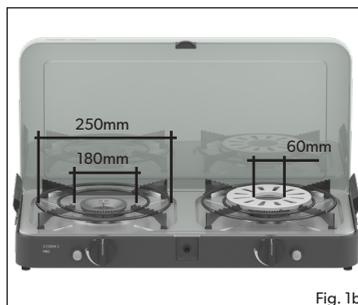


Fig. 1b

**Tuyau**

- Vous devez vérifier que le flexible et le joint sur le détendeur ne sont ni usés ni endommagés avant chaque utilisation et avant le raccord à la bouteille de gaz.
- N'utilisez pas l'appareil si le tuyau est endommagé ou usé. Remplacez le tuyau.
- Ne tordez pas ni ne pincez pas le flexible.
- La longueur du flexible doit être d'au moins 0.8 m et ne doit pas dépasser 1.2m. Remplacez le flexible lorsqu'il est endommagé, ou présente des signes de fissures ou d'écaillages.
- Si vous ne parvenez pas à corriger la fuite de gaz, n'utilisez pas l'appareil. Contacter votre fournisseur local pour obtenir de l'aide.

**Réservoir de gaz**

- Le gaz est fourni à l'unité via un tuyau et un régulateur. Le tuyau et le régulateur peuvent être connectés à une bouteille de gaz ou à un Power Pak, qui est un appareil qui prend deux ou plusieurs cartouches de gaz. Remarque : Le tuyau, le régulateur et le Power Pak ne sont pas fournis avec l'appareil.
- **TENTER D'INSTALLER D'AUTRES TYPES DE BOUTEILLES DE GAZ OU DE CARTOUCHES DE GAZ (UTILISÉES AVEC LE POWER PAK) PEUT ÊTRE DANGEREUX.**
- Cet appareil ne doit être utilisé qu'avec un tuyau et un régulateur approuvés.
- À n'utiliser qu'avec une bouteille de gaz ne dépassant pas 500 mm de hauteur (détendeur non compris) et 400 mm de largeur.
- Assurez-vous que la bonbonne de gaz est installée ou changée dans un endroit bien aéré, de préférence à l'extérieur, loin de toute source d'ignition comme les flammes nues, les veilleuses, les feux électriques et loin des autres personnes.
- Gardez les contenants de gaz à l'écart de la chaleur et des flammes. Ne pas placer sur une cuisinière ou toute autre surface chaude.
- Les contenants rechargeables doivent être utilisés uniquement en position verticale afin d'assurer un bon prélèvement de carburant. Le non-respect de cette consigne peut entraîner une décharge de liquide du réservoir de gaz, entraînant des conditions de fonctionnement dangereuses.
- N'essayez pas de retirer la cartouche de gaz lorsque l'appareil est en marche.
- La bouteille de gaz doit être débranchée de l'appareil après utilisation ou lors du stockage.

**Retour de Flamme**

- En cas de retour de flamme (lorsque la flamme brûle et s'allume au niveau du gicleur), coupez immédiatement l'alimentation en gaz en fermant d'abord le robinet de commande sur la bouteille de gaz, puis le robinet de l'appareil. Lorsque la flamme est éteinte, retirez le détendeur et vérifiez l'état de son joint. Remplacez le joint en cas de doute. Rallumez l'appareil. Si le retour de flamme se reproduit, renvoyez le produit à votre agent de réparation autorisé.

**Fuites**

- Si votre appareil présente une fuite (odeur de gaz), coupez l'alimentation en gaz, d'abord au niveau de la bouteille de gaz, puis sur votre appareil en tournant les boutons respectifs totalement dans le sens des aiguilles d'une montre. Sortez-les immédiatement dans un lieu bien ventilé et dépourvu de flamme où la fuite peut être détectée et arrêtée. Si vous souhaitez rechercher des fuites sur votre appareil, faites-le à l'extérieur. N'essayez pas de détecter les fuites à l'aide d'une flamme. Utilisez de l'eau savonneuse.

**Comment vérifier que l'appareil est correctement raccordé à l'alimentation en gaz**

- Il est important que tous les raccords de gaz aient été branchés correctement pour éviter toute fuite de gaz.
- La bonne manière de procéder est de frotter de l'eau savonneuse sur les joints. Si des bulles se forment, cela indique la présence d'une fuite de gaz. Coupez immédiatement l'alimentation en gaz, en fermant d'abord le robinet de commande sur la bouteille de gaz, puis le robinet de l'appareil. Vérifiez que tous les raccords sont bien en place. Procédez à une nouvelle vérification avec de l'eau savonneuse.
- Si la fuite de gaz persiste, renvoyez le produit à votre revendeur local pour inspection/réparation.

<b>Pays d'utilisation</b>	BE, CH, CY, CZ, ES, FR, GB, GR, IE, IT, LT, LU, LV, PT, SK & SI	PL	BE, CY, DK, EE, FR, FI, HU, IT, LT, NL, NO, SE, SI, SK, RO, HR, TR, BG, IS, LU, MT, & ZA	AT, CH, DE & SK
<b>Catégories d'appareil</b>	I <sub>3+(28-30/37)</sub>	I <sub>3B/P (37)</sub>	I <sub>3B/P (30)</sub>	I <sub>3B/P (50)</sub>
<b>Gaz autorisés</b>	Butane-30	Propane-G31	Butane-G30, Propane-G31 ou leur mélange	
<b>Pression de fonctionnement</b>	28-30mbar	37mbar	37mbar	28-30mbar 50mbar
<b>Numéro de gicleur</b>	0.73	0.69	0.73	0.64
<b>Utilisation nominale</b>	Butane - 160g/h par brûleur (160g/h x 2 = 320g/h au total)	Butane - 160g/h par brûleur (160g/h x 2 = 320g/h au total)	Butane - 160g/h par brûleur (160g/h x 2 = 320g/h au total)	Butane - 160g/h par brûleur (160g/h x 2 = 320g/h au total)
<b>Entrée de chaleur nominale brute</b>	2.2kW par brûleur (2.2kW x 2 = 4.4kW au total)	2.2kW par brûleur (2.2kW x 2 = 4.4kW au total)	2.2kW par brûleur (2.2kW x 2 = 4.4kW au total)	2.2kW par brûleur (2.2kW x 2 = 4.4kW au total)

**Abréviations des noms de pays**

AE = Émirats Arabes Unis	AL = Albanie	AT = Autriche	BE = Belgique	CH = Suisse
CZ = République Tchèque	DE = Allemagne	DK = Danemark	ES = Espagne	FI = Finlande
FR = France	GB = Royaume-Uni	GR = Grèce	HR = Croatie	IT = Italie
JP = Japon	KR = Corée	NL = Pays-Bas	NO = Norvège	PL = Pologne
PT = Portugal	RO = Roumanie	RU = Russie	RS = Serbie	SI = Slovénie
SK = Slovaquie	SE = Suède	TR = Turquie	ZA = Afrique du Sud	

**I 3B/P (30), I 3+ (28-30/37) et I 3B/P (37), Catégories d'appareils : (DK, FI, NO, NL, SE, AT, DE, BE, ES, FR, IE, IT, PT, GB, CH)**  
Poussez un tuyau approuvé sur l'embout de la valve jusqu'à ce qu'il soit correctement installé. À l'autre extrémité, fixez un régulateur de basse pression approprié.

I3B/P(30) : Détendeur configurations butane 30mbar ou détendeur configurations propane 30mbar ou détendeur configuration mélange butane/propane 30mbar.

I3B/P(37) : Détendeur configurations butane 37mbar ou détendeur configurations propane 37mbar ou détendeur configuration mélange butane/propane 37mbar.

I3+(28-30/37) : Régulateur de configurations Butane 30mbar ou régulateur de configurations Propane 37mbar.

Encore une fois, assurez-vous que le tuyau est correctement installé. Le type de tuyau utilisé doit être conforme à la norme EN pertinente et aux exigences de localisation.

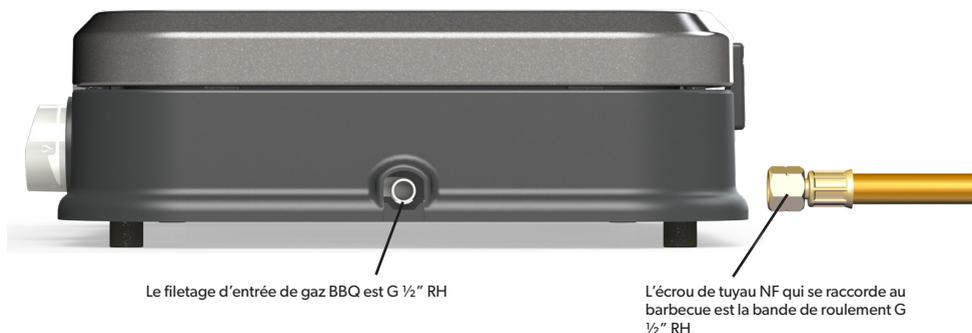
**I 3B/P (50) Catégorie d'appareil : (AT, DE, CH, SK)**

I3B/P(50) : Détendeur configurations butane 50mbar ou détendeur configurations propane 50mbar ou détendeur configurations mélange butane/propane 50mbar.

Vissez un tuyau avec les raccords filetés corrects à chaque extrémité, sur le filetage BSP 1/4" gauche de la vanne. Fixez un régulateur basse pression de 50 mbar approprié à l'extrémité du tuyau. Le flexible utilisé doit être conforme à la norme DIN 4815 partie 2 ou équivalente.

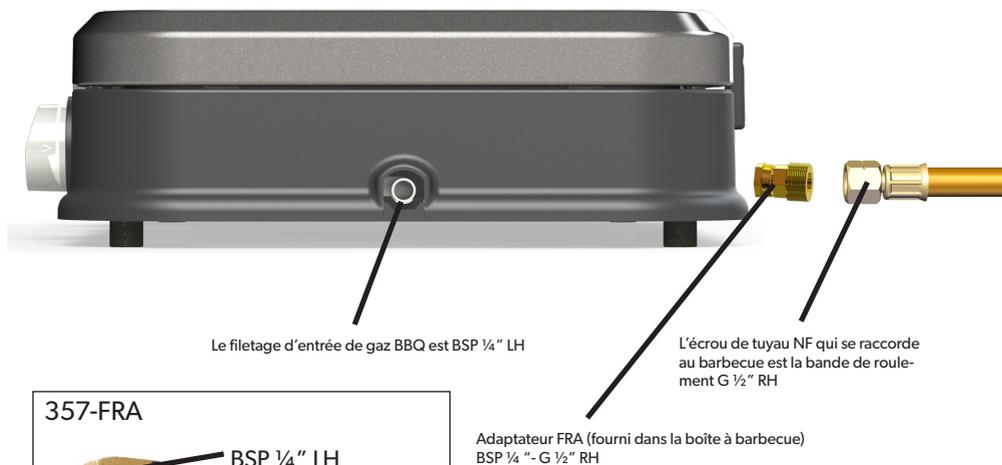
## FR système

- Les BBQ dont les codes se terminent par l'abréviation FR sont équipés d'un raccord de gaz ½" main droite.
- Pour utiliser un de ces barbecues, il suffit de raccorder un tuyau de gaz NF G1/2 (non fourni – disponible dans la plupart des commerces) directement au raccord de gaz de l'appareil.
- **Important:** avant chaque utilisation, assurez-vous que la connexion (BBQ - tuyau) soit exempte de fuites de gaz en effectuant un test de fuite de gaz.

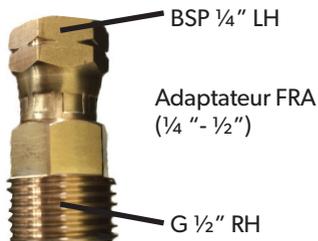


## FRA système

- Les BBQ dont les codes se terminent par l'abréviation FRA sont équipés d'un raccord de gaz ¼" main gauche.
- Pour utiliser un de ces barbecues, il suffit d'installer l'adaptateur fourni au raccord de gaz de l'appareil afin de pouvoir y raccorder ensuite directement un tuyau de gaz NF G1/2 (non fourni – disponible dans la plupart des commerces).
- **Important:** avant chaque utilisation, assurez-vous que les connexions (BBQ – adaptateur et BBQ - tuyau) soient exemptes de fuites de gaz en effectuant un test de fuite de gaz.



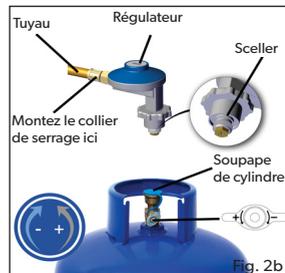
357-FRA



## 2. Installation et remplacement de la bouteille de gaz

### Raccordement de l'alimentation en gaz

- Avant de raccorder l'appareil à une alimentation en gaz, assurez-vous que le joint en caoutchouc du régulateur est en place et en bon état.
- Avant de raccorder le tuyau et le régulateur à l'appareil, vérifiez que le bouton de commande de l'appareil est en position « OFF ».
- Effectuez ce contrôle chaque fois que vous montez l'appareil sur une bouteille de gaz.
- Soufflez la poussière de l'ouverture d'alimentation en gaz pour éviter un éventuel blocage du jet.
- Installez un tuyau et un régulateur approuvés sur l'appareil.
- Assurez-vous que l'alimentation en gaz (bouteille de gaz/cartouche de gaz) est installée dans un endroit bien ventilé, à l'écart de toute source d'inflammation, telle que des flammes nues et à l'écart d'autres personnes.
- Ne pas tordre ou pincer le tuyau. Assurez-vous qu'il est acheminé à l'écart du corps du poêle afin d'éviter la détérioration / l'endommagement du tuyau causé par la chaleur.
- Assurez-vous que la bouteille de gaz est maintenue verticale à tout moment, connectez-la à la bouteille en la vissant à la main jusqu'à ce qu'elle soit complètement engagée.
- Assurez-vous que l'étanchéité au gaz est complète (vérifiez l'odeur de gaz autour du joint de raccordement). Ne pas vérifier les fuites avec une flamme nue. Utilisez uniquement de l'eau chaude savonneuse, appliquée sur les joints et les connexions de l'appareil. Toute fuite apparaîtra sous forme de bulles autour de la zone de fuite.
- Si vous ne pouvez pas remédier à la fuite de gaz, n'utilisez pas l'appareil. En cas de doute, contactez votre revendeur le plus proche.



### Comment déconnecter et changer l'alimentation en gaz

- Après utilisation, tournez le bouton de commande de l'appareil sur la position « OFF » et fermez l'arrivée de gaz.
- Lorsque vous devez remplacer votre bouteille vide, assurez-vous que le gaz est fermé au robinet de la bouteille.
- Ne fumez pas en changeant les biberons.
- Retirez le régulateur de la bouteille vide.
- Fixez le régulateur à la bouteille pleine, voir les instructions ci-dessus pour connecter l'alimentation en gaz.
- Appliquez les mêmes procédures d'entretien et d'inspection que si vous installez une nouvelle bouteille de gaz.

### Comment vérifier si votre bouteille de gaz est vide

- Le moyen le plus simple de vérifier si votre niveau de gaz est bas est de soulever votre bouteille de gaz.
- Si vous trouvez que votre bouteille de gaz est un peu plus légère que la normale, vous pouvez peser la bouteille pour déterminer la quantité de gaz qui reste. La plupart des bouteilles ont le poids vide estampillé sur le goulot ou l'anneau inférieur, et si le poids spécifié correspond au poids de votre bouteille, vous êtes à court d'essence. Sur la base de la différence de poids, vous pouvez estimer la quantité de gaz restante.

## 3. Utilisation de l'appareil

- Lors de l'utilisation de cet appareil, veillez à ce que toutes les pièces soient en bon état de fonctionnement et que vous avez vérifié l'absence de fuites de gaz avant d'allumer l'appareil à chaque utilisation.
- Les surfaces de cuisson peuvent être simplement placées et sont prêtes à l'emploi. Aucun assemblage requis.
- **REMARQUE:** Veuillez vous assurer que la totalité du plastique et de l'emballage de protection a été retirée de l'appareil avant toute utilisation.
- L'appareil est conçu pour une utilisation avec des récipients de cuisson d'un diamètre compris entre 180mm et 250mm

### Précautions à observer avant l'allumage.

- Utilisez cet appareil uniquement sur une surface ferme et plane.
- Après un stockage prolongé, inspectez l'appareil à la recherche d'insectes et de toiles d'araignées susceptibles d'affecter le débit de gaz.

### Allumer l'appareil à l'aide du piézo

- Il est recommandé d'enlever toute surface de cuisson lorsque vous essayez d'allumer l'appareil, afin de mieux voir quand le brûleur est allumé.
- Pour allumer l'appareil à l'aide de l'allumeur piézo, appuyez et tournez le bouton de commande de 90° dans le sens inverse des aiguilles d'une montre, puis appuyez sur le bouton piézo pour allumer le gaz (voir Fig. 3). Si le gaz ne s'allume pas à la première étincelle, remettez le bouton de commande en position "OFF". Essayez à nouveau, en appuyant et en tournant le bouton de commande dans le sens antihoraire et en appuyant sur le bouton piézo pour allumer le gaz. Si le gaz ne s'est pas enflammé dans les deux ou trois premières secondes, la soupape de commande doit être fermée en tournant le bouton de commande sur la position "OFF".
- Attendez environ trente secondes pour laisser s'échapper tout gaz accumulé dans le brûleur. Répétez le processus ci-dessus, si nécessaire, jusqu'à ce que la flamme s'allume. La flamme devrait normalement s'allumer dans la première à deux secondes.

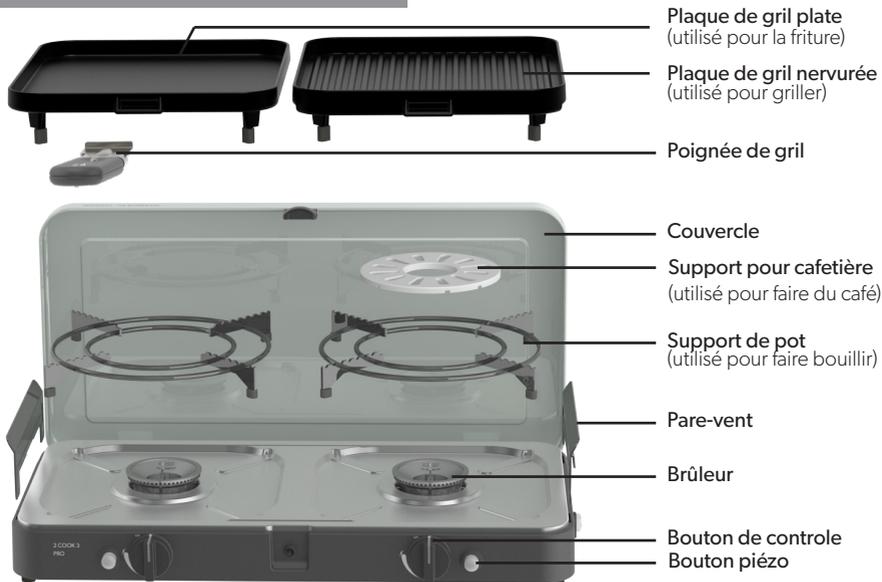
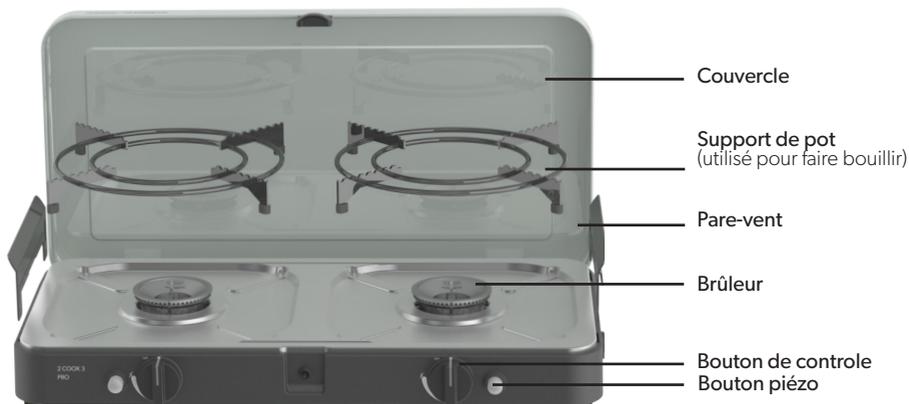
### Allumer avec un allume-barbecue

- Lors d'un démarrage à froid, l'appareil peut être allumé par le haut avant d'installer la surface de cuisson souhaitée. Lorsque vous allumez un appareil chaud, il est recommandé de le faire en insérant un allume-barbecue dans l'un des trous d'aération sous le brûleur, jusqu'à ce qu'il soit aligné avec le brûleur (NE PAS placer l'allume-barbecue dans le grand trou directement sous le brûleur). Allumez l'allume-barbecue. Pendant que l'allume-barbecue est allumé, poussez et tournez le bouton de commande dans le sens inverse des aiguilles d'une montre pour allumer le brûleur.

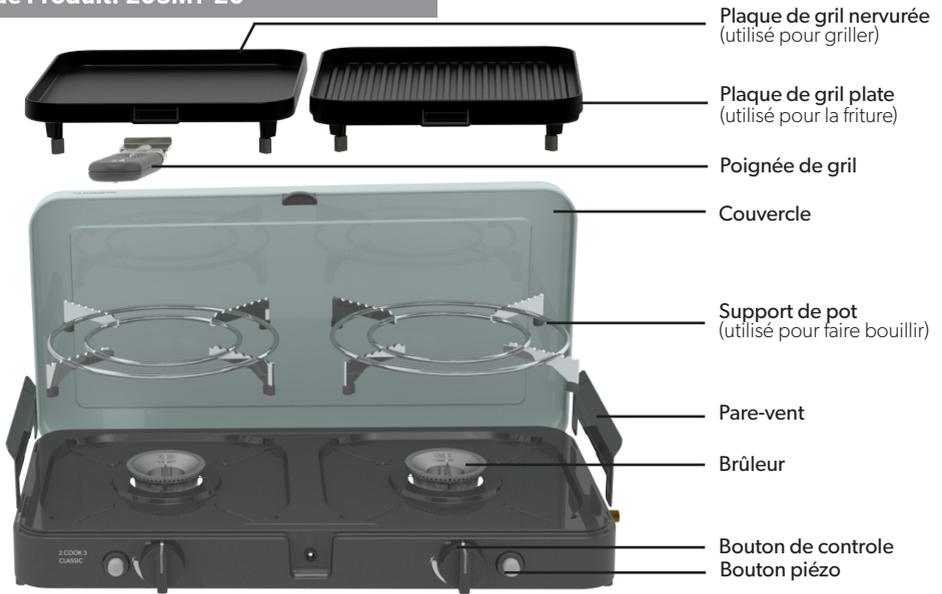


**Général**

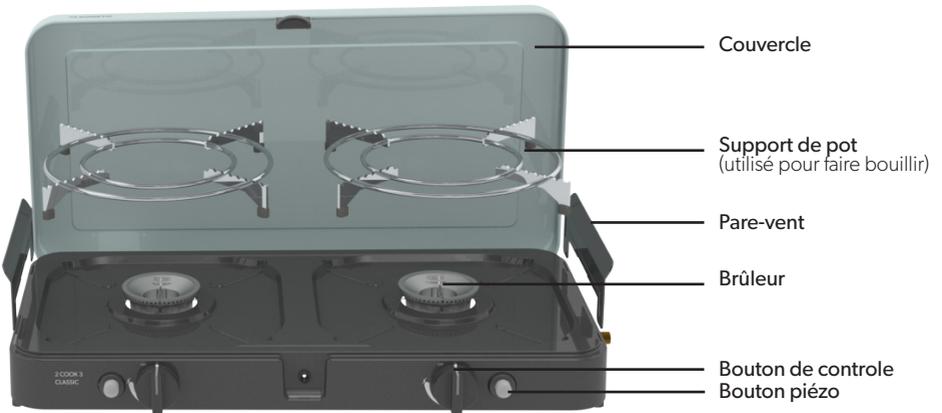
- Une fois l'appareil allumé, l'intensité de la flamme peut être réglée en tournant le bouton de commande dans le sens antihoraire pour diminuer la flamme ou dans le sens horaire pour l'augmenter.
- Lors de la cuisson d'aliments à forte teneur en matières grasses, des flambées peuvent se produire si le niveau de chaleur est trop élevé. Si cela se produit, baissez le feu jusqu'à ce que les poussées s'arrêtent.
- Ne déplacez pas l'appareil lorsqu'il est en cours d'utilisation. Il est dangereux de déplacer l'appareil lorsqu'il est allumé et cela peut provoquer des poussées.
- Après utilisation, fermez d'abord le robinet de commande de la bouteille de gaz (le cas échéant). Lorsque la flamme s'est éteinte, fermer la vanne de régulation de l'appareil

**4. Liste des composants****Code produit: 203P1-20****Code produit: 203P1 -10**

Code Produit: 203M1-20



Code Produit: 203M1-10



Les éléments suivants ne sont pas inclus et sont vendus séparément. Demandez à votre revendeur local la disponibilité.



Soft Soak 2 Cook



Paella Pan 30  
(utilisé pour la paella/  
friture)



Support pour  
cafetière  
(De série avec  
modèle 203P1-20)



Plaques de grill  
nervurées  
(avec poignée grill)



Plaques de grill plate  
(avec poignée grill)

## 5. Options de cuisson GreenGrill

### Cuisson GreenGrill

La plupart des surfaces de cuisson ont notre revêtement GreenGrill. Ce revêtement céramique est entièrement sans PFOA ; il ne contient aucune substance toxique et garantit une cuisine plus saine !

#### PRÉPARATION ET UTILISATION

- « Assaisonnement » : avant d'utiliser la surface de cuisson pour la première fois, vous pouvez l'assaisonner pour donner à la surface de cuisson une fine couche protectrice qui empêche les aliments de coller. Ce n'est pas obligatoire mais nous le recommandons. C'est très simple : frottez légèrement l'huile de cuisson sur la surface, puis placez à feu moyen pendant 2 à 3 minutes. Lorsqu'elle refroidit, lavez la surface de cuisson à l'eau savonneuse avant utilisation et graissez-la légèrement avec de l'huile (huile de cuisson de votre choix, par exemple de l'huile de tournesol). C'est prêt à partir!
- Remarque : le revêtement GreenGrill conduit mieux la chaleur que les produits avec un revêtement antiadhésif ordinaire (PTFE). Nous vous recommandons donc de n'utiliser que 75% de la puissance de ce à quoi vous êtes habitué.
- Ne laissez jamais la surface de cuisson sur la source de chaleur sans huile. Appliquez une fine couche d'huile à l'aide d'un essuie-tout ou d'un pinceau avant de placer la surface de cuisson sur la source de chaleur. Assurez-vous d'avoir huilé toutes les pièces, donc avec par ex. une grille de barbecue comprend également les bords surélevés.
- Nous recommandons la friture dans de l'huile de tournesol ou de colza en raison du point de combustion élevé. L'huile d'olive peut avoir un point de combustion relativement bas, ce qui peut faire en sorte que les ingrédients collent à la poêle ou brûlent. Nous vous déconseillons donc d'utiliser de l'huile d'olive. Astuce : amener la viande ou le poisson à température ambiante avant de les faire frire. Cela évitera de coller à la surface de cuisson.
- Utilisez toujours des ustensiles en silicone et/ou en bois afin de ne pas endommager le revêtement GreenGrill. N'utilisez jamais d'ustensiles en métal car cela pourrait endommager le revêtement.

#### NETTOYAGE

- Laissez la table de cuisson refroidir avant de la nettoyer. Des changements extrêmes de température peuvent déformer la surface de cuisson.
- Le revêtement GreenGrill est "Easy Clean". Pour nettoyer les surfaces de cuisson revêtues de GreenGrill, utilisez simplement de l'eau chaude savonneuse avec une éponge douce. Évitez les éponges abrasives ou la laine d'acier.
- Si des particules d'aliments restent sur la surface de cuisson suite à une utilisation précédente, elles peuvent adhérer au revêtement, provoquant des taches brunes. Dans ces endroits, les ingrédients peuvent coller à la table de cuisson car le couvercle n'est plus atteint. Assurez-vous que ces taches ont été correctement éliminées avant utilisation.
- Pour les taches tenaces ou les résidus sur la poêle à paella ou la poêle du chef, vous pouvez essayer de la faire tremper toute la nuit dans de l'eau tiède savonneuse ou utiliser la "méthode du vinaigre": verser une couche de vinaigre dans la poêle et chauffer légèrement la poêle. Le vinaigre ne doit pas bouillir et surtout ne pas s'évaporer complètement. Versez le vinaigre de la casserole, nettoyez la casserole avec de l'eau savonneuse et la casserole est comme neuve. Remarque : Le vinaigre de chauffage peut dégager une odeur désagréable.
- Le CADAC | DOMETIC Soft Soak (vendu séparément) est le produit compagnon idéal pour faciliter le trempage pendant la nuit. Lorsque vous utilisez le Soft Soak, nous vous recommandons de placer la surface de cuisson face vers le bas, ce qui permet un trempage maximal et utilise également moins d'eau.
- Notez que dans le cas de l'utilisation du Soft Soak 2 Cook, vous pouvez faire tremper les deux grilles simultanément. Pour ce faire, placez une grille de cuisson face vers le haut et l'autre face vers le bas, comme indiqué sur les images.
- Toutes les taches tenaces qui restent après le trempage peuvent être desserrées et brossées à l'aide de la brosse CADAC | DOMETIC Soft Soak Brush (vendue séparément)
- Sécher avec un chiffon doux et c'est tout!

#### ENTRETIEN

- Nous recommandons d'ajouter un peu d'huile sur la surface de cuisson après le nettoyage et de l'étaler avec du papier absorbant. L'huile scelle la surface de l'air extérieur et de l'humidité. Cela garantit également que les aliments ne brûlent pas dans la surface.
- Placez la surface de cuisson dans un sac en plastique avant de la mettre dans son sac de rangement afin de vous assurer que le sac de rangement reste propre et sans huile.
- Le sac de rangement évite d'endommager le revêtement GreenGrill et votre produit.



### Options de cuisson

- Voici les options de cuisson disponibles.

**Grill:** Cette option de cuisson est idéale pour griller sans huile du poulet, des saucisses, des côtelettes, des brochettes, du poisson ou des légumes. Pour ce type de cuisson, utilisez la "plaque grill".

**Attention:** Veuillez noter que lors de la cuisson de viandes grasses, la graisse éclabousse l'appareil, ce qui peut provoquer des poussées. Soyez prudent lorsque vous manipulez ce type de viande. Les températures de cuisson sont facilement ajustées en fonction de vos propres besoins en tournant le bouton de commande pour régler le degré de chaleur.

**Frire:** Cette option est idéale pour les sautés, le poisson, le petit-déjeuner, les crêpes, les crevettes, la paella et les légumes. Utilisez le grill plat pour ce type de cuisson. Veuillez noter qu'en tant que poêle peu profonde, elle ne convient que pour la friture peu profonde. La surface facile à nettoyer encourage une utilisation minimale de matières grasses pour une cuisson saine.

**Ébullition:** Pour ce type de cuisson, placez le support de casserole dans ses rainures de positionnement en vous assurant qu'il est bien en place. Placez un pot approprié (pas moins de 180mm de diamètre et pas plus de 250 de diamètre). Un litre d'eau bout en 6 minutes environ selon les conditions, la taille de la casserole utilisée, etc.

**Remarque:** Lorsque vous utilisez des casseroles de petite taille, n'essayez pas d'utiliser des casseroles avec des poignées en plastique car elles peuvent devenir extrêmement chaudes.

**Paella:** Cette option de cuisson est idéale pour préparer des paellas, des risottos, des plats de pâtes, des petits déjeuners traditionnels, etc. La Paella Pan est fabriquée à partir d'un aluminium pressé de haute qualité qui permet une excellente répartition et rétention de la chaleur.

**Café:** Cette option est idéale pour préparer une tasse de café chaud. Idéal pour tout moment, n'importe où.

## 6. Nettoyage

- Nous vous recommandons de nettoyer votre appareil après chaque utilisation. Cela prolongera sa durée de vie.
- Laissez refroidir l'appareil avant de le nettoyer.
- Utilisez un chiffon humide essoré dans une solution d'eau savonneuse pour nettoyer les surfaces extérieures.
- Pour nettoyer le corps de l'appareil, il vous suffit de l'essuyer avec un linge humide, avec un peu de détergent, si nécessaire.
- NE L'IMMERGEZ PAS DANS DE L'EAU, car cela laisserait entrer de l'eau dans le tube du brûleur, entraînant un mauvais fonctionnement de l'appareil.
- La plaque du gril est recouverte d'un revêtement antiadhésif en céramique résistant et durable qui a été utilisé avec beaucoup de succès sur certains des meilleurs ustensiles de cuisine au monde. Néanmoins, en prendre soin peut vous aider à profiter des années supplémentaires d'une cuisson saine, facile et antiadhésive.
- Bien que le revêtement antiadhésif en céramique soit très résistant, il peut facilement être endommagé par l'utilisation d'ustensiles de cuisine en métal. Il est donc recommandé de n'utiliser que des ustensiles en plastique ou en bois pour cuisiner.
- Laissez toujours le gril/plat plat refroidir avant de le plonger dans l'eau.
- Assurez-vous qu'aucune eau n'entre en contact avec les brûleurs ou la veilleuse/l'éclairage. Essuyez complètement l'appareil avant de l'utiliser.
- N'utilisez pas de nettoyeurs abrasifs car ils pourraient endommager les surfaces.
- Nettoyez l'appareil après chaque utilisation. Après le nettoyage, reconditionnez la surface de cuisson avec un léger chiffon d'huile.
- N'utilisez pas d'appareil à vapeur haute pression ou de jet d'eau pour nettoyer l'appareil.
- Remarque: Pour les taches tenaces, le nettoyeur pour four CADAC peut être utilisé.

## 7. Stockage

- Laissez toujours l'appareil refroidir et être nettoyé avant de le ranger.
- Coupez l'alimentation en gaz de l'appareil, débranchez et retirez l'alimentation en gaz de l'appareil.
- Ne rangez jamais un appareil avec l'alimentation en gaz branchée, c'est une pratique dangereuse.
- Rangez l'appareil et l'alimentation en gaz dans un endroit bien aéré, à l'écart des matériaux combustibles. Le stockage des bouteilles doit de préférence être à l'extérieur et ne doit PAS être dans un sous-sol.

## 8. Entretien et dépannage

### Entretien

- Si vous nettoyez et entretenez régulièrement votre appareil, sa durée de vie se prolongera et les risques de problèmes diminueront.
- Cet appareil ne nécessite pas d'entretien programmé.
- Cet appareil ne doit être entretenu que par une personne autorisée.
- Vérifiez régulièrement votre tuyau de gaz et ses raccords pour tout signe de fuite et chaque fois que la bouteille de gaz est remplie ou montée sur l'appareil à chaque utilisation.

### Dépannage

En cas d'éclaboussures de flammes ou d'obstruction du jet :

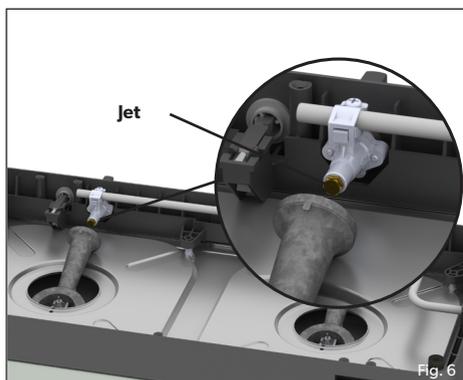
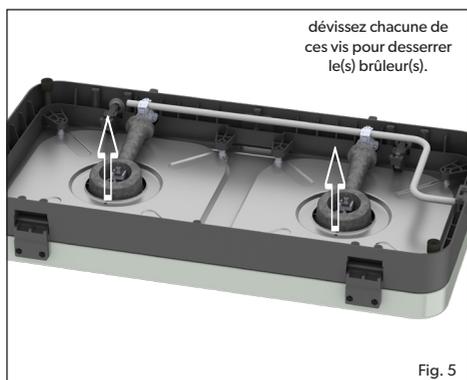
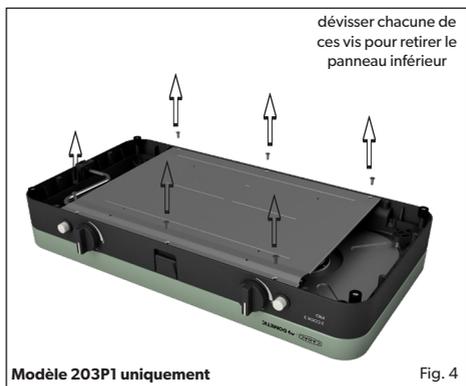
- Nettoyez les orifices du brûleur en cas de déversement.
- Il est recommandé de nettoyer ou de remplacer la buse à jet tous les six (6) mois pour assurer un fonctionnement efficace et continu de l'appareil.
- Si l'appareil fonctionne mal après le stockage et que toutes les vérifications n'ont pas isolé le problème, la buse du jet peut être bloquée. Un jet bloqué serait indiqué par une flamme jaunâtre plus faible ou pas de flamme dans les cas extrêmes. Dans ces circonstances, il sera nécessaire d'enlever, d'inspecter et de nettoyer soigneusement tout corps étranger qui pourrait s'être accumulé dans l'appareil.
- Cela peut être fait en retirant la buse à jet avec des outils standard et en soufflant tous les débris de la buse à jet, ou vous pouvez acheter de nouvelles buses à jet dans votre magasin local. N'essayez pas de nettoyer mécaniquement la buse du jet.

### Remplacement d'une buse à jet bloqué :

- L'appareil est équipé d'une buse à jet spécialement dimensionnée pour réguler la bonne quantité de gaz.
- Si la buse du jet est obstruée, il peut y avoir une petite flamme ou pas de flamme. N'essayez pas de nettoyer la buse à jet avec une aiguille ou un dispositif similaire, car cela pourrait endommager l'ouverture et rendre l'appareil dangereux.
- **Pour remplacer la buse à jet :**  
Retirez toutes les surfaces de cuisson, fermez le couvercle et retournez l'appareil.  
Dévissez soigneusement le panneau inférieur en retirant les vis (Fig. 4). Desserrez la vis sur les brûleurs concernés (Fig. 5), desserrez soigneusement le brûleur et laissez-le tomber comme indiqué pour révéler la buse. A noter que le brûleur est connecté au câble piézoélectrique, après avoir remplacé la buse de jet et l'avoir remonté, vérifier que ce câble est toujours connecté. La buse à jet est maintenant visible sur la valve, utilisez une clé appropriée pour retirer la buse (Fig. 6). N'utilisez pas de pinces sur la buse à jet car cela pourrait endommager la buse à jet et la rendre inutilisable ou impossible à retirer. Visser la nouvelle buse à jet sur la valve. Ne pas trop serrer car cela pourrait endommager la buse du jet.
- Procédez en sens inverse pour remonter l'appareil.

**Remplacement du tuyau :**

- Le montage d'un flexible est décrit au chapitre 2.



## 9. Pièces de rechange et accessoires

- Utilisez toujours des pièces de rechange d'origine car elles ont été conçues pour offrir des performances optimales.

Pièces de rechange				Accessoires	
Article	Numéro de rechange	Article	Numéro de rechange	Article	Accessoire n°
	202-SP004		202-SP011		203-100
	202-SP012		202-SP020		203-900
	203P-SP001		203P-SP002		8640
	203P-SP003		203P-SP005		203-200
	203P-SP008		203P-SP011		203-300
	203P-SP015		203P-SP018		98326
	HM6-073		203P-SP012		
	203P-SP023				

## 10. Garantie

CADAC Europe BV garantit par le présent document à l'ACHETEUR ORIGINAL de cet appareil à gaz CADAC Europe BV, qu'il sera exempt de défaut matériel et de fabrication à compter de la date d'achat, comme suit:

Robinets:	2 années
Pièces en plastique:	Aucune garantie
Moulage sous pression	1 an
Pièces en émail:	2 années
Brûleurs:	1 an

La garantie ne s'appliquera que si l'unité est assemblée et utilisée conformément aux instructions imprimées.

CADAC Europe BV peut demander une preuve raisonnable de votre date d'achat. **AUSSI, VOUS DEVEZ CONSERVER VOTRE TICKET DE CAISSE OU VOTRE FACTURE.**

Cette garantie limitée devra être limitée à la réparation ou au remplacement des pièces qui s'avèrent défectueuses en cas d'utilisation et de service normaux, et qui devront indiquer leur défectuosité lors d'un examen, à la satisfaction de CADAC Europe BV. Avant de renvoyer toute pièce, contactez le représentant du service à la clientèle de votre région à l'aide des coordonnées fournies avec votre manuel. Si CADAC Europe BV confirme la défaillance et approuve la demande, CADAC Europe BV choisira de remplacer de telles pièces sans frais CADAC Europe BV renverra les pièces à l'acheteur, transport et frais de port prépayés.

Cette Garantie limitée ne couvre aucune défaillance ni difficulté de fonctionnement due à un accident, un mauvais traitement, une mauvaise utilisation, une altération, un usage impropre, du vandalisme, une mauvaise installation ou un mauvais entretien ou service, ou la non réalisation de l'entretien normal et de routine, notamment, mais sans s'y limiter, des dommages causés par des insectes dans les tubes de brûleur, comme exposé dans ce manuel du propriétaire.

Une détérioration ou des dommages dus à des conditions météorologiques extrêmes, telles que de la grêle, des ouragans, des tremblements de terre ou des tornades, une décoloration due à une exposition à des produits chimiques soit directement, soit dans l'atmosphère, ne sont pas garantis par cette Garantie limitée.

Il n'existe aucune garantie expresse autre qu'indiqué dans le présent document et toute garantie implicite applicable de qualité marchande et d'aptitude à l'emploi est limitée en durée à la période de couverture de cette Garantie limitée écrite expresse. Certaines régions ne permettent pas de limite sur la durée d'une garantie implicite. Aussi, cette limite peut ne pas être applicable dans votre cas.

CADAC Europe BV n'est pas responsable de tout dommage spécial, indirect ou consécutif. Certaines régions n'autorisent pas l'exclusion ou la limitation des dommages indirects ou consécutifs. Aussi, cette limite ou cette exclusion peut ne pas être applicable dans votre cas.

CADAC Europe BV n'autorise aucune personne ni entreprise à assumer toute obligation ou responsabilité de sa part en rapport avec la vente, l'installation, l'utilisation, le retrait, le retour ou le remplacement de son matériel ; et aucune représentation telle ne lie CADAC Europe BV.

La présente garantie s'applique uniquement aux produits vendus au détail.

Pour apprécier et garantir la longévité de votre produit, veuillez vous reporter à la section sur le nettoyage et l'entretien du manuel de l'utilisateur.

## Spiegazione dei simboli



Riciclaggio del materiale da imballaggio. Collocare il materiale di imballaggio negli appositi contenitori per rifiuti per il riciclaggio, ove possibile.

Fornite abbondante ventilazione. Questo dispositivo a gas consuma aria (ossigeno). Non usatelo in uno spazio non ventilato, per non mettere in pericolo la vostra vita. Qualora nell'ambiente vengano introdotti altri dispositivi a gas e/o occupanti che facciano uso di gas, deve essere fornita ulteriore ventilazione.

### IMPORTANTE

Leggete attentamente queste istruzioni, allo scopo di familiarizzare col dispositivo prima di applicarlo a una bombola a gas.

Conservate queste istruzioni come riferimento per il futuro.

## 1. Informazioni sulla sicurezza

Queste istruzioni sono finalizzate alla vostra sicurezza e vi aiutano a evitare il rischio di infortuni e/o danni. Tutte le garanzie perderanno validità, se non seguirete queste istruzioni.

- Il dispositivo è conforme agli standard BS EN 484.
- Gli apparecchi a gas richiedono ventilazione per prestazioni efficienti e per garantire la sicurezza degli utenti e di altre persone nelle immediate vicinanze. Non utilizzare l'apparecchio in un'area non ventilata. È destinato esclusivamente all'uso esterno.
- La stanza in cui questo dispositivo viene utilizzato dovrebbe avere una finestra o una porta che possano essere aperte, anche solo in parte, durante l'uso. In caso non vi siano porte o finestre disponibili per la ventilazione della stanza, per la vostra sicurezza deve essere installato un ulteriore dispositivo di ventilazione.
- Assicuratevi che il dispositivo sia utilizzato in una zona ben ventilata.
- **ATTENZIONE: LE PARTI ACCESSIBILI POSSONO ESSERE MOLTO CALDE. TENERE LONTANI I BAMBINI PICCOLI.**
- Prima di usare il dispositivo, leggete le istruzioni.
- **Utilizzatelo solo all'aperto!**

### Assemblaggio e utilizzo

- Non utilizzare il dispositivo se presenta guarnizioni danneggiate o usurate.
- Non usate un dispositivo con perdite, danneggiato o in condizioni di funzionamento non appropriate.
- Maneggiate il dispositivo con attenzione; non fatelo cadere.
- Utilizzare sempre l'apparecchio su una superficie piana e stabile
- Assicuratevi che il prodotto assemblato sia stabile e non oscilli.
- Questo apparecchio non è adatto per l'installazione o il collegamento a un sistema di alimentazione del gas.
- Assicuratevi che il dispositivo sia usato a distanza da materiali infiammabili. Distanze minime di sicurezza: sopra il dispositivo - 1,2 m; dietro e ai lati - 0.6m. (fig. 1a)
- Quando usate una pentola, la misura minima consigliata è di 180 mm, e la massima di 250 mm.
- Non utilizzare piani di cottura o pentole più grandi delle dimensioni consigliate. I nostri piani cottura sono stati studiati appositamente per consentire la fuoriuscita della combustione del gas e la chiusura di questo spazio potrebbe pregiudicare le prestazioni di questo apparecchio.
- Non modificare questo apparecchio, qualsiasi modifica può essere pericolosa. Non usarlo per qualcosa per cui non è stato progettato.
- Non muovete il dispositivo durante l'uso.
- Non lasciate mai il dispositivo non sorvegliato, quando è acceso.
- Durante l'uso, delle parti del dispositivo diventeranno roventi (in particolare il fornello). Evitate di toccare le parti roventi con le mani nude. Si raccomanda l'utilizzo di guanti.
- Assicurarsi che tutte le superfici di cottura/le griglie siano posizionate correttamente quando si utilizza l'apparecchio.

### Tubo flessibile

- Il tubo e la guarnizione dell'erogatore devono essere controllati per verificarne l'usura o la presenza di danni, prima di ogni utilizzo e prima di collegarlo alla bombola del gas.
- Non utilizzare l'apparecchio se il tubo è danneggiato o usurato. Sostituire il tubo.
- Non aggrovigliate né pizzicate il tubo.
- La lunghezza del tubo dovrebbe non essere inferiore a 0,8m né superiore a 1,2m. Sostituire il tubo quando è danneggiato o mostra segni di fragilità o spaccature.

### Contenitore del gas

- Il gas viene fornito all'unità tramite un tubo flessibile e un regolatore. Il tubo e il regolatore possono essere collegati a una bombola del gas o a un Power Pak, un dispositivo che accetta due o più cartucce di gas. Nota: il tubo, il regolatore e l'alimentatore non sono forniti con l'apparecchio.
- TENTARE DI MONTARE ALTRI TIPI DI BOMBOLE DI GAS O CARTUCCE DI GAS (UTILIZZATI IN ABBINAMENTO AL POWER PAK) PUÒ ESSERE PERICOLOSO.
- Questo apparecchio deve essere utilizzato solo con un tubo e un regolatore approvati.
- Da utilizzare solo con una bombola del gas che non superi i 500 mm di altezza (escluso il regolatore) e 400 mm di larghezza.
- Assicurarsi che il contenitore del gas sia montato o sostituito in un luogo ben ventilato, preferibilmente all'aperto, lontano da qualsiasi fonte di accensione come fiamme libere, piloti, fuochi elettrici e lontano da altre persone.
- Tenere i contenitori del gas lontano da fonti di calore e fiamme. Non posizionare su fornelli o qualsiasi altra superficie calda.
- I contenitori ricaricabili devono essere utilizzati solo in posizione verticale in modo da garantire un corretto prelievo del carburante.
- La mancata osservanza di questa precauzione può causare la fuoriuscita di liquido dal contenitore del gas con conseguenti condizioni operative pericolose.
- Non tentare di rimuovere il contenitore del gas mentre l'apparecchio è in funzione.
- Il contenitore del gas deve essere scollegato dall'apparecchio dopo l'uso o durante lo stoccaggio.

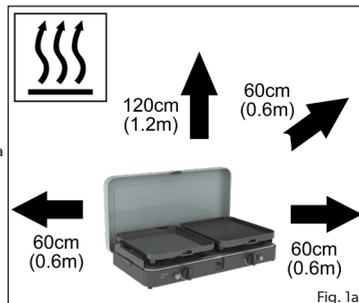


Fig. 1a

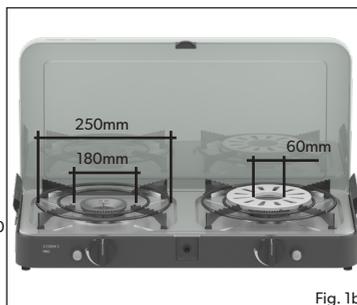


Fig. 1b

**Luce indietro**

- In caso di ritorno di fiamma (laddove la fiamma brucia all'indietro, arroventando il beccuccio), spegnete immediatamente l'alimentazione del gas chiudendo in primo luogo la valvola di controllo sulla bombola del gas e quindi la valvola del dispositivo. Una volta che la fiamma si è estinta, rimuovete l'erogatore e controllate le condizioni della sua guarnizione e, se avete dei dubbi, sostituitemela. Riaccendete il dispositivo.
- Qualora il ritorno di fiamma dovesse persistere, restituite il prodotto al vostro agente autorizzato addetto alle riparazioni.

**Che perde**

- Qualora ci sia una perdita sul vostro dispositivo (puzza di gas), spegnete l'alimentazione del gas, prima sulla bombola, quindi sul vostro dispositivo, girando interamente i rispettivi pomelli in senso orario. Portateli immediatamente all'esterno, in un luogo ben ventilato e senza fiamme in cui la perdita possa essere individuata e fermata. Se desiderate controllare la presenza di perdite sul vostro dispositivo, fatelo all'aperto. Non tentate di individuare perdite ricorrendo a una fiamma, ma usate dell'acqua saponata.

**Come controllare che l'apparecchio sia correttamente collegato all'alimentazione del gas**

- È importante che tutti i collegamenti del gas siano stati connessi correttamente, onde impedire perdite di gas.
- Se desiderate controllare la presenza di perdite sul vostro dispositivo, fatelo all'aperto. Non tentate di individuare perdite ricorrendo a una fiamma, ma usate dell'acqua saponata. Il modo corretto consiste nello spalmare i giunti con dell'acqua saponata. Se si formano delle bolle, c'è una perdita di gas. Spegnete immediatamente l'alimentazione del gas, chiudendo prima la valvola di controllo sulla bombola del gas, quindi quella del dispositivo; verificate che tutti i collegamenti siano appropriatamente installati. Tornate a fare una verifica con acqua saponata.
- Se c'è ancora una perdita di gas, restituite il prodotto al vostro fornitore per un controllo / una riparazione.

<b>Paese di utilizzo</b>	BE, CH, CY, CZ, ES, FR, GB, GR, IE, IT, LT, LU, LV, PT, SK & SI		PL	BE, CY, DK, EE, FR, FI, HU, IT, LT, NL, NO, SE, SI, SK, RO, HR, TR, BG, IS, LU, MT, & ZA	AT, CH, DE & SK
<b>Categorie di dispositivo</b>	I <sub>3+(28-30/37)</sub>		I <sub>3B/P (37)</sub>	I <sub>3B/P (30)</sub>	I <sub>3B/P (50)</sub>
<b>Gas consentiti</b>	Butano-G30	Propano-G31	Butano-G30, Propano-G31 o loro miscela		
<b>pressione di funzionamento</b>	28-30mbar	37mbar	37mbar	28-30mbar	50mbar
<b>Numero ugello</b>	0.73		0.69	0.73	0.64
<b>Uso nominale</b>	Butano - 160g/h per bruciatore (160g/h x 2 = 320g/h in totale)		Butano - 160g/h per bruciatore (160g/h x 2 = 320g/h in totale)	Butano - 160g/h per bruciatore (160g/h x 2 = 320g/h in totale)	Butano - 160g/h per bruciatore (160g/h x 2 = 320g/h in totale)
<b>Portata termica nominale lorda</b>	2.2kW per bruciatore (2.2kW x 2 = 4.4kW in totale)		2.2kW per bruciatore (2.2kW x 2 = 4.4kW in totale)	2.2kW per bruciatore (2.2kW x 2 = 4.4kW in totale)	2.2kW per bruciatore (2.2kW x 2 = 4.4kW in totale)

**Nomi dei paesi e abbreviazioni**

AE = Emirati Arabi Uniti	AL = Albania	AT = Austria	BE = Belgio	CH = Svizzera
CZ = Repubblica Ceca	DE = Germania	DK = Danimarca	ES = Spagna	FI = Finlandia
FR = Francia	GB = Regno Unito	GR = Grecia	HR = Croazia	IT = Italia
JP = Giappone	KR = Corea	NL = Olanda	NO = Norvegia	PL = Polonia
PT = Portogallo	RO = Romania	RU = Russia	RS = Serbia	SI = Slovenia
SK = Slovacchia	SE = Svezia	TR = Tacchino	ZA = Sud Africa	

**I 3B/P (30), I3+(28-30/37) e I 3B/P (37), Categorie di apparecchi: (DK, FI, NO, NL, SE, AT, DE, BE, ES, FR, IE, IT, PT, GB, CH)**

Spingere un tubo omologato sull'attacco della valvola finché non è posizionato correttamente. All'altra estremità, collegare un adeguato regolatore di bassa pressione.

I3B/P(30): Regolatore in configurazione butano da 30 mbar o configurazione con regolatore di propano da 30 mbar o configurazione con miscela di butano/propano da 30 mbar.

I3B/P(37): Regolatore in configurazione butano da 37 mbar o regolatore con configurazione propano da 37 mbar o configurazione con miscela di butano/propano da 37 mbar.

I3+(28-30/37): Regolatore in configurazione butano 30mbar o regolatore in configurazione propano 37mbar.

Ancora una volta assicurandosi che il tubo sia posizionato correttamente. Il tipo di tubo utilizzato deve essere conforme alla norma EN pertinente e individuare il requisito.

**I 3B/P (50) Categoria apparecchio: (AT, DE, CH, SK)**

I3B/P(50): Regolatore in configurazione butano 50mbar o Regolatore in configurazione propano 50mbar o Regolatore in configurazione miscela butano/propano 50mbar.

Avvitare un tubo con i raccordi filettati corretti su ciascuna estremità, sulla filettatura sinistra da 1/4" BSP della valvola. Collegare un regolatore di bassa pressione da 50 mbar adatto all'estremità del tubo. Il tubo flessibile utilizzato deve essere conforme alla norma DIN 4815 parte 2 o equivalente.

## 2. Montaggio e cambio dell'alimentazione del gas

### Collegamento dell'alimentazione del gas

- Prima di collegare il dispositivo a una bombola del gas, assicuratevi che la guarnizione in gomma dell'erogatore sia in posizione e in buone condizioni.
- Prima di collegare il tubo e il regolatore all'apparecchio, assicurarsi che la manopola di controllo dell'apparecchio sia in posizione "OFF".
- Eseguite questa verifica ogni volta che installate il dispositivo su una bombola del gas.
- Rimuovete qualunque traccia di polvere dall'apertura della bombola, onde impedire la possibile ostruzione dell'ugello.
- Collegare un tubo e un regolatore approvati all'apparecchio.
- Assicurarsi che l'alimentazione del gas (bombola del gas/ cartuccia del gas) sia installata in un luogo ben ventilato, lontano da qualsiasi fonte di accensione, come fiamme libere e lontano da altre persone.
- Non aggrovigliate né pizzicate il tubo. Assicuratevi che passi lontano dal corpo del fornello, in modo da impedire deterioramenti / danneggiamenti al tubo provocati dal calore.
- Assicuratevi che la bombola del gas sia sempre tenuta in posizione verticale. Collegatela alla bombola avvitandola stretta a mano finché non sia saldamente inserita.
- Verificare che sia stata ottenuta una completa tenuta del gas (controllare l'odore di gas attorno al collegamento). Non verificare la presenza di perdite con fiamme libere. Utilizzare solo acqua calda saponata applicata alle giunzioni e ai collegamenti dell'apparecchio. Eventuali perdite si presenteranno come bolle intorno all'area della perdita.
- Se non è possibile eliminare la perdita di gas non utilizzare l'apparecchio. In caso di dubbi, contattare il rivenditore più vicino.

### Disconnessione e cambio dell'alimentazione del gas

- Dopo l'uso, ruotare la manopola di comando dell'apparecchio in posizione "OFF" e chiudere l'alimentazione del gas.
- Quando è necessario sostituire la bombola vuota, assicurarsi che il gas sia chiuso alla valvola della bombola.
- Non fumare durante la sostituzione della bombola.
- Rimuovere il regolatore dalla bombola vuota.
- Collegare il regolatore alla bombola piena, fare riferimento alle istruzioni sopra su come collegare l'alimentazione del gas.
- Applicare le stesse procedure di cura e controllo come se si montasse una nuova bombola del gas.

### Come verificare se la tua bombola del gas è vuota

- Il modo più semplice per controllare se il livello del gas è basso è sollevare la bombola del gas.
- Se trovi che la tua bombola del gas è un po' più leggera del normale, puoi pesare la bombola per determinare la quantità di gas rimasta. La maggior parte delle bottiglie ha il peso vuoto stampato sul collo o sull'anello inferiore e se il peso specificato corrisponde al peso della tua bottiglia, hai finito la benzina. Sulla base della differenza di peso, puoi stimare la quantità di gas rimasta

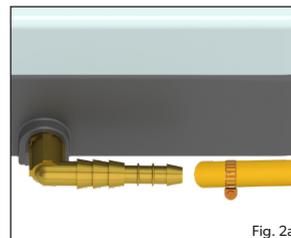


Fig. 2a



Fig. 2b

## 3. Utilizzo dell'apparecchio

- Quando si utilizza questo apparecchio, assicurarsi che tutte le parti siano in buone condizioni e di aver verificato la presenza di eventuali perdite di gas prima di ogni utilizzo e accensione.
- Le superfici di cottura possono essere semplicemente posizionate e sono pronte per l'uso. Nessun assemblaggio richiesto.
- **N.B.:** Assicuratevi che tutto l'imballo e la plastica di protezione siano rimossi dal dispositivo prima dell'uso.
- Il dispositivo è concepito per essere utilizzato con recipienti da cottura di non meno di 180 mm di diametro e di non più di 250 mm di diametro.

### Precauzioni da osservare prima dell'accensione.

- Utilizzare questo dispositivo solo su una superficie stabile e piana.
- Dopo uno stoccaggio prolungato, ispezionare l'apparecchio per individuare eventuali insetti e ragnatele che potrebbero interferire con il flusso del gas.

### Accendere l'apparecchio utilizzando il piezo

- Accendere l'apparecchio utilizzando il piezo
- Si consiglia di rimuovere l'eventuale piano di cottura quando si tenta di accendere l'apparecchio, per vedere meglio quando il bruciatore è acceso.
- Per accendere l'apparecchio utilizzando l'accenditore piezo, premere e ruotare la manopola di comando di 90° in senso antiorario, quindi premere il pulsante piezo per accendere il gas (vedi Fig. 3). Se il gas non si accende alla prima scintilla, riportare la manopola di comando in posizione "OFF". Riprovare, premendo e ruotando la manopola di controllo in senso antiorario e premere il pulsante piezo per accendere il gas. Se il gas non si è acceso nei primi due o tre secondi, è necessario chiudere la valvola di controllo ruotando la manopola di controllo nella posizione "OFF".
- Attendere circa trenta secondi per rilasciare l'eventuale gas accumulato nel bruciatore. Ripetere il processo sopra, se necessario, fino a quando la fiamma non si accende. La fiamma dovrebbe normalmente accendersi entro i primi o due secondi.

### Accendi con un accendino per barbecue

- All'avviamento a freddo, l'apparecchio può essere acceso dall'alto prima di installare il piano cottura desiderato. Quando si accende un apparecchio caldo, si consiglia di farlo alimentando un accendino per barbecue attraverso uno dei fori di sfogo sotto il bruciatore, fino a quando non è in linea con il bruciatore. (NON posizionare l'accendino del barbecue attraverso il grande foro direttamente sotto il bruciatore.) Accendere l'accendino del barbecue. Mentre l'accendino del barbecue è acceso, premere e ruotare la manopola di controllo in senso antiorario per accendere il bruciatore.



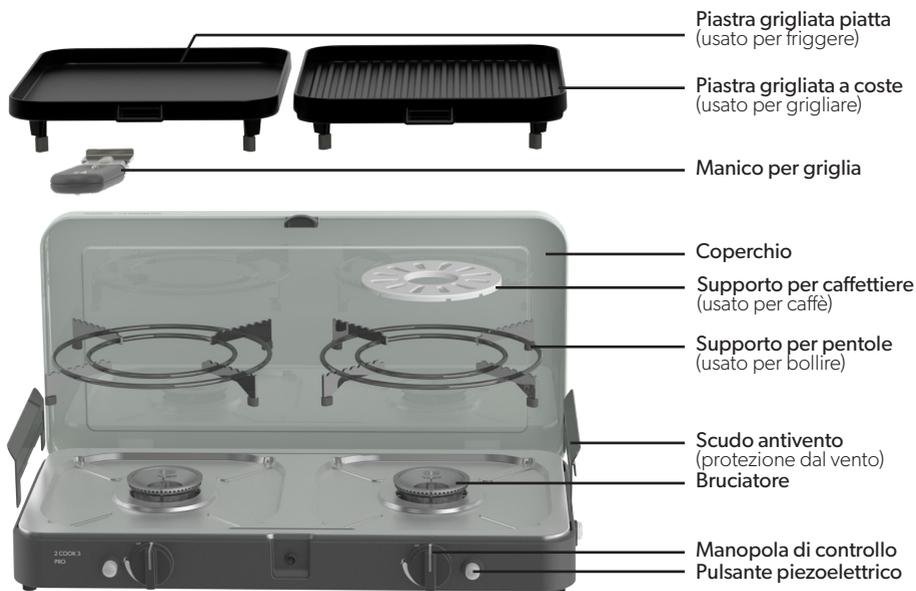
Fig. 3

**General**

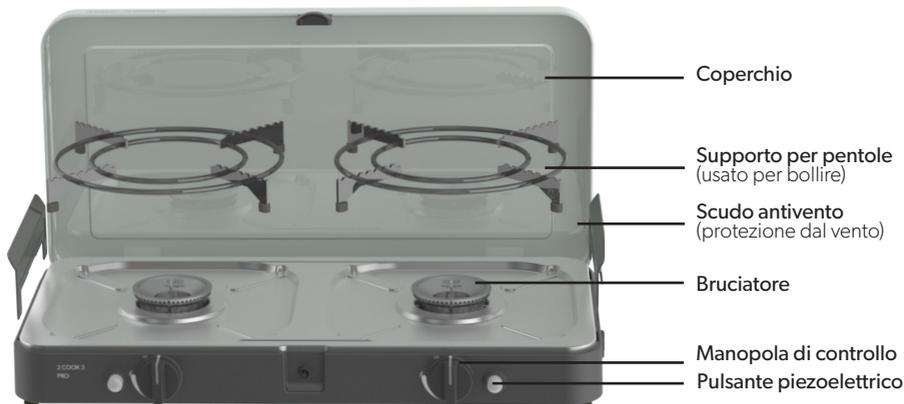
- Una volta acceso l'apparecchio, è possibile regolare l'intensità della fiamma ruotando la manopola di comando in senso antiorario per ridurre la fiamma o in senso orario per aumentare la fiamma.
- Quando si cuociono cibi con un alto contenuto di grassi, se il livello di cottura selezionato è troppo alto, possono verificarsi svasature. Se ciò dovesse accadere, abbassate il fuoco fino a quando la fiammata non cessa.
- Non spostare l'apparecchio quando è in uso. Non è una pratica sicura spostare l'apparecchio mentre è acceso e potrebbe causare bagliori.
- Dopo l'uso, chiudere prima la valvola di controllo sulla bombola del gas (ove applicabile). Quando la fiamma si è spenta, chiudere la valvola di comando sull'apparecchio.

## 4. Elenco dei componenti

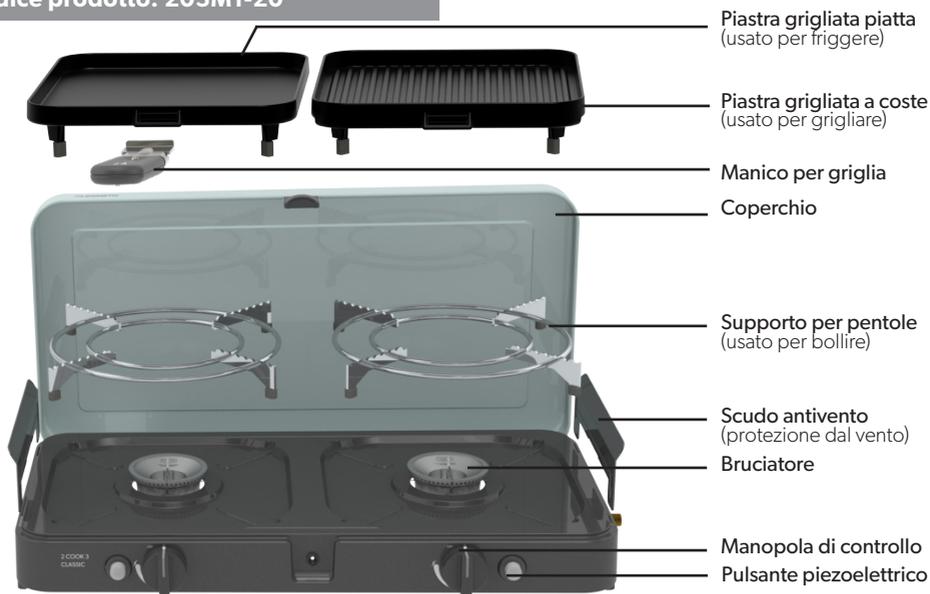
Codice prodotto: 203P1-20



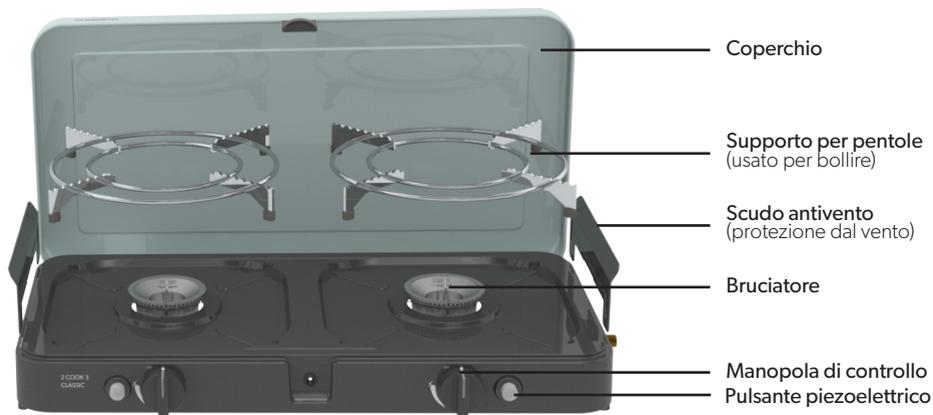
Codice prodotto: 203P1-10



**Codice prodotto: 203M1-20**



**Codice prodotto: 203M1-10**



I seguenti articoli non sono inclusi e sono venduti separatamente. Chiedi la disponibilità al tuo rivenditore locale.



Soft Soak 2 Cook



Paella Pan 30  
(usato per la paella/  
frittura)



Supporto per  
caffettiere  
(Standard con modello  
203P1-20)



Grigliata a coste  
(con manico grill)



Grigliata piatta  
(con manico grill)

## 5. Opzioni di cottura GreenGrill

### Cucina GreenGrill

La maggior parte delle superfici di cottura ha il nostro rivestimento GreenGrill. Questo rivestimento ceramico è completamente privo di PFOA; non contiene sostanze tossiche e garantisce una cucina più sana!

#### PREPARAZIONE E UTILIZZO

- Per "condire" il piano di cottura: prima di utilizzare il piano di cottura per la prima volta, è possibile condirlo per dare al piano di cottura un sottile rivestimento protettivo per evitare che il cibo si attacchi. Non è obbligatorio ma lo consigliamo. È così facile: strofina leggermente l'olio da cucina sulla superficie, quindi metti a fuoco medio per 2-3 minuti. Quando è freddo, lavare la superficie di cottura con acqua e sapone prima dell'uso e ungerla leggermente con un po' d'olio (olio da cucina a scelta, es. olio di semi di girasole). È pronto per partire!
- Nota: il rivestimento GreenGrill conduce il calore meglio dei prodotti con un normale rivestimento antiaderente (PTFE). Pertanto, ti consigliamo di utilizzare solo il 75% della potenza a cui sei abituato.
- Non lasciare mai il piano di cottura sulla fonte di calore senza olio. Applicare uno strato sottile di olio con carta assorbente da cucina o pennello prima di posizionare il piano di cottura sulla fonte di calore. Assicurati di aver oliato tutte le parti, ad esempio una griglia per barbecue include anche i bordi rialzati.
- Si consiglia di friggere in olio di semi di girasole o olio di colza a causa dell'alto punto di ebollizione. L'olio d'oliva può avere un punto di ebollizione relativamente basso, che può far attaccare gli ingredienti alla padella o bruciare. Pertanto, si sconsiglia l'uso di olio d'oliva. Consiglio: portare la carne o il pesce a temperatura ambiente prima della frittura. Questo eviterà che si attacchi al piano di cottura.
- Utilizzare sempre utensili in silicene e/o legno per evitare di danneggiare il rivestimento GreenGrill. Non utilizzare mai utensili in metallo in quanto ciò potrebbe danneggiare il rivestimento.

#### PULIZIA

- Lasciare raffreddare il piano di cottura prima di pulirlo. Sbalzi di temperatura estremi possono causare la deformazione della superficie di cottura.
- Il rivestimento GreenGrill è "Easy Clean". Per pulire le superfici di cottura con rivestimento GreenGrill è sufficiente utilizzare acqua tiepida e sapone con una spugna morbida. Evitare spugne abrasive o pagliette d'acciaio.
- Se sulla superficie di cottura sono presenti particelle di cibo rimaste da un precedente utilizzo, possono aderire al rivestimento, causando macchie marroni. In questi luoghi gli ingredienti possono attaccarsi al piano di cottura perché non si raggiunge più la copertura. Assicurarsi che questi punti siano stati rimossi correttamente prima dell'uso.
- Per macchie ostinate o residui sulla padella per paella o sulla padella da chef, puoi provare a metterli a bagno per una notte in acqua calda e sapone o utilizzare il "metodo dell'aceto": versa uno strato di aceto nella padella e scaldala leggermente la padella. L'aceto non deve bollire e di certo non deve evaporare del tutto. Versare l'aceto fuori dalla padella, pulire la padella con acqua e sapone e la padella è come nuova.  
Nota: riscaldare l'aceto può emanare un odore sgradevole.
- Il CADAC | DOMETIC Soft Soak (venduto separatamente) è il prodotto di accompagnamento ideale per facilitare l'ammollo notturno. Quando si utilizza il Soft Soak, si consiglia di posizionare la superficie di cottura a faccia in giù, che consente il massimo ammolto e utilizza anche meno acqua.
- Si noti che nel caso di utilizzo di Soft Soak 2 Cook, è possibile immergere entrambe le griglie contemporaneamente. Per fare ciò posizionare una griglia con il lato di cottura rivolto verso l'alto e l'altra rivolta verso il basso come si vede nelle immagini.
- Eventuali macchie ostinate che rimangono dopo l'ammollo, possono essere allentate e spazzolate via con CADAC | DOMETIC Soft Soak Brush (venduto separatamente)
- Asciuga con un panno morbido e il gioco è fatto!

#### MANUTENZIONE

- Si consiglia di aggiungere un po' d'olio sul piano di cottura dopo averlo pulito e sparso con carta da cucina. L'olio sigilla la superficie dall'aria esterna e dall'umidità. Garantisce inoltre che il cibo non bruci in superficie.
- Mettere il piano cottura in un sacchetto di plastica prima di riportarlo nella sua custodia per garantire che la custodia rimanga pulita e priva di olio.
- La custodia impedisce danni al rivestimento GreenGrill e al prodotto.



Ammollo con Soft Soak 2 Cook (Griglie non incluse)



Soft Soak Brush

### Opzioni di cottura

- Queste sono le opzioni di cottura disponibili. (Utilizzare parabrezza in caso di vento)

**Grigliare:** questa opzione di cottura è ideale per grigliare senza grassi pollo, salsicce, bracioline, spiedini, pesce o verdure. Per questo tipo di cottura utilizzare la piastra grill.

**Attenzione:** Si prega di notare che durante la cottura di carni grasse, un po' di grasso schizzerà sull'unità causando riacquattazioni. Si prega di prestare attenzione quando si maneggiano tali carni. Le temperature di cottura sono facilmente regolabili in base alle proprie esigenze ruotando la manopola di controllo per regolare il grado di calore.

**Frittura:** questa opzione è ideale per frittura, pesce, colazione, frittelle, gamberi, paella e verdure. Per questo tipo di cottura utilizzare la griglia piatta. Si prega di notare che essendo una padella poco profonda, non è adatta per friggere. La superficie facile da pulire favorisce l'utilizzo minimo di grassi per una cucina sana.

**Bollitura:** per questo tipo di cottura, posizionare il supporto pentola nelle apposite fessure assicurandosi che sia posizionato correttamente. Utilizzare una pentola adatta (non inferiore a 180 mm di diametro e non superiore a 250 mm di diametro). Un litro d'acqua bolle in circa 6 minuti a seconda delle condizioni, delle dimensioni della pentola utilizzata, ecc.

**Nota:** quando si utilizzano pentole di piccole dimensioni, non provare a utilizzare pentole con manici in plastica poiché possono diventare molto calde.

**Paella:** questa opzione di cottura è ideale per preparare paella, risotti, primi piatti, colazioni tradizionali, ecc. La Paella Pan 30 è realizzata in alluminio pressato di alta qualità che consente un'eccellente distribuzione e ritenzione del calore.

**Caffè:** questa opzione è ideale per preparare una tazza di caffè calda. Ideale per ogni momento, ogni luogo.

## 6. Pulizia

- Vi raccomandiamo di pulire il vostro dispositivo dopo ogni uso. Ciò prolungherà la sua durata in vita.
- Lasciare raffreddare l'apparecchio prima di pulirlo.
- Utilizzare un panno umido strizzato in una soluzione di acqua saponata per pulire le superfici esterne.
- Per pulire il corpo del dispositivo, strofinatelo semplicemente con un panno umido usando un po' di detergente, se necessario.
- **NON IMMERGETELO IN ACQUA**, poiché ciò permetterà all'acqua di entrare nel tubo del fornello, causando il malfunzionamento del dispositivo.
- La piastra grill è rivestita con un rivestimento antiaderente in ceramica resistente che è stato utilizzato con grande successo su alcune delle migliori pentole nel mondo. Tuttavia, prendersene cura può aiutarvi a godervi anni extra di cucina sana, facile e antiaderente.
- Sebbene il rivestimento antiaderente in ceramica sia molto durevole, può essere facilmente danneggiato dall'uso di utensili da cucina in metallo. È quindi consigliato di utilizzare solo utensili in plastica o legno durante la cottura.
- Lasciare sempre raffreddare la griglia/piastra piana prima di immergerla nell'acqua.
- Assicurarsi che non penetri acqua sui bruciatori o nella zona pilota/luce. Asciugare completamente il dispositivo prima dell'uso.
- Non utilizzare detergenti abrasivi in quanto possono danneggiare le superfici.
- Pulire l'apparecchio dopo ogni utilizzo. Dopo la pulizia, ricondizionare leggermente il piano cottura con olio e un panno.
- Non utilizzare apparecchiature a vapore ad alta pressione o getti d'acqua per pulire l'apparecchio.
- Nota: per le macchie ostinate, è possibile utilizzare un detergente per forno CADAC.

## 7. Conservazione

- Lasciare sempre raffreddare e pulire l'unità prima di riporla.
- Interrompere l'alimentazione del gas all'apparecchio, scollegare e rimuovere l'alimentazione del gas dall'apparecchio.
- Non riporre mai un apparecchio con l'alimentazione del gas collegata, questa è una pratica non sicura.
- Conservare l'apparecchio e l'alimentazione del gas in un'area ben ventilata, lontano da materiale combustibile. Lo stoccaggio delle bombole dovrebbe essere preferibilmente all'aperto e NON in un seminterrato.

## 8. Manutenzione e risoluzione dei problemi

### Manutenzione

- Se si pulisce e si effettua la manutenzione apparecchio regolarmente, la vita apparecchio si estenderà e la possibilità di problemi diminuirà.
- Questo apparecchio non necessita di manutenzione programmata.
- Questo apparecchio deve essere riparato solo da una persona autorizzata.
- Controllare regolarmente il tubo del gas e le connessioni per eventuali segni di perdite e ogni volta che la bombola del gas viene riempita o montata sull'apparecchio ad ogni utilizzo.

### Risoluzione del problema

In caso di schizzi di fiamma o blocco del getto:

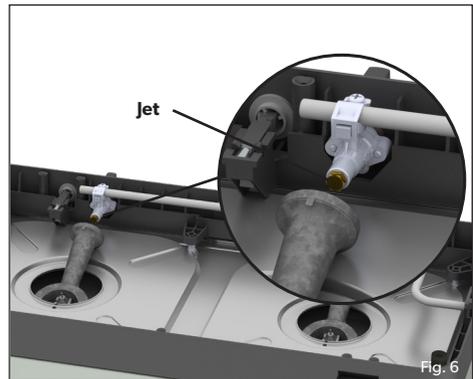
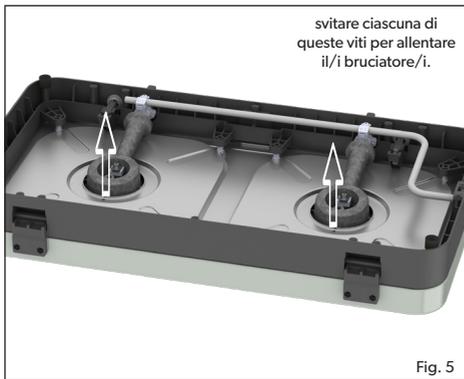
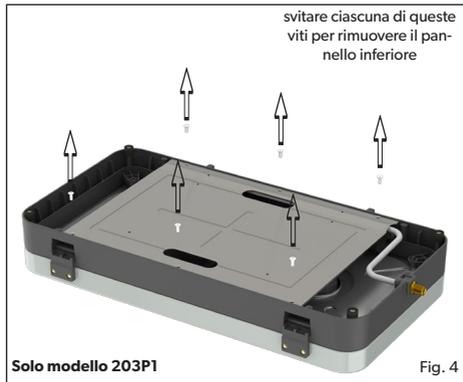
- Pulisci le porte del bruciatore in caso di fuoriuscita.
- Si consiglia di pulire o sostituire l'ugello del getto ogni sei (6) mesi per garantire un funzionamento efficiente e continuo dell'apparecchio.
- Se l'apparecchio funziona in modo anomalo dopo lo stoccaggio e tutti i controlli non hanno isolato il problema, l'ugello del getto potrebbe essere bloccato. Un getto bloccato sarebbe indicato da una fiamma giallastra più debole o da nessuna fiamma in casi estremi. In queste circostanze sarà necessario rimuovere, ispezionare e pulire a fondo ogni materiale estraneo eventualmente accumulato nell'apparecchio.
- Questo può essere fatto rimuovendo l'ugello a getto con strumenti standard e soffiando via tutti i detriti dall'ugello a getto, in alternativa è possibile acquistare nuovi ugelli a getto presso il tuo negozio locale. Non tentare di pulire meccanicamente l'ugello del getto.

### Sostituzione di un getto bloccato

- Il dispositivo è dotato di un ugello a getto di dimensioni speciali per regolare la corretta quantità di gas.
- Se l'ugello del getto è ostruito, potrebbe esserci una piccola fiamma o nessuna fiamma. Non tentare di pulire l'ugello del getto con un ago o un dispositivo simile, poiché ciò potrebbe danneggiare l'apertura e rendere pericoloso il dispositivo.
- **Per sostituire l'ugello del getto:** Rimuovere eventuali piani di cottura, chiudere il coperchio e capovolgere l'apparecchio. Svitare delicatamente il pannello inferiore togliendo le viti (Fig. 4)(Solo per modelli 203P1). Svitare la vite del/i bruciatore/i interessato/i (Fig. 5), allentare con cautela e far cadere il bruciatore come illustrato, per esporre il getto. Si noti che il bruciatore è collegato al cavo piezo, dopo aver sostituito il getto e rimontato, verificare che questo cavo sia ancora collegato. Il getto è ora visibile sulla valvola, rimuovere il getto con un'apposita chiave (Fig. 6). Non utilizzare pinze sul getto in quanto ciò potrebbe danneggiare il getto, rendendolo inutilizzabile o impossibile da rimuovere. Avvitare il nuovo getto nella valvola. Non serrare eccessivamente in quanto ciò potrebbe danneggiare il getto.
- Procedere in ordine inverso per rimontare il dispositivo.

### Sostituzione del tubo:

- Il montaggio di un tubo è descritto nella Sezione 2



## 9. Ricambi e accessori

- Utilizzare sempre ricambi originali poiché sono stati progettati per offrire prestazioni ottimali.

Ricambi		Accessori			
Elemento	Ricambi n.	Elemento	Ricambi n.		
	202-SP004		202-SP011		203-100
	202-SP012		202-SP020		203-900
	203P-SP001		203P-SP002		8640
	203P-SP003		203P-SP005		203-200
	203P-SP008		203P-SP011		203-300
	203P-SP015		203P-SP018		98326
	HM6-073 (Jet 0.73 28-30 mbar) HM6-069 (Jet 0.69 37mbar) HM6-064 (Jet 0.64 50mbar)		203P-SP012		
	203-SP023				

## 10. Garanzia

CADAC Europe BV garantisce qui all'ACQUIRENTE ORIGINALE di questo dispositivo a gas CADAC Europe BV che sarà privo di difetti materiali e di manodopera a partire dalla data di acquisto, nei termini specificati di seguito:

Valvole:	2 anni
Parti in plastica:	Nessuna garanzia
Pressofusione	1 anno
Parti smaltate:	2 anni
Fornelli:	1 anno

La garanzia si applicherà solo se l'unità è assemblata e fatta funzionare in conformità alle istruzioni stampate.

CADAC Europe BV può richiedere una ragionevole prova della vostra data di acquisto. DOVRETE PERCIÒ CONSERVARE IL VOSTRO SCONTRINO O LA VOSTRA FATTURA.

Questa Garanzia limitata varrà solo per la riparazione o la sostituzione di parti che risultino difettose in normali condizioni di uso e servizio, e che, esaminate, rivelino, con piena convinzione di CADAC Europe BV, di essere difettose. Prima di restituire qualsiasi parte, contattate il rappresentante del servizio-clienti nella vostra regione usando le informazioni di contatto fornite con il manuale. Qualora CADAC Europe BV confermi la presenza del difetto e approvi la richiesta, CADAC Europe BV deciderà di sostituire tali parti senza addebitarvi le spese. CADAC Europe BV restituirà le parti all'acquirente, con le spese di trasporto o di affrancatura prepagate.

Questa Garanzia limitata non copre alcun guasto o difficoltà di funzionamento dovuti a incidente, uso improprio o errato, alterazione, applicazione impropria, vandalismo, installazione o manutenzione ovvero servizio scorretti, o mancata effettuazione della manutenzione normale e di routine, compresi, solo a titolo di esempio, danni provocati da insetti all'interno dei tubi del fornello, come illustrato in questo manuale-utente.

I deterioramenti o danneggiamenti dovuti a dure condizioni climatiche, come in caso di grandine, uragani, terremoti o tornado, nonché lo scolorimento causato dall'esposizione a sostanze chimiche, sia a contatto diretto, sia presenti nell'atmosfera, non sono coperti da questa Garanzia limitata.

Non vi sono altre garanzie espresse, tranne quelle qui esposte, e qualunque garanzia implicita applicabile di commerciabilità e idoneità ha una durata limitata al periodo di copertura di questa espressa Garanzia limitata scritta. Alcune regioni non consentono limitazioni alla durata di una garanzia implicita, nel qual caso tale limitazione non può esservi applicata.

CADAC Europe BV non è responsabile di alcun danno speciale, indiretto o consequenziale. Alcune regioni non consentono l'esclusione o la limitazione di danni incidentali o consequenziali, nel qual caso tale limitazione non può esservi applicata.

CADAC Europe BV non autorizza alcuna persona o società a contrarre per essa alcun obbligo o responsabilità in relazione alla vendita, all'installazione, all'uso, alla rimozione, alla restituzione o alla sostituzione della sua attrezzatura; e nessuna dichiarazione di tal genere è vincolante per CADAC Europe BV.

Questa Garanzia si applica solo a prodotti venduti al dettaglio.

Per poter beneficiare del vostro prodotto per lungo tempo, fate riferimento alla sezione del manuale-utente inerente alla pulizia e alla manutenzione.

## Verklaring van symbolen



Verpakkingsmateriaal recycelen. Deponeer het verpakkingsmateriaal waar mogelijk in de daarvoor bestemde afvalbakken.

Zorg voor voldoende ventilatie. Dit gastoestel verbruikt lucht (zuurstof). Gebruik dit toestel niet in een ongeventileerde ruimte om gevaar voor eigen leven te voorkomen. Alleen voor gebruik buitenshuis.

## BELANGRIJK

Lees deze instructies goed door om vertrouwd te raken met het toestel voordat het toestel aangesloten wordt op de gasfles.

Bewaar deze instructies voor toekomstige referentie.

## 1. Veiligheidsinformatie

Deze instructies zijn voor uw veiligheid en om risico op letsel en/of schade te voorkomen. Alle garanties vervallen indien u deze instructies niet opvolgt.

- Het toestel voldoet aan de normen BS EN 484.
- Gastoestellen hebben ventilatie nodig voor een efficiënte werking en om de veiligheid van gebruikers en andere personen in de directe nabijheid te waarborgen. Gebruik het apparaat niet op een ongeventileerde plaats. Het is alleen bedoeld voor gebruik buitenshuis.
- De ruimte waar dit apparaat wordt gebruikt, moet een raam of een deur hebben die tijdens gebruik kan worden geopend of gedeeltelijk kan worden geopend. Als er geen raam of deur beschikbaar is voor kamerventilatie, moet er voor uw veiligheid extra ventilatie worden geïnstalleerd.
- Zorg ervoor dat het toestel gebruikt wordt op een goed geventileerde plek.
- **LET OP: TOEGANKELIJKE ONDERDELEN KUNNEN ERG HEET ZIJN. HOUD KLEINE KINDEREN UIT DE BUURT.**
- Lees de instructies door voordat het toestel wordt gebruikt.
- Alleen buitenshuis gebruiken!

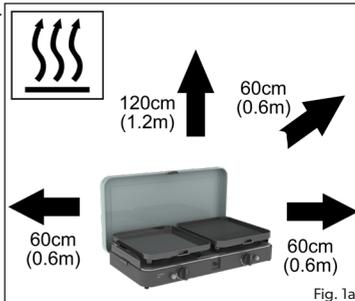


Fig. 1a

### Montage en gebruik

- Gebruik het apparaat niet als het beschadigde of versleten afdichtingen heeft.
- Gebruik geen toestel dat lekt, beschadigd is of niet goed functioneert.
- Behandel het toestel voorzichtig; niet laten vallen.
- Gebruik het apparaat altijd op een stevige, vlakke ondergrond
- Zorg ervoor dat het product stabiel is en niet kan wankelen.
- Dit toestel is niet geschikt voor installatie of aansluiting op de hoofdgastoevoer.
- Zorg ervoor dat het toestel gebruikt wordt op afstand van brandbare materialen. Minimale veilige afstanden boven het toestel - 1,2m, aan de achterkant en zijkanalen - 0.6m. (fig.1a)
- Bij gebruik van een pan, is de minimum aanbevolen panmaat 180mm en de maximale panmaat 250mm.
- Gebruik geen kookoppervlak of pan die groter is dan de aanbevolen maat. Onze kookoppervlakken zijn speciaal ontworpen om gasverbranding te laten ontsnappen en te weinig ruimte kan de prestaties van dit apparaat beïnvloeden.
- Wijzig dit apparaat niet, elke wijziging kan gevaarlijk zijn. Gebruik het niet voor iets waarvoor het niet is ontworpen.
- Het toestel niet tijdens gebruik verplaatsen.
- Laat het toestel nooit zonder toezicht achter wanneer het aangestoken is.
- Tijdens gebruik, zullen delen van het toestel heet worden (vooral de brander). Voorkom het aanraken van hete delen met blote handen. Het gebruik van een ovenwant wordt aangeraden.
- Zorg ervoor dat alle kookoppervlakken/pannendragers correct zijn geplaatst wanneer u het apparaat gebruikt.

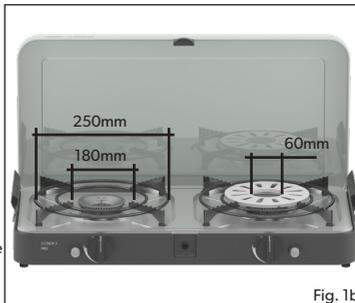


Fig. 1b

### Slang

- De gas slang en afdichting op de regelaar moeten, voor elk gebruik en voor het aansluiten op de gasfles, gecontroleerd worden op slijtage of beschadiging.
- Gebruik het apparaat niet als de slang beschadigd of versleten is. Vervang de slang als deze beschadigd is of tekenen heeft van broosheid of barsten.
- De gas slang niet afknippen of verdraaien.
- De lengte van de gas slang mag niet korter zijn dan 0.8m en niet langer zijn dan 1,2m.

### Gasfles

- Gas wordt via een slang en regelaar aan de unit toegevoerd. De slang en regelaar kunnen worden aangesloten op een gasfles of een Power Pak, een apparaat waar twee of meer gaspatronen in passen. Let op: Slang, regelaar en Power Pak worden niet meegeleverd met het apparaat.
- **PROBEREN OM ANDERE TYPES GASFLESSEN OF GASPATRONEN TE PLAATSEN (GEBRUIK IN COMBINATIE MET POWER PAK) KAN GEVAARLIJK ZIJN.**
- Dit apparaat mag alleen worden gebruikt met een goedgekeurde slang en regelaar.
- Alleen te gebruiken met een gasfles die niet hoger is dan 500 mm (exclusief de regelaar) en 400 mm breed.
- Zorg ervoor dat de gasfles op een goed geventileerde plaats wordt geplaatst of vervangen, bij voorkeur buitenshuis, uit de buurt van ontstekingsbronnen zoals open vuur, waakvlammen, elektrische vuren en uit de buurt van andere mensen.
- Houd gasflessen uit de buurt van hitte en vlammen. Niet op een fornuis of een ander heet oppervlak plaatsen.
- Navulbare gasflessen mogen alleen rechtopstaand worden gebruikt om ervoor te zorgen dat de brandstof goed kan worden afgevoerd. Als u zich hier niet aan houdt, kan er vloeistof uit de gasfles lopen, wat kan leiden tot gevaarlijke situaties.
- Probeer de gasfles niet te verwijderen terwijl het apparaat in werking is.
- De gasfles moet na gebruik of bij opslag worden losgekoppeld van het toestel.

### Vlamterugslag

- In geval van vlamterugslag (wanneer de vlam terugslaat en bij de gaspit ontsteekt) onmiddellijk de gastoevoer afsluiten door eerst de afsluiter op de gasfles dicht te draaien en dan de afsluiter van het toestel. Nadat de vlam gedoofd is, de regelaar verwijderen en de staat van zijn afdichting controleren. Vervang bij twijfel de afdichting. Steek het toestel weer aan.
- Als het probleem aanhoudt, breng het product dan terug naar uw dealer.

**Lekken**

- Als er een lek in uw toestel zit (gaslicht), draai dan de gastoevoer dicht, eerst bij de gasfles en dan op uw toestel door de regelknop helemaal rechtsom te draaien. Dan onmiddellijk meenemen naar buiten naar een goed eventileerde, vlamvrije locatie waar het lek gevonden en gestopt kan worden. Als u uw apparaat op gaslekken wilt controleren, doe dit dan buiten. Probeer gaslekken niet op te sporen met een vlam; gebruik hiervoor zeepwater.

**Zo controleert u of het toestel op een degelijke manier is aangesloten op de gastoevoer**

- Het is belangrijk om alle gasaansluitingen op de juiste wijze aan te sluiten; dit voorkomt gaslekages.
- De juiste manier is door de verbindingen in te smeren met zeepwater. Als er belLEN ontstaan, is er een gaslek. Dan onmiddellijk de gastoevoer dichtdraaien, eerst door het sluiten van de afsluiter op de gasfles, en dan de afsluiter van het toestel; controleer of alle verbindingen goed gemonteerd zijn. Nog een keer controleren met zeepwater.
- Wanneer het gaslek blijft optreden het product terugsturen naar uw dealer voor inspectie / reparatie.

<b>Land van gebruik</b>	BE, CH, CY, CZ, ES, FR, GB, GR, IE, IT, LT, LU, LV, PT, SK & SI	PL	BE, CY, DK, EE, FR, FI, HU, IT, LT, NL, NO, SE, SI, SK, RO, HR, TR, BG, IS, LU, MT, & ZA	AT, CH, DE & SK
<b>Categorieën van toestel</b>	I <sub>3+(28-30/37)</sub>	I <sub>3B/P(37)</sub>	I <sub>3B/P(30)</sub>	I <sub>3B/P(50)</sub>
<b>Toegestane gassoorten</b>	Butaan-G30	Propana-G31	Butaan-G30, Propana-G31 of hun mengsel	
<b>Bedrijfsdruk</b>	28-30mbar	37mbar	37mbar	28-30mbar 50mbar
<b>Gaspijnnummer</b>	0.73	0.69	0.73	0.64
<b>Nominaal verbruik</b>	Butaan - 160 g/h per brander (160g/u x 2 = 320g/u in totaal)	Butaan - 160 g/h per brander (160g/u x 2 = 320g/u in totaal)	Butaan - 160 g/h per brander (160g/u x 2 = 320g/u in totaal)	Butaan - 160 g/h per brander (160g/u x 2 = 320g/u in totaal)
<b>Gross nom. heat input</b>	2,2 kW per brander (2kW x 2 = 4,4kW in totaal)	2,2 kW per brander (2kW x 2 = 4,4kW in totaal)	2,2 kW per brander (2kW x 2 = 4,4kW in totaal)	2,2 kW per brander (2kW x 2 = 4,4kW in totaal)

Landnamen en afkortingen				
AE = Verenigde Arabische Emiraten	AL = Albanië	AT = Oostenrijk	BE = België	CH = Zwitserland
CZ = Tsjechische Republiek	DE = Duitsland	DK = Denemarken	ES = Spanje	FI = Finland
FR = Frankrijk	GB = Verenigd Koninkrijk	GR = Griekenland	HR = Kroatië	IT = Italië
JP = Japan	KR = Korea	NL = Nederland	NO = Noorwegen	PL = Polen
PT = Portugal	RO = Roemenië	RU = Rusland	RS = Servië	SI = Slovenië
SK = Slowakije	SE = Zweden	TR = Turkije	ZA = Zuid-Afrika	

**I 3B/P (30), I3+ (28-30/37) en I 3B/P (37), Toestelcategorieën: (DK, FI, NO, NL, SE, AT, DE, BE, ES, FR, IE, IT, PT, GB, CH)**

Duw een goedgekeurde slang op de slangpilaar totdat deze goed op zijn plaats zit. Bevestig aan het andere uiteinde een geschikte lagedrukregelaar.

I3B/P(30): 30 mbar butaan configuraties regelaar of 30 mbar propaan configuraties regelaar of 30 mbar butaan/propaan mengsel configuratie regelaar.

I3B/P(37): 37 mbar butaan configuraties regelaar of 37 mbar propaan configuraties regelaar of 37 mbar butaan/propaan mengsel configuratie regelaar.

I3+(28-30/37): 30 mbar butaan configuraties regelaar of 37 mbar propaan configuraties regelaar.

Zorg er opnieuw voor dat de slang goed op zijn plaats zit. Het gebruikte type slang moet voldoen aan de relevante EN-norm en lokale wet- en regelgeving.

**I 3B/P (50) Toestelcategorie: (AT, DE, CH, SK)**

I3B/P(50): 50 mbar butaan configuraties regelaar of 50 mbar propaan configuraties regelaar of 50 mbar butaan/propaan mengsel configuraties regelaar.

Schroef een slang met de juiste schroefdraadfittingen aan elk uiteinde op de linker 1/4" BSP-schroefdraad van het ventiel. Bevestig een geschikte lagedrukregelaar van 50 mbar aan het uiteinde van de slang. De gebruikte slang en drukregelaar moeten voldoen aan DIN 4815 deel 2 of gelijkwaardig.

## 2. De gastoevoer aansluiten en vervangen

### De gastoevoer aansluiten

- Zorg vóórdat het toestel aangesloten wordt op een gasfles dat de rubberen afdichting op de regelaar op zijn plaats zit en in goede staat is.
- Voordat u de slang en de regelaar op het apparaat aansluit, moet u ervoor zorgen dat de bedieningsknop van het apparaat in de "OFF"-stand staat.
- Voer deze controle elke keer uit wanneer het toestel aan de gasfles aangesloten wordt.
- Blaas alle stof uit de opening van de gasfles om mogelijke blokkering van de gaspit te voorkomen.
- Bevestig een goedgekeurde slang en regelaar aan het apparaat.
- Zorg ervoor dat de gastoevoer (gasfles / gaspatroon) op een goed geventileerde plaats wordt geïnstalleerd, uit de buurt van ontstekingsbronnen zoals open vuur en uit de buurt van andere mensen.
- De gas slang niet afknijpen of verdraaien. Zorg ervoor dat de gas slang niet te dicht bij het kooktoestel komt om beschadiging van de gas slang door hitte te voorkomen.
- Zorg ervoor dat de gasfles altijd rechtop staat. Sluit de gasfles aan door deze met de hand goed vast te schroeven.
- Zorg ervoor dat er een volledige gasafdichting is gemaakt (controleer op gaslucht rond de aansluiting). Controleer niet op lekken met een open vlam. Gebruik alleen warm zeepwater, aangebracht op de verbindingen en aansluitingen van het apparaat. Een lekkage is te herkennen aan luchtballen.
- Als u het lek kunt herstellen, dan het toestel niet gebruiken en contact opnemen met uw plaatselijke dealer.

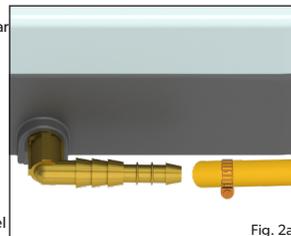


Fig. 2a

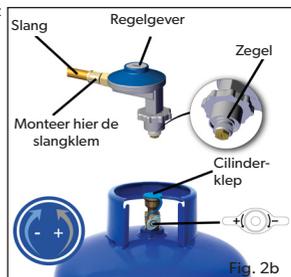


Fig. 2b

### Ontkoppelen en vervangen van de gastoevoer

- Draai na gebruik de bedieningsknop van het toestel naar de stand "OFF" en sluit de gastoevoer.
- Wanneer u uw lege fles moet vervangen, zorg er dan voor dat het gas is afgesloten bij de kraan van de gasfles.
- Rook niet tijdens het vervangen van de cilinder.
- Haal de regelaar uit de lege fles.
- Monteer de regelaar op de volle fles, zie bovenstaande instructies voor het aansluiten van de gastoevoer.
- Pas dezelfde zorg- en controleprocedures toe als bij het installeren van een nieuwe gasfles.

### Hoe controleer je of je gasfles leeg is?

- De eenvoudigste manier om te controleren of het gasniveau laag is, is door de gasfles op te tillen.
- Als u merkt dat uw gasfles iets lichter is dan normaal, kunt u de fles wegen om te bepalen hoeveel gas er nog over is. Bij de meeste flessen staat het taragewicht op de hals- of onderring gestempeld en als het opgegeven gewicht overeenkomt met het gewicht van uw fles, heeft u geen gas meer. Op basis van het gewichtverschil kun je inschatten hoeveel gas er nog over is.

## 3. Het apparaat gebruiken

- Zorg er bij het gebruik van dit apparaat voor dat alle onderdelen in goede staat verkeren en dat u bij elk gebruik op gaslekken hebt gecontroleerd voordat u het apparaat aansteekt.
- De kookvlakken kunnen eenvoudig worden gepositioneerd en zijn klaar voor gebruik. Geen montage vereist.
- **LET OP:** Zorg ervoor dat alle beschermende verpakking en plastic van het toestel verwijderd wordt voordat het in gebruik genomen wordt.
- Het toestel is ontworpen voor het gebruik van kookpannen groter dan 180 mm in diameter en niet groter dan 250 mm in diameter.

### Voorzorgsmaatregelen die u moet nemen voor het aansteken.

- Gebruik dit apparaat alleen op een stabiele en vlakke ondergrond.
- Inspecteer het apparaat na langdurige opslag op insecten en spinnenwebben die de gasstroom kunnen belemmeren.

### Het apparaat aansteken met de piezo

- Het is raadzaam om elk kookoppervlak te verwijderen wanneer u het apparaat probeert aan te steken, zodat u beter kunt zien wanneer de brander aan is.
- Om het apparaat aan te steken met behulp van de piezo-ontsteker, drukt en draait u de bedieningsknop 90° tegen de klok in en drukt u vervolgens op de piezo-knop om het gas te ontsteken (zie fig. 3). Als het gas niet ontsteekt bij de eerste vonk, draai de bedieningsknop dan terug naar de "OFF"-stand. Probeer het opnieuw door de bedieningsknop linksom in te drukken en te draaien en druk op de piezo-knop om het gas te ontsteken. Als het gas in de eerste twee tot drie seconden niet is ontstoken, moet u de gastoevoer sluiten door de regelknop terug naar de "OFF"-stand te draaien.
- Wacht ongeveer dertig seconden om eventueel in de brander opgehoopt gas te laten ontsnappen. Herhaal het bovenstaande proces indien nodig totdat de vlam ontsteekt. De vlam zou normaal gesproken binnen de eerste of twee seconden moeten ontsteken.

### Aansteken met een BBQ-aansteeker

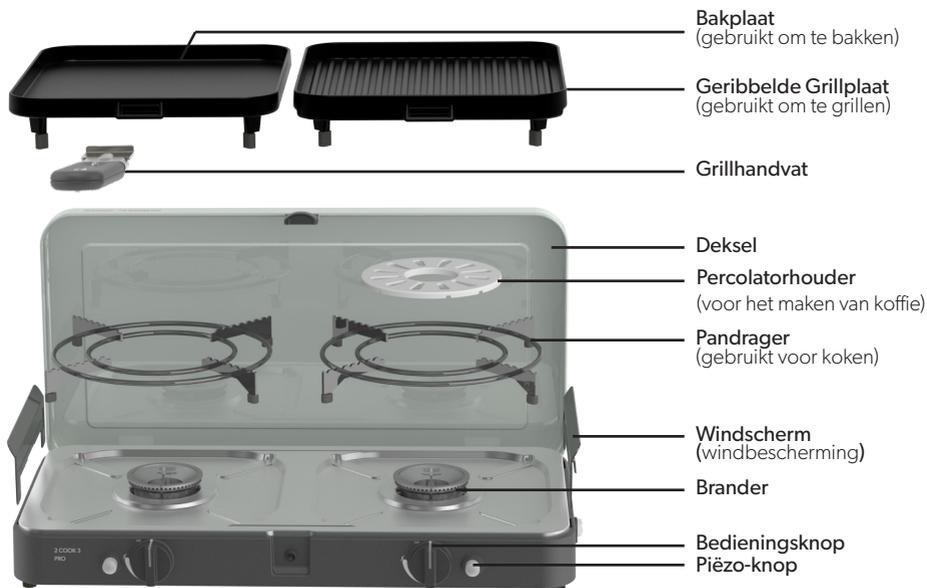
- Bij een koude start kan het apparaat van bovenaf worden aangestoken voordat het gewenste kookoppervlak wordt geplaatst. Bij het aansteken van een heet apparaat is het aan te raden om dit te doen door een BBQ-aansteeker door een van de ventilatiegaten onder de brander te steken, totdat deze in lijn is met de brander (Steeke de BBQ-aansteeker NIET door het grote gat direct eronder de brander). Steeke de barbecue aansteeker aan. Terwijl de BBQ-aansteeker brandt, drukt en draait u de bedieningsknop tegen de klok in om de brander aan te steken.



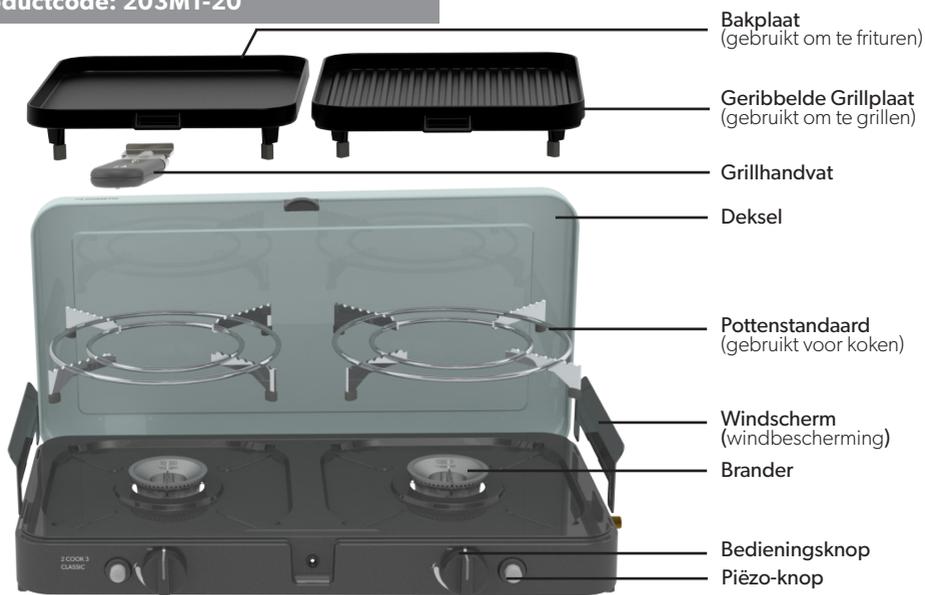
Fig. 3

**Algemeen**

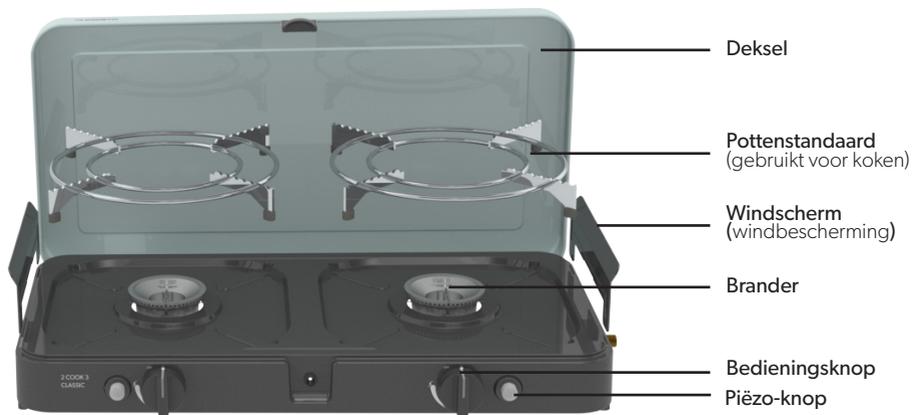
- Als het apparaat eenmaal is aangestoken, kan de intensiteit van de vlam worden aangepast door de bedieningsknop tegen de klok in te draaien om de vlam te verkleinen of met de klok mee om deze te vergroten.
- Bij het bereiden van voedsel met een hoog vetgehalte kunnen opflakkeringen optreden als het warmteniveau te hoog is. Als dit gebeurt, verlaag dan het vuur totdat de opflakkeringen stoppen.
- Verplaats het apparaat niet wanneer het in gebruik is. Het verplaatsen van het apparaat terwijl het is ingeschakeld, is gevaarlijk en kan opflakkeringen veroorzaken.
- Verwijder de gasfles of Power Pak als het apparaat niet wordt gebruikt.

**4. Componentenlijst****Productcode: 203P1-20****Productcode: 203P1-10**

## Productcode: 203M1-20



## Productcode: 203M1-10



De volgende items zijn niet inbegrepen en worden apart verkocht. Vraag naar de beschikbaarheid bij uw lokale dealer.



Soft Soak 2 Cook



Paella Pan 30  
(voor o.a. paella en  
(roer)bakken)



Percolatorhouder  
(Standaard bij model  
203P1-20)



Geribbelde  
Grillplaat  
(met grillgreep)



Bakplaat  
(met grillgreep)

## 5. GreenGrill kookopties

### GreenGrill Koken

De meeste kookoppervlakken zijn voorzien van GreenGrill coating. Deze keramische coating is volledig PFOA-vrij; het bevat geen giftige stoffen en staat garant voor gezonder koken!

#### VOORBEREIDING & GEBRUIK

- Uw grillplaat 'inbranden': Voordat u de kookplaat voor de eerste keer gebruikt, kunt u deze inbranden om de kookplaat een dunne beschermelaag te geven die voorkomt dat voedsel blijft plakken. Het is niet verplicht, maar we raden het wel aan. Het is heel eenvoudig: Wrijf het kookoppervlak in met wat olie en plaats op matig vuur gedurende 2 tot 3 minuten. Laat het kookoppervlak vervolgens afkoelen en was af met een sopje. Vet het vervolgens licht in met wat (zonnebloem)olie. Uw kookoppervlak is klaar voor gebruik!
- Let op: GreenGrill geleidert warmte beter dan producten met een reguliere (PTFE) antiaanbaklaag. We raden daarom aan om slechts 75% van het vermogen te gebruiken van wat je gewend bent.
- Laat het kookoppervlak nooit zonder olie op de warmtebron staan. Breng een dun laagje olie aan met keukenpapier of een borstel voordat je het kookoppervlak op de warmtebron plaatst. Zorg ervoor dat je het complete kookoppervlak hebt geolied, dus bijvoorbeeld ook de opstaande randjes van het BBQ rooster.
- Vanwege het hoge verbrandingspunt raden wij aan om in zonnebloemolie of koolzaadolie te bakken. Olijfolie kan een relatief laag verbrandingspunt hebben, waardoor de ingrediënten aan de pan kunnen plakken of verbranden. We raden daarom af om olijfolie te gebruiken. Tip: breng vlees of vis voor het koken op kamertemperatuur. Dit voorkomt dat het aan het kookoppervlak blijft kleven.
- Gebruik altijd siliconen en/of houten keukengerei, zodat de GreenGrill-coating niet wordt beschadigd. Gebruik nooit metalen keukengerei omdat dit de coating kan beschadigen.

#### REINIGING

- Laat het kookoppervlak afkoelen voordat u het schoonmaakt. Extreme temperatuurschommelingen kunnen vervorming van het kookoppervlak veroorzaken.
- De GreenGrill coating is 'Easy Clean'. Warm water met zeepsop met een zachte spons is voldoende om de kookoppervlakken met GreenGrill-coating te reinigen. Vermijd schuurmiddelen of staalwol.
- Als er voedselresten op het kookoppervlak zijn achtergebleven van een eerder gebruik, kunnen deze aan de coating hechten, wat kan leiden tot bruine vlekken. Op deze plekken kunnen eiwitten uit voedsel zijn achtergebleven. Hierdoor kunnen ingrediënten blijven plakken aan het kookoppervlak omdat de coating niet meer bereikt wordt. Zorg ervoor dat deze vlekken goed zijn verwijderd voor gebruik.
- Voor hardnekkige vlekken of resten op de paella pan of chef pan kunt u proberen deze een nacht in heet water met zeepsop te laten weken of de 'azijnmethode' gebruiken: giet een laagje azijn in de pan en verwarm de pan lichtjes. De azijn hoeft niet te koken en mag zeker niet helemaal verdampen. Giet de azijn uit de pan, maak de pan schoon met een sopje en de pan is weer als nieuw. Let op: warme azijn kan een onaangename geur geven.
- De CADAC | DOMETIC Soft Soak (apart verkrijgbaar) is ideaal om 's nachts weken te vergemakkelijken. Bij gebruik van de Soft Soak raden we aan om het kookoppervlak met de bovenkant naar beneden te plaatsen, zodat je maximaal kunt weken en er ook minder water wordt verbruikt.
- Houd er rekening mee dat u bij gebruik van de Soft Soak 2 Cook beide roosters tegelijk kunt laten weken. Plaats hiervoor het ene rooster met de kookzijde naar boven en het andere naar beneden, zoals te zien is op de afbeeldingen.
- Eventuele hardnekkige vlekken die na het inweken achterblijven, kunnen worden losgemaakt en weggeborsteld met de CADAC | DOMETIC Soft Soak Brush (apart verkrijgbaar)
- Afdrogen met een zachte doek en klaar!



Weken met de Soft Soak 2 Cook (Grill niet inbegrepen)



Soft Soak Brush

#### ONDERHOUD

- We raden aan om na het schoonmaken een beetje olie aan het kookoppervlak toe te voegen en deze met keukenpapier in te smeren. De olie sluit het oppervlak af van de buitenlucht en vocht. Het zorgt er ook voor dat het voedsel niet inbrandt aan de oppervlakte.
- Plaats het kookoppervlak in een plastic zak voordat u het in de opbergtas doet, zodat u zeker weet dat de opbergtas schoon en olie-vrij blijft.
- De opbergtas voorkomt schade aan de GreenGrill en uw product.

### Kookopties

- Dit zijn de beschikbare kookopties. (Gebruik windschermen bij winderige omstandigheden)

**Grillen:** Deze kookoptie is ideaal voor het vetvrij grillen van kip, worstjes, karbonades, kebabs, vis of groenten. Gebruik voor deze manier van koken het BBQ rooster.

**Let op:** Houd er rekening mee dat bij het koken van vet vlees wat vet op het apparaat zal spatten, wat opklakeringen kan veroorzaken. Wees voorzichtig bij het grillen van dergelijk vlees. De kooktemperaturen zijn eenvoudig aan uw eigen wensen aan te passen door aan de bedieningsknop te draaien om de warmtetoever te regelen.

**Bakken:** Deze optie is ideaal voor roerbakgerechten, vis, ontbijt, pannenkoeken, garnalen, paella en groenten. Gebruik voor dit soort bereidingen de bakplaat, ChefPan of paella pan. Houd er rekening mee dat hij als ondiepe pan alleen geschikt is voor ondiep frituren. Het gemakkelijk te reinigen oppervlak stimuleert een minimaal gebruik van vet voor gezond koken.

**Koken:** Hiervoor plaatst u de pandoer in de groeven zodat deze op zijn plaats zit. Plaats een geschikte pan (niet minder dan 225 mm diameter en niet meer dan 450 mm diameter). Een liter water kookt in ongeveer 6 minuten, afhankelijk van de omstandigheden, de grootte van de gebruikte pan, enz.

**Opmerking:** als u een kleine pan gebruikt, gebruik dan geen pan met plastic handvatten, omdat deze extreem heet kunnen worden.

**Paella:** deze kookoptie is ideaal voor het bereiden van paella, risotto, pastagerechten, traditioneel ontbijt, enz. De paella pan is gemaakt van hoogwaardig geperst aluminium dat zorgt voor een uitstekende warmteverdeling en -behoud.

**Koffie:** Deze optie is ideaal voor het zetten van een warme kop koffie met een koffiefilterhouder. Gebruik hiervoor de percolatorhouder.

## 6. Schoonmaken

- Het wordt aanbevolen het toestel na elk gebruik schoon te maken. Dit verlengt de levensduur van het toestel.
- Laat het apparaat afkoelen voordat u het schoonmaakt.
- Gebruik een vochtige doek uitgewrongen met wat zeepwater om de buitenkant van het toestel schoon te maken.
- Om de behuizing van het kooktoestel schoon te maken, eenvoudigweg schoonvegen met een vochtige doek en als het nodig is met wat afwasmiddel.
- NIET ONDERDOMPELEN IN WATER omdat er dan water in de brander pijp komt, waardoor het toestel defect raakt.
- Het BBQ rooster is voorzien van een duurzame keramische coating, dat tevens gebruikt wordt op het beste kookgerei ter wereld. Een goede verzorging van de coating zal helpen om jarenlang te genieten van het kookoppervlak.
- Hoewel de keramische antiaanbaklaag zeer duurzaam is, kan deze gemakkelijk worden beschadigd door het gebruik van metalen keukengerei. Het wordt daarom aanbevolen om bij het koken alleen plastic of houten keukengerei te gebruiken.
- Laat kookoppervlakken altijd afkoelen voordat u deze in water onderdompelt.
- Zorg ervoor dat er geen water op de branders of op het waakvlamgebied komt. Veeg het apparaat voor gebruik volledig droog.
- Gebruik geen schurende reinigingsmiddelen, aangezien deze de oppervlakken kunnen beschadigen.
- Reinig het apparaat na elk gebruik. Na reiniging het kookoppervlak licht met olie insmeren.
- Gebruik geen hogedrukstoomapparatuur of een waterstraal om het apparaat schoon te maken.
- Let op: Voor hardnekkige vlekken kan CADAC barbecue reiniger worden gebruikt.

## 7. Opslag

- Laat het apparaat altijd afkoelen en maak het schoon voordat u het opbergt.
- Sluit de gastoevoer naar het toestel af, ontkoppel en verwijder de gastoevoer van het toestel.
- Berg een apparaat nooit op terwijl de gastoevoer is aangesloten, dit is niet veilig.
- Bewaar het apparaat en de gastoevoer in een goed geventileerde ruimte uit de buurt van brandbare materialen. Gasflessen dienen bij voorkeur buiten te worden opgeslagen en NIET in een kelder.

## 8. Onderhoud en probleemoplossing

### Onderhoud

- Als u uw apparaat regelmatig schoonmaakt en onderhoudt, verlengt u de levensduur van uw apparaat en neemt de kans op problemen af.
- Dit apparaat heeft geen gepland onderhoud nodig.
- Dit apparaat mag alleen worden onderhouden door een bevoegd persoon.
- Controleer uw gasslang en aansluitingen regelmatig op lekkage en elke keer dat de gasfles of Power Pak vervangen of opnieuw aangesloten wordt.

### Probleemoplossing

Bij vlamspatten of verstopping van de inspuiter:

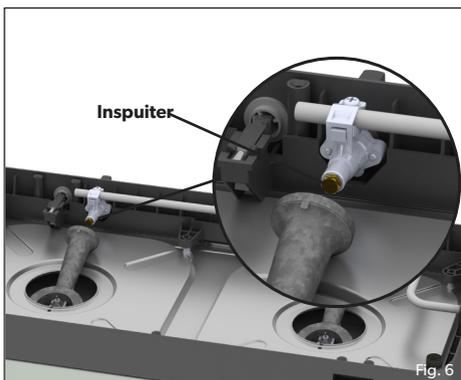
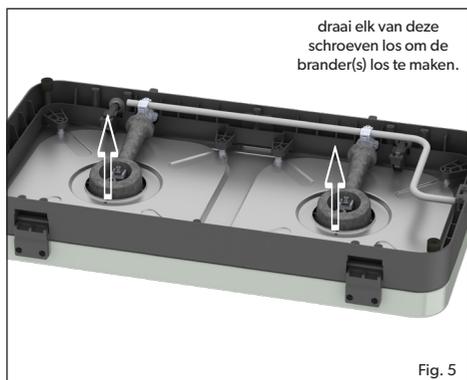
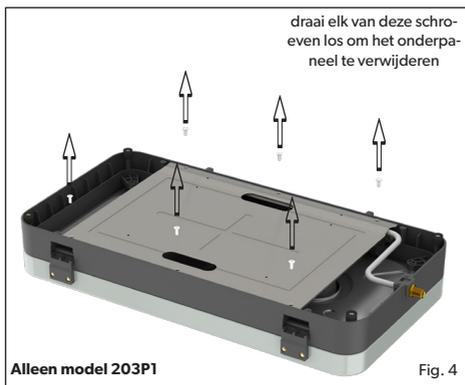
- Reinig uw branderpoorten in geval van overlopen.
- We raden aan om de jets elke zes (6) maanden te reinigen of te vervangen om een blijvende efficiënte werking van uw apparaat te garanderen.
- Als het apparaat zich na opslag abnormaal gedraagt en bij alle controles het probleem niet aan het licht is gekomen, kan het de venturi verstopt zijn. Een verstopte venturi kan in extreme gevallen herkend worden aan een zwakkere gelige vlam of helemaal geen vlam. Controleer in dit geval of er geen stof, insecten, spinnewebben etc. in het apparaat zitten.
- Dit kan door de jet met standaard gereedschap te verwijderen en eventueel vuil uit de inspuiter te blazen. U kunt ook nieuwe inspuiter kopen bij uw plaatselijke dealer. Probeer de inspuiter niet mechanisch te reinigen.

### Om een geblokeerde inspuiter te vervangen:

- Uw apparaat is uitgerust met een inspuiter van een bepaalde maat om de juiste hoeveelheid gas te regelen.
- Als het gat in de inspuiter verstopt raakt, kan dit resulteren in een kleine vlam of helemaal geen vlam. Probeer de inspuiter niet schoon te maken met een speld of iets dergelijks, omdat dit de opening kan beschadigen, waardoor het apparaat onveilig wordt.
- **De inspuiter vervangen:** Verwijder eventuele kookoppervlakken, sluit het deksel en draai het apparaat ondersteboven. Draai het bodempaneel voorzichtig los door de schroeven te verwijderen (Fig. 4)(Alleen model 203P1). Draai de schroef op de betreffende brander(s) los (Fig. 5), draai de brander voorzichtig los en laat hem vallen zoals afgebeeld om de inspuiter bloot te leggen. Merk op dat de brander is aangesloten op de piëzo-kabel, controleer na het vervangen van de inspuiter en het opnieuw monteren of deze kabel nog steeds is aangesloten. De inspuiter is nu zichtbaar op het ventiel, verwijder de inspuiter met een geschikte sleutel (Fig. 6). Gebruik geen tang op de inspuiter, omdat dit de inspuiter kan beschadigen, waardoor deze onbruikbaar of onmogelijk te verwijderen is. Schroef de nieuwe inspuiter in het ventiel. Niet te vast aandraaien omdat dit de inspuiter kan beschadigen.
- De bovenstaande procedure omgekeerd uitvoeren om het toestel weer in elkaar te zetten.

### De slang vervangen:

- De montage van een slang wordt beschreven in hoofdstuk 2



## 9. Reserveonderdelen en accessoires

- Gebruik altijd originele reserveonderdelen, aangezien deze zijn ontworpen om optimale prestaties te leveren.

Reserveonderdelen		Reserveonderdelen		Accessoires	
Item	Artikelnr. onderdeel	Item	Artikelnr. onderdeel	Item	Artikelnr. accessoire
	202-SP004		202-SP011		203-100
	202-SP012		202-SP020		203-900
	203P-SP001		203P-SP002		8640
	203P-SP003		203P-SP005		203-200
	203P-SP008		203P-SP011		203-300
	203P-SP015		203P-SP018		98326
	HM6-073 (Inspuiter 0.73 28-30 mbar) HM6-069 (Inspuiter 0.69 37mbar) HM6-064 (Inspuiter 0.64 50mbar)		203P-SP012		
	203P-SP023				

## 10. Garantie

CADAC Europe BV garandeert bij deze aan de OORSPRONKELIJKE KOPER van dit CADAC Europe BV gas toestel, dat het zonder gebreken in materiaal en vakmanschap zal zijn vanaf de datum van aankoop zoals volgt:

Afsluiters:	2 jaar
Plastic onderdelen:	Geen garantie
Spuiltgieten	1 jaar
Emaille delen:	2 jaar
Branders:	1 jaar

Deze garantie is alleen van toepassing als het apparaat samengesteld is en bediend wordt overeenkomstig de afgedrukte instructies.

CADAC Europe BV mag redelijk bewijs eisen van uw aankoopdatum. DAAROM MOET U DE KASSABON OF FACTUUR BEWAREN.

Deze beperkte garantie is beperkt tot de reparatie of vervanging van onderdelen die defect blijken te zijn bij normaal gebruik en onderhoud en die er na onderzoek op zullen duiden, naar tevredenheid van CADAC Europe BV, dat ze defect zijn. Voordat er onderdelen geretourneerd worden, graag contact opnemen met de vertegenwoordiger van de klantenservice in uw regio gebruikmakend van de contactinformatie die gegeven is samen met uw handleiding. Als CADAC Europe BV het defect bevestigt en de claim goedkeurt, zal CADAC Europe BV er voor kiezen zulke onderdelen kosteloos te vervangen. CADAC Europe BV zal de onderdelen opsturen naar de koper, vracht of post vooruitbetaald.

Deze beperkte garantie dekt geen gebreken of problemen met de werking ten gevolge van een ongeluk, misbruik, verkeerd gebruik, wijziging, verkeerd gebruik, vandalisme, onjuiste installatie of onjuist onderhoud of service, of verzuim in het uitvoeren van normaal en routinematig onderhoud, inclusief maar niet gelimiteerd tot schade veroorzaakt door insecten in de brander buizen, zoals uiteengezet in deze gebruikershandleiding.

Aantasting of schade ten gevolge van barre weersomstandigheden zoals hagel, orkanen, aardbevingen of tornado's, verkleuring ten gevolge van blootstelling aan chemische stoffen hetzij rechtstreeks of in de atmosfeer, wordt niet gedekt door deze beperkte garantie.

Er zijn geen andere uitdrukkelijke garanties behalve zoals hierin uiteengezet en alle geldende impliciete garanties van verhandelbaarheid en geschiktheid zijn in duur gelimiteerd tot de periode van dekking van deze uitdrukkelijk schriftelijke beperkte garantie. Sommige regio's staan geen beperking toe met betrekking tot hoe lang een expliciete garantie duurt, dus deze beperking is mogelijk niet op u van toepassing.

CADAC Europe BV is voor geen enkele speciale, indirecte of gevolgschade aansprakelijk. Sommige regio's staan geen uitsluiting of beperking toe van incidentele of gevolgschades, dus deze beperking is mogelijk niet op u van toepassing.

CADAC Europe BV autoriseert geen enkel persoon of bedrijf tot het aannemen van enige verplichting of aansprakelijkheid in verband met de verkoop, installatie, gebruik, verwijdering, retournering, of vervanging van zijn apparatuur; en geen van dergelijke vertegenwoordigingen zijn bindend voor CADAC Europe BV.

Deze garantie is alleen van toepassing op producten die verkocht worden in de detailhandel.

Om te genieten van een lange levensduur van uw product, graag de paragraaf schoonmaken en onderhoud van de gebruikershandleiding raadplegen.

## Forklaring av symboler



Resirkulering av emballasjemateriale. Plasser emballasjematerialet i riktige søppelkasser for resirkulering der det er mulig.

## ADVARSEL

**NO**

Sørg for rikelig ventilasjon. Dette gassapparatet forbruker luft (oksygen). Bruk ikke apparatet på et uventilert sted for å unngå å utsette deg selv for fare. Dersom enda flere gassapparater og/eller beboere som bruker gass kommer i tillegg på stedet, må det skaffes til veie ytterligere ventilasjon.

## VIKTIG

Les disse instruksjonene nøye slik at du kan gjøre deg kjent med apparatet før du kobler det til den tilhørende gassbeholderen. Oppbevar disse instruksjonene til senere bruk.

## 1. Sikkerhetsinformasjon

Disse instruksjonene er til for din sikkerhet og for å bidra til at du ikke risikerer å bli skadet og/eller at noe blir ødelagt. Alle garantier blir ugyldiggjort dersom du ikke følger disse instruksjonene.

- Dette apparatet er i samsvar med BS EN 484.
- Gassapparater krever ventilasjon for effektiv ytelse og for å ivareta sikkerheten til brukere og andre personer i umiddelbar nærhet. Ikke bruk apparatet i et uventilert område. Den er kun beregnet for utendørs bruk.
- Rommet hvor dette apparatet benyttes bør ha et vindu eller en dør som kan åpnes eller holdes delvis åpen ved bruk. Dersom verken vindu eller dør er tilgjengelig for å ventilere rommet, må ekstra ventilasjon installeres for sikkerheten din.
- Sørg for at bruken av apparatet foregår i et godt ventilert område.
- **ADVARSEL: UTSATTDE DELER KAN VÆRE VELDIG VARME. HOLD SMÅ BARN BORTE.**
- Les instruksjonene før apparatet tas i bruk.
- **Kun for utendørs bruk!**

### Montering og bruk

- Ikke bruk apparatet hvis det har skadede eller slitte pakninger.
- Bruk ikke et apparat som lekker, skadet eller som ikke fungerer skikkelig.
- Vis forsiktighet i håndteringen av apparatet; ikke slipp det ned.
- Bruk alltid apparatet på en fast, jevn overflate.
- Sørg for at det monterte produktet er stabilt og at det ikke vipper.
- Dette apparatet er ikke egnet for installasjon eller tilkobling til en nettføret gassforsyning.
- Sørg for at apparatet holdes borte fra brannfarlige materialer når det er i bruk. Trygge minimumsavstander er: over apparatet - 1,2 m, på baksiden og på sidene - 0.6m. (fig.1a)
- Ved bruk av gryte er minimum anbefalte grytestørrelse 180 mm og maksimum grytestørrelse er 250 mm.
- Ikke bruk en kokeplate eller gryte som er større enn anbefalt størrelse. Våre kokeoverflater er spesialdesignet for å la gassforbrenning slippe ut, og lukking av dette rommet kan påvirke ytelsen til dette apparatet.
- Ikke modifierer dette apparatet, enhver modifikasjon kan være farlig. Ikke bruk den til noe den ikke er designet for.
- Flytt ikke på apparatet når det er i bruk.
- Forlat aldri apparatet uten tilsyn når det er tent.
- Når det er i bruk vil apparatets deler bli svært varme (spesielt brenneren). Unngå å ta på varme deler med bare hender. Bruk av hansker anbefales.
- Sørg for at alle kokeplater/ grytestativer er riktig plassert når du bruker apparatet.

### Slange

- Slangen og pakningen på regulatoren må kontrolleres for slitasje eller skade før hver gangs bruk og før tilkobling til gassbeholderen.
- Ikke bruk apparatet hvis slangen er skadet eller slitt. Bytt slangen.
- Ikke vri eller klem slangen sammen.
- Slangelengden bør ikke være mindre enn 0.8m og bør ikke overstige 1,2m. Bytt ut slangen når den er skadet eller viser tegn på sprøhet eller sprekker.

### Gassbeholder

- Gass tilføres enheten via en slange og regulator. Slangen og regulatoren kan kobles til en gassflaske eller en Power Pak, som er en enhet som tar to eller flere gasspatroner. Merk: Slange, regulator og Power Pak følger ikke med apparatet.
- **FORSØK Å MONTERE ANDRE TYPER GASSSYLINDRE ELLER GASSPATRONER (BRUKT SAMMEN MED POWER PAK) KAN VÆRE FARLIG.**
- Dette apparatet må kun brukes med en godkjent slange og regulator.
- Skal kun brukes med en gassflaske som ikke overstiger 500 mm i høyden (ikke inkludert regulatoren) og 400 mm i bredden.
- Sørg for at gassbeholderen er montert eller byttet på et godt ventilert sted, fortrinnsvis utendørs, vekk fra antennelseskilder som åpen ild, piloter, elektriske brenner og borte fra andre mennesker.
- Hold gassbeholdere unna varme og flammer. Ikke plasser på en komfyр eller andre varme overflater.
- Etterfyllebare beholdere skal kun brukes i oppreist stilling for å sikre riktig drivstoffuttak. Unnlatelse av å følge dette kan føre til væskeutslipp fra gassbeholderen som resulterer i farlige driftsforhold.
- Ikke prøv å fjerne gassbeholderen mens apparatet er i drift.
- Gassbeholderen må kobles fra apparatet etter bruk eller under oppbevaring.

### Blinkende flammer

- Dersom flammen går tilbake (når flammen brenner tilbake / bakover og antenner ved dysen) stenges gasstilførselen straks av ved å først stenge kontrollventilen på gassbeholderen og deretter apparatventilen. Etter at flammen er slukket fjernes regulatoren og pakningens tilstand kontrolleres. Bytt pakningen dersom du er i tvil. Tenn apparatet igjen.
- Dersom flammen fortsetter å gå tilbake, returnerer du produktet til din autoriserte reparatør.

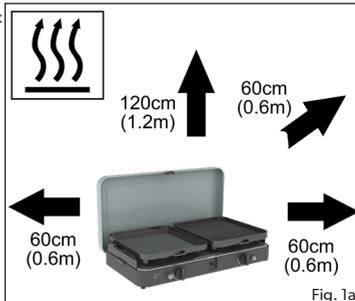


Fig. 1a

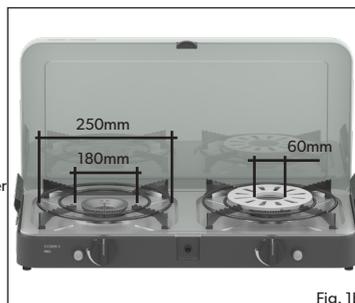


Fig. 1b

**Lekkasjer**

- Dersom det er en lekkasje i apparatet ditt (gasslukt), skrus gasstilførselen av, først på gassbeholderen og deretter på apparatet ditt ved å vri de respektive knappene med urviserne fullt ut. Ta dem straks med utenfor til et godt ventilert, flammefritt område hvor lekkasjen kan avdekkes og stoppet. Dersom du ønsker å kontrollere om det finnes lekkasjer på apparatet ditt, så gjør dette utendørs. Ikke forsøk å avdekke lekkasjer ved hjelp av ild / flamme, bruk såpevann.
- Dersom gasslekkasjen vedvarer, returneres produktet til din forhandler for kontroll / reparasjon.

 **Hvordan kontrollere at apparatet er koblet til gasstilførselen på en forsvarlig måte**

- Det er viktig at alle gasstilkoblinger er skikkelig tilkoblet for å forhindre enhver form for gasslekkasjer.
- Den riktige fremgangsmåten er å smøre sammenføyningene inn med såpevann. Dersom det dannes seg bobler, betyr det at det finnes en gasslekkasje. Slå straks av gasstilførselen, ved først å lukke kontrollventilen på gassbeholderen og deretter apparatventilen; kontroller at alle tilkoblinger er skikkelig på plass. Kontroller en gang til med såpevann. Dersom gasslekkasjen vedvarer, returneres produktet til din forhandler for kontroll / reparasjon.
- Dersom gasslekkasjen vedvarer, returneres produktet til din forhandler for kontroll / reparasjon.

<b>Gjelder for bruk i følgende land</b>	BE, CH, CY, CZ, ES, FR, GB, GR, IE, IT, LT, LU, LV, PT, SK & SI		PL	BE, CY, DK, EE, FR, FI, HU, IT, LT, NL, NO, SE, SI, SK, RO, HR, TR, BG, IS, LU, MT, & ZA	AT, CH, DE & SK
<b>Apparatkategorier</b>	I <sub>3+(28-30/37)</sub>		I <sub>3B/P(37)</sub>	I <sub>3B/P(30)</sub>	I <sub>3B/P(50)</sub>
<b>Godkjente gastyper</b>	Butan-G30	Propan-G31	Butan-G30, Propan-G31 eller deres blanding		
<b>Driftstrykk</b>	28-30mbar	37mbar	37mbar	28-30mbar	50mbar
<b>Munnstykke nummer</b>	0.73		0.69	0.73	0.64
<b>Kalkulert forbruk</b>	Butan - 160g/h per brenner (160g/h x 2 = 320g/h totalt)		Butan - 160g/h per brenner (160g/h x 2 = 320g/h totalt)	Butan - 160g/h per brenner (160g/h x 2 = 320g/h totalt)	Butan - 160g/h per brenner (160g/h x 2 = 320g/h totalt)
<b>Brutto varme nom. input</b>	2.2kW per brenner (2.2kW x 2 = 4.4kW totalt)		2.2kW per brenner (2.2kW x 2 = 4.4kW totalt)	2.2kW per brenner (2.2kW x 2 = 4.4kW totalt)	2.2kW per brenner (2.2kW x 2 = 4.4kW totalt)

**Navn på land og forkortelser**

AE = De forente arabiske emirater	AL = Albania	AT = Østerrike	BE = Belgia	CH = Sveits
CZ = Tsjekkisk Republikk	DE = Tyskland	DK = Danmark	ES = Spania	FI = Finland
FR = Frankrike	GB = Storbritannia	GR = Hellas	HR = Kroatia	IT = Italia
JP = Japan	KR = Korea	NL = Nederland	NO = Norge	PL = Polen
PT = Portugal	RO = Romania	RU = Russland	RS = Serbia	SI = Slovenia
SK = Slovakia	SE = Sverige	TR = Tyrkia	ZA = Sør-Afrika	

**I 3B/P (30), I 3+ (28-30/37) og I 3B/P (37), Apparatkategorier: (DK, FI, NO, NL, SE, AT, DE, BE, ES, FR, IE, IT, PT, GB, CH)**

Skyv en godkjent slange på ventilens endestykke til den sitter ordentlig på plass. På den andre enden fester du en passende lavtryksregulator.

I3B/P(30): 30mbar butankonfigurasjonsregulator eller 30mbar propankonfigurasjonsregulator eller 30mbar butan/propanblandingskonfigurasjonsregulator.

I3B/P(37): 37mbar butankonfigurasjonsregulator eller 37mbar propankonfigurasjonsregulator eller 37mbar butan/propanblandingskonfigurasjonsregulator.

I3+(28-30/37): 30mbar butankonfigurasjonsregulator eller 37mbar propankonfigurasjonsregulator.

Pass igjen på at slangen sitter riktig. Slangetypen som brukes skal være i samsvar med den relevante EN-standarden og plasseringskravet.

**I 3B/P (50) Apparatkategori: (AT, DE, CH, SK)**

I3B/P(50): 50mbar butankonfigurasjonsregulator eller 50mbar propankonfigurasjonsregulator eller 50mbar butan/propanblandingskonfigurasjonsregulator.

Skru en slange med riktige gjengede beslag i hver ende, på venstre 1/4" BSP-gjenge på ventilen. Fest en passende 50mbar lavtryksregulator på enden av slangen. Slangen som brukes må være i samsvar med DIN 4815 del 2 eller tilsvarende.

## 2. Montering og endring av gassforsyningen

### Koble til gasstilførselen

- Før apparatet kobles til gassbeholderen må det sørges for at gummipakningen på regulatoren er på rett plass og i god stand.
- Før du kobler slangen og regulatoren til apparatet, kontroller at apparatets kontrollknapp er i "OFF"-posisjon.
- Utfør denne kontrollen hver gang du kobler apparatet til en gassbeholder.
- Blås bort mulig støv fra beholderåpningen for å unngå en mulig blokkering i dysen.
- Koble en godkjent slange og regulator til apparatet.
- Sørg for at gasstilførselen (gassflaske / gasspatron) er installert på et godt ventilert sted vekk fra enhver antenneskilde, som åpen ild og borte fra andre mennesker.
- Ikke vri eller klem slangen sammen. Se til at den føres bort fra hoveddelen av apparatet for å forhindre kvalitetsforringelse / skade på slangen på grunn av sterk varme.
- Forviss deg om at gassbeholderen holdes i stående posisjon hele tiden. Koble til beholderen ved å skru stramt til for hånd til den er helt tilkoblet.
- Sørg for at det er laget en fullstendig gasstetning (sjekk om det lukter gass rundt koblingen). Ikke se etter lekkasjer med åpen ild. Bruk kun varmt såpevann som påføres skjotene og koblingene til apparatet. Eventuell lekkasje vil vis seg som bobler rundt lekkasjeområdet.
- Dersom du ikke kan korrigerer gasslekkasjen skal du ikke bruke apparatet, men kontakte din lokale forhandler for assistanse.

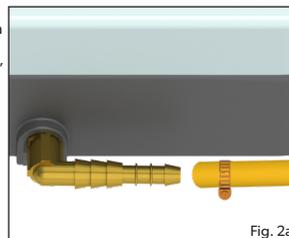


Fig. 2a

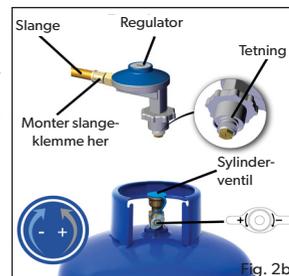


Fig. 2b

### Howdan koble fra og endre gasstilførselen

- Etter bruk, vri kontrollknappen på apparatet til "OFF"-posisjon og lukk gasstilførselen.
- Når du bytter ut den tomme sylindere, sørg for at gassen er lukket ved sylinderventilen.
- Ikke røyk mens du bytter ut sylindere.
- Fjern regulatoren fra den tomme flasken.
- Monter regulatoren på den fulle sylindere, se instruksjonene ovenfor for tilkobling av gasstilførselen.
- Bruk samme pleie- og overvåkingsprosedyrer som når du installerer en ny gassflaske.

### Howdan sjekker du om gassflasken din er tom?

- Den enkleste måten å sjekke om gassnivået er lavt er å løfte gassflasken.
- Hvis du merker at gassflasken din er litt lettere enn normalt, kan du veie sylindere for å finne ut hvor mye gass som er igjen. De fleste flasker har sin egen tomvekt stemplet på halsen eller bunningen, og hvis vekten som er oppført samsvarer med vekten på flasken din, er du tom for gass. Basert på vektforskjellen kan du anslå hvor mye gass som er igjen.

## 3. Betjening av apparatet

- Når du bruker dette apparatet, sørg for at alle deler er i god stand og at du har sjekket for gasslekkasjer før hver bruk og tenning.
- Kokeflater kan enkelt plasseres og er klare til bruk. Ingen montering nødvendig.
- **VÆR OPPMERKSOM PÅ:** Vennligst sørg for at all beskyttende innpakning og plast fjernes fra apparatet før bruk.
- Apparatet er designet for bruk med kokekar som ikke er mindre enn 180 mm i diameter og ikke større enn 250 mm i diameter.

### Forholdsregler som må følges før du slår på

- Bruk denne enheten kun på en stabil og jevn overflate.
- Etter lengre tids lagring, inspisier enheten for insekter og spindelvev som kan hindre gassstrømmen.

### Tenning av apparatet med piezo

- Det er tilrådelig å fjerne eventuelle kokeoverflater når du prøver å tenne apparatet, slik at du bedre kan se når brenneren er på.
- For å tenne opp apparatet med piezotenner, trykk og vri kontrollknappen 90° mot klokken, og trykk deretter på piezoknappen for å tenne gassen (se fig. 3). Hvis gassen ikke antennes ved den første gnisten, vri kontrollknappen tilbake til "OFF"-posisjonen. Prøv igjen ved å trykke og dreie kontrollknappen mot klokken og trykke på piezoknappen for å tenne gassen. Hvis gassen ikke har antent i løpet av de første to til tre sekundene, bør du stenge kontrollventilen ved å vri kontrollknappen tilbake til "OFF"-posisjon.
- Vent omtrent tretti sekunder for å la eventuell gass som kan ha samlet seg i brenneren slippe ut. Gjenta prosessen ovenfor etter behov til flammen tenner. Flammen skal normalt antennes i løpet av de første eller to sekundene.

### Tenning med en BBQ lighter

- Når du starter kald, kan apparatet tennes fra toppen før ønsket kokeoverflate monteres. Når du fyrer opp et varmt apparat, anbefales det at dette gjøres ved å stikke en BBQ-lighter gjennom et av ventilasjonshullene under brenneren, til den er på linje med brenneren (IKKE plasser BBQ-lighteren gjennom det store huller rett under brenneren). Tenn BBQ lighteren. Mens BBQ lighteren er tent, trykk og vri kontrollknappen mot klokken for å tenne brenneren.



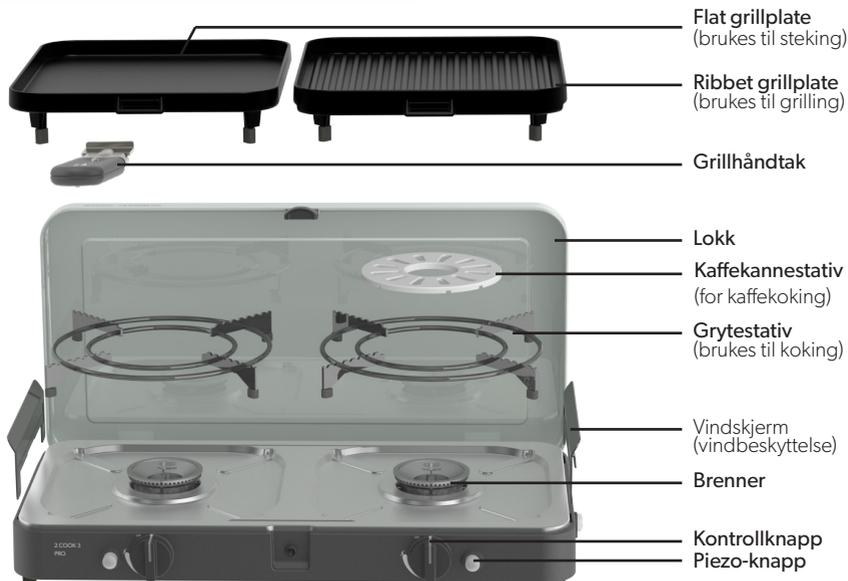
Fig. 3

**Generell**

- Når apparatet er tent, kan flammens intensitet justeres ved å vri kontrollknappen mot klokken for å redusere flammen eller med klokken for å øke den.
- Når du tilbereder mat med høyt fettinnhold, kan det oppstå oppblussing hvis varmenivået er for høyt. Hvis dette skjer, reduser varmen til oppblussingene stopper.
- Ikke flytt enheten når den er i bruk. Å flytte enheten mens den er slått på er farlig og kan forårsake oppblussing.
- Etter bruk, lukk først gassflaskens kontrollventil (hvis den finnes). Når flammen er slukket, lukk apparatets kontrollventil

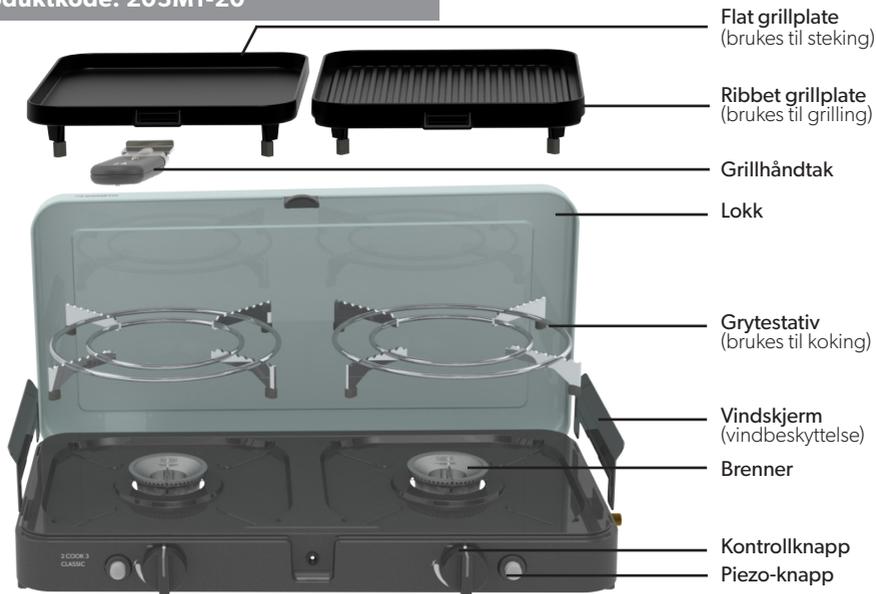
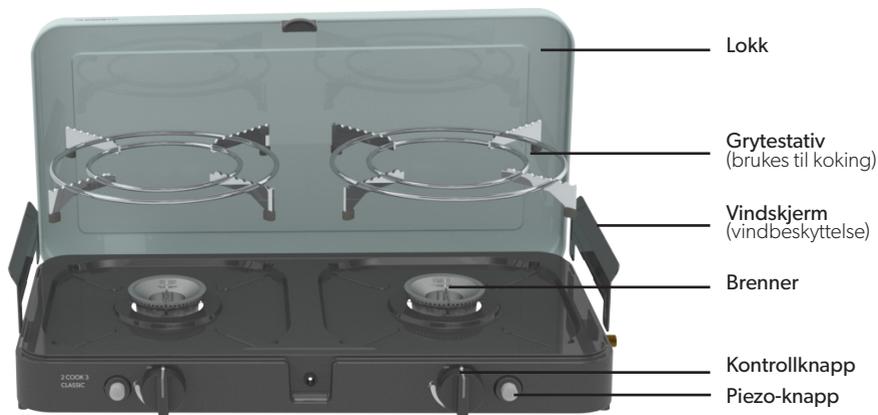
## 4. Komponentliste

Produktkode: 203P1-20



Produktkode: 203P1-10



**Produktkode: 203M1-20**

**Produktkode: 203M1-10**


Følgende overflater er ikke inkludert og selges separat. Sjekk tilgjengeligheten med din lokale forhandler.



Soft Soak 2 Cook



Paella Pan 30  
(brukt av paella/  
steking)



Kaffekannestativ  
(standard med 203P1-  
20-modellen)



Ribbet grillplate  
(med grillhåndtak)



Flat grillplate  
(med grillhåndtak)

## 5. GreenGrill Matlagingsalternativer

### GreenGrill matlaging

De fleste kokeoverflater har vårt GreenGrill-belegg. Dette keramiske belegget er helt PFOA-fritt; den inneholder ingen giftige stoffer, og garanterer sunnere matlaging!

#### FORBEREDELSE OG BRUK

- For å "krydre" grillen: før du bruker kokeoverflaten for første gang, kan du krydre den for å gi kokeoverflaten et tynt beskyttende lag som forhindrer at maten setter seg fast. Det er ikke nødvendig, men vi anbefaler det. Det er veldig enkelt: gni lett matolje på overflaten og legg deretter på middels varme i 2-3 minutter. Når den er avkjølt, vask kokeoverflaten med såpevann før bruk og smør den lett med litt olje (valgfri matolje, f.eks. solsikkeolje). Den er klar til bruk!
- Merk: GreenGrill-belegg leder varme bedre enn produkter med vanlig (PTFE) non-stick-belegg. Vi anbefaler derfor å bruke kun 75 % av kraften av det du er vant til.
- La aldri kokeoverflaten stå på varmekilden uten olje. Påfør et tynt lag olje med et kjøkkenpapir eller en børste før du legger kokeflaten på varmekilden. Pass på at du har oljet alle deler, så med f.eks. et BBQ-nett inkluderer også de hevde kantene.
- Vi anbefaler å steke i solsikkeolje eller rapsolje på grunn av det høye kokepunktet. Olivenolje kan ha et relativt lavt kokepunkt, noe som kan føre til at ingrediensene fester seg til pannen eller brenner seg. Vi anbefaler derfor ikke bruk av olivenolje. Tips: bringe kjøtt eller fisk til romtemperatur før steking. Dette vil forhindre at den fester seg til kokeoverflaten.
- Bruk alltid silikon og/eller treredskaper slik at GreenGrill-belegget ikke blir skadet. Bruk aldri metallredskaper da dette kan skade belegget.

#### RENGJØRING

- La kokeoverflaten avkjøles før rengjøring. Ekstreme temperaturendringer kan forårsake deformering av kokeoverflaten.
- GreenGrill-belegget er "Easy Clean". Varmt såpevann med en myk svamp er nok til å rengjøre koketoppene med GreenGrill-belegg. Unngå skuresvamp eller stålull.
- Hvis matrester forblir på kokeoverflaten fra tidligere bruk, kan de feste seg til belegget og resultere i brune flekker. På disse stedene kan ingredienser feste seg til kokeoverflaten fordi belegget ikke lenger er tilgjengelig. Sørg for at disse flekkene er ordentlig fjernet før bruk.
- For gjenstridige flekker eller rester på paellapannen eller stekepannen, prøv å bløtlegge den over natten i varmt såpevann eller bruk "eddikemetoden": hell et lag eddik i pannen og varm opp pannen litt. Eddiken trenger ikke å koke og bør absolutt ikke fordampe helt. Hell eddiken ut av pannen, rengjør pannen med såpevann og pannen er som ny igjen. Merk: oppvarming av eddik kan gi en ubehagelig lukt.
- CADAC | DOMETIC Soft Soak (selges separat) er det ideelle følgeproduktet for å gjøre det lettere å bløtlegge over natten. Når du bruker Soft Soak, anbefaler vi at du legger kokeoverflaten med forsiden ned, noe som gir maksimal bløtlegging og bruker mindre vann.
- Vær oppmerksom på at når du bruker Soft Soak 2 Cook, kan du legge begge ristene i bløt samtidig. For å gjøre dette, plasser den ene grillside opp, og den andre vendt nedover som vist på bildene.
- Eventuelle gjenstridige flekker som gjenstår etter bløtlegging, kan løses og børstes bort med CADAC | DOMETIC Soft Soak Brush (selges separat)
- Tørk av med en myk klut og du er ferdig!

#### VEDLIKEHOLD

- Vi anbefaler å tilsette litt olje på kokeoverflaten etter rengjøring og spre den med kjøkkenpapir. Oljen forsegler overflaten fra uteluft og fuktighet. Det sørger også for at maten ikke brenner seg fast i overflaten.
- Legg kokeoverflaten i en plastpose før du legger den i oppbevaringsposen slik at du er sikker på at oppbevaringsposen forblir ren og oljefri.
- Oppbevaringsposen forhindrer skade på GreenGrill-belegget og produktet ditt.
- Plaats het kookoppervlak in een plastic zak voordat u het in de opbergtas doet, zodat u zeker weet dat de opbergtas schoon en olievrij blijft.
- De opbergtas voorkomt schade aan de GreenGrill en uw product



Bløtlegging med Soft Soak 2 Cook  
(Grill er ikke inkludert)



Soft Soak Brush

### Matlagingsalternativer

- Dette er de tilgjengelige matlagingsalternativene. (Bruk frontruter i tilfelle vindforhold)

**Grilling:** Dette tilberedningsalternativet er ideelt for fettfri grilling av kylling, pølser, koteletter, kebab, fisk eller grønnsaker. For denne typen matlaging, bruk 'grillplaten' / 'grill plate'

**Forsiktig:** Vær oppmerksom på at når du tilbereder fett kjøtt, vil noe fett sprute på enheten som kan forårsake oppblussing. Vær forsiktig når du håndterer slikt kjøtt. Grilltemperatur justeres enkelt for å passe dine egne behov ved å vri på kontrollknappen for å regulere temperaturen.

**Fry:** Dette alternativet er ideelt for rørte frites, fisk, frokost, pannekaker, reker, paella og grønnsaker. Bruk den flate grillen til denne typen matlaging. Husk at som en grunn panne er den kun egnet til grunn steking. Den lett å rengjøre overflaten oppmuntrer til minimal bruk av fett for sunn matlaging.

**Koking:** For denne typen matlaging, plasser grytestativet i sporene for å sikre at det sitter riktig. Plasser en passende gryte (ikke mindre enn 180 mm i diameter og ikke mer enn 250 mm i diameter). En liter vann vil koke på ca. 6 minutter, avhengig av forholdene, størrelsen på kjelen som brukes osv.

**Merk:** Når du bruker små gryter, prøv ikke å bruke gryter med plasthåndtak, da disse kan bli ekstremt varme.

**Paella:** Dette tilberedningsalternativet er ideelt for tilberedning av paella, risotto, pastaretter, tradisjonell frokost osv. Paella Pan 30 er laget av høykvalitets presset aluminium som gir utmerket varmfordeling og oppbevaring.

**Kaffe:** Dette alternativet er ideelt for å brygge en varm kopp kaffe. Ideell for når som helst, hvor som helst.

## 6. Rengjøring

- Det anbefales at du rengjør apparatet ditt etter hver bruk. Dette vil forlenge livet til apparatet ditt.
- La apparatet avkjøles før du rengjør det.
- Bruk en fuktig klut vridd ut i en løsning av såpevann for å rengjøre de utvendige overflatene.
- For å rengjøre apparatets hoveddel kan du enkelt tørke av det med en fuktig klut med litt vaskemiddel på, dersom det er behov for det.
- MÅ IKKE NEDSENKES I VANN da dette kan resultere i at vann trenger inn i brennerrøret som vil føre til funksjonssvikt i apparatet.
- Grillplaten er belagt med et tøft slitesterk keramisk non-stick-belegg som har blitt brukt med stor suksess på noen av de beste kokekarene i verden. Likevel kan det å ta vare på det hjelpe deg å nytte ekstra år med sunn, enkel matlaging uten klebing.
- Selv om det keramiske non-stick-belegget er svært slitesterkt, kan det lett bli skadet ved bruk av metallredskaper. Det anbefales derfor at det kun brukes plast- eller treskaper ved matlaging.
- La alltid grillen/flatplaten avkjøles før den senkes i vann.
- Pass på at det ikke kommer vann inn på brennerne eller pilot-/lysområdet. Tørk apparatet helt tørt før bruk.
- Ikke bruk skurende rengjøringsmidler da de kan skade overflatene.
- Rengjør apparatet etter hver bruk. Etter rengjøring, kondisjoner koketoppen ved å tørke lett med olje.
- Ikke bruk høytrykksdamputstyr eller vannstråle for å rengjøre apparatet.
- Merk: For gjenstridige flekker kan CADAC ovnsrens brukes.

## 7. Oppbevaring

- La alltid enheten avkjøles og rengjøres før oppbevaring.
- Slå av gassstilførselen til apparatet, koble fra og fjern gassstilførselen fra apparatet.
- Oppbevar aldri et apparat med gassstilførselen tilkoblet, dette er en usikker praksis.
- Oppbevar apparatet og gassstilførselen i et godt ventilt område vekk fra brennbare materialer. Oppbevaring av sylindere skal fortrinnsvis være utendørs og skal IKKE være i kjeller.

## 8. Vedlikehold og Feilsøking

### Vedlikehold

- Hvis du rengjør og vedlikeholder apparatet regelmessig, vil levetiden til apparatet forlenges og muligheten for problemer reduseres.
- Dette apparatet krever ikke planlagt vedlikehold.
- Dette apparatet må kun vedlikeholdes av en autorisert person.
- Kontroller gassslangen og koblingene regelmessig for tegn på lekkasjer og hver gang gassflasken fylles på nytt eller monteres på apparatet ved hver bruk.

### Feilsøking

I tilfelle av en sprutende flamme eller blokkering av jetdyse:

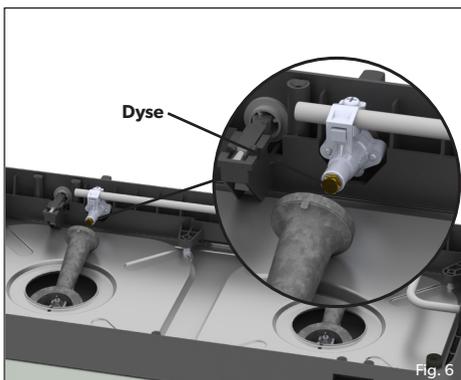
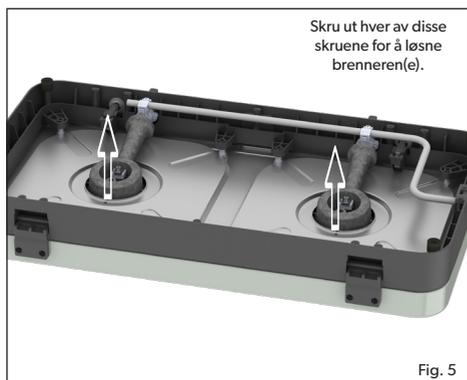
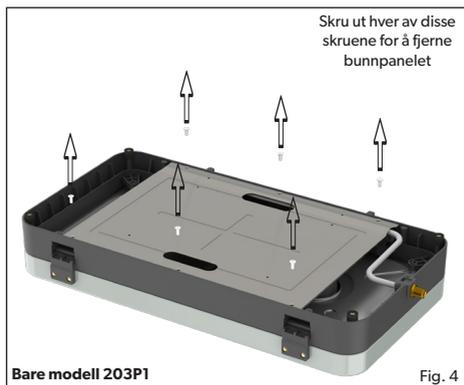
- Rengjør brennerportene i tilfelle oversøl.
- Vi anbefaler å rengjøre eller skifte ut dysene hver sjette (6) måned for å sikre fortsatt effektiv drift av apparatet.
- Skulle apparatet fungere unormalt etter oppbevaring og alle kontroller ikke har isolert problemet, kan stråledysen bli blokkert. En blokkert jetdyse vil indikeres med en svakere gulaktig flamme eller ingen flamme i det hele tatt i ekstreme tilfeller. Under disse omstendighetene vil det være nødvendig å fjerne og kontrollere og rengjøre alle fremmedlegemer som kan ha samlet seg i apparatet.
- Dette kan gjøres ved å fjerne dysen med standardverktøy og blåse smuss fra dysen, alternativt kan du kjøpe nye dyser fra din lokale butikk. Ikke prøv å rengjøre dysen mekanisk.

### Bytte av en blokkert jetdyse:

- Apparatet ditt er utstyrt med en spesifikk størrelsesstråle for å regulere riktig mengde gass.
- Hvis hullet i jetdysen er blokkert, kan dette føre til en liten flamme eller ingen flamme i det hele tatt. Ikke prøv å rengjøre jetdysen med en nå eller annen slik enhet, da dette kan skade åpningen, noe som kan gjøre enheten usikker.
- **For å skifte ut dysen:** Fjern eventuelle kokeoverflater, lukk lokket og snu apparatet opp ned. Skru forsiktig av bunnpanelet ved å fjerne skruene (fig. 4) (Bare modell 203P1). Løsne skruen på passende brenner(e) (fig. 5), skru forsiktig ut og slipp brenneren som vist for å avsløre strålen. Merk at brenneren er koblet til piezokabelen, etter at du har skiftet munnstykket og satt sammen igjen, sjekk at denne kabelen fortsatt er tilkoblet. Strålen er nå synlig på ventilen, fjern strålen med en passende skiftenøkkel (fig. 6). Ikke bruk tang på munnstykket, da dette kan skade strålemunnstykket og gjøre det ubrukelig eller umulig å fjerne. Skru den nye strålen inn i ventilen. Ikke stram for mye da dette kan skade munnstykket.
- Gjenta prosedyren ovenfor for å sette sammen enheten igjen.

### Bytte ut slangen:

- Montering av en slange er beskrevet i avsnitt 2



## 9. Reservedeler og tilbehør

- Bruk alltid originale reservedeler da de er designet for å gi optimal ytelse.

Reservedeler		Tilbehør			
Punkt	Reservedeler nr.	Punkt	Reservedeler nr.	Punkt	Reservedeler nr.
	202-SP004		202-SP011		203-100
	202-SP012		202-SP020		203-900
	203P-SP001		203P-SP002		8640
	203P-SP003		203P-SP005		203-200
	203P-SP008		203P-SP011		203-300
	203P-SP015		203P-SP018		98326
	HM6-073 (Dyse 0.73 28-30 mbar) HM6-069 (Dyse 0.69 37mbar) HM6-064 (Dyse 0.64 50mbar)		203P-SP012		
					

## 10. Garanti

CADAC Europe BV garanterer herved overfor DEN OPPRINNELIGE KJØPEREN av dette CADAC Europe BV gassapparatet, at det vil være uten defekter i materialer og håndverksmessig utførelse fra kjøpsdato som følger:

Ventiler:	2 år
Plastdeler:	Ingen garanti
Die-casting	1 år
Emaljerte deler:	2 år
Brennere:	1 år

Denne garantien vil kun ha gyldighet dersom enheten er montert og betjent i samsvar med de trykte instruksjonene.

CADAC Europe BV kan kreve rimelige bevis for kjøpsdatoen fra deg. DERFOR BØR DU BEHOLDE KJØPSKVITTERINGEN ELLER FAKTURAEN.

Denne begrensede garantien er begrenset til reparasjon eller erstatning av deler som viser seg å være defekte i vanlig bruk og service og som ved undersøkelse må vise at de, etter CADAC Europe BVs overbevisning, er defekte. Før du returnerer deler, bør du kontakte kundeservice-representanten i din region ved å benytte kontakinformasjonen som finnes i manualen. Dersom CADAC Europe BV bekrefter defekten og godkjenner kravet, vil CADAC Europe BV velge å erstatte slike deler uten kostnad. CADAC Europe BV vil returnere deler til kjøperen med forhåndsbetalt frakt og porto.

Denne begrensede garantien dekker ikke noen uheldige utfall eller betjeningsvanskeligheter som skyldes uhell, misbruk, feil bruk, endringer, feil behandling, vandalisme, uriktig montering eller feilaktig vedlikehold eller service, eller unnlater i å utføre normalt og rutinemessig vedlikehold, inkludert, men ikke begrenset til skade forårsaket av insekter innenfor brennerrørene, som beskrevet i denne produkt håndboken for eiere av produktet.

Foringelse eller skade som skyldes strenge værforhold som hagl, orkaner, jordskjelv eller tornadoer, misfarging på grunn av eksponering for kjemikalier enten direkte eller i atmosfæren, er ikke dekket av denne begrensede garantien.

Det finnes ingen andre uttrykkelige garantier unntatt de som er fremsatt her og alle anvendelige underforståtte garantier om at gjenstanden er i samsvar med dets formål og egnethet er begrenset i varighet til dekningsperioden i denne særskilte, skriftlige, begrensede garantien. Noen regioner tillater ikke begrensninger i for hvor lenge en underforstått garanti varer, så denne begrensningen gjelder kanskje ikke for deg.

CADAC Europe BV er ikke ansvarlig for noen som helst spesielle, indirekte skader eller følgeskader. Noen regioner tillater ikke unntak eller begrensninger i tilfeldige skader eller følgeskader; denne begrensningen eller unntaket gjelder kanskje ikke for deg.

CADAC Europe BV har ikke godkjent at noen personer eller firma overtar for dem noen som helst forpliktelser eller ansvar i forbindelse med salget, monteringen, bruken, demontering, retur, eller utskifting av deres utstyr; og ingen slike representasjoner er bindende for CADAC Europe BV.

Denne garantien gjelder kun for produkter som er solgt gjennom detaljisthandel.

For å nyte og sikre lang levetid for ditt produkt, ber vi deg slå opp rengjøringen og vedlikeholdsdelen av brukerhåndboken.

## Wyjaśnienie symboli



Recykling materiałów opakowaniowych. W miarę możliwości umieść materiał opakowaniowy w odpowiednich pojemnikach na odpady recyklingowe.

Należy zapewnić dostateczną wentylację. To urządzenie na gaz zużywa powietrze (tlen). Nie należy korzystać z tego urządzenia w miejscach pozbawionych wentylacji, gdyż mogłoby to stanowić zagrożenie dla życia. Jeżeli w pomieszczeniu znajduje się więcej urządzeń i/lub osób korzystających z gazu, wówczas należy zapewnić dodatkową wentylację.

### WAŻNE

Przeczytaj uważnie niniejsze instrukcje, aby zapoznać się z urządzeniem przed podłączeniem go do butli gazowej. Zachowaj te instrukcje do późniejszego wykorzystania.

## 1. Informacje dotyczące bezpieczeństwa

Niniejsze instrukcje służą zapewnieniu bezpieczeństwa oraz pomagają zapobiec urazom lub uszkodzeniom. W przypadku niestosowania się do tych instrukcji wszystkie gwarancje tracą ważność.

- Urządzenie jest zgodne z normami BS EN 484.
- Urządzenia gazowe wymagają wentylacji w celu prawidłowego funkcjonowania oraz zapewnienia bezpieczeństwa użytkowników i innych osób znajdujących się w pobliżu. Nie używaj urządzenia w niewentylowanym miejscu. Jest przeznaczony wyłącznie do użytku na zewnątrz.
- Pomieszczenie, w którym używane jest urządzenie, powinno mieć okno oraz drzwi, które można otworzyć całkowicie lub częściowo podczas pracy urządzenia. Jeżeli nie występują okna ani drzwi zapewniające wentylację pomieszczenia, wówczas dla bezpieczeństwa należy zainstalować dodatkową wentylację.
- Należy dopilnować, aby urządzenie było używane w dobrze wentylowanym miejscu
- **OSTRZEŻENIE: DOSTĘPNE CZĘŚCI MOGĄ BYĆ BARDZO GORĄCE. TRZYMAĆ MAŁE DZIECI Z DALA.**
- Przed przystąpieniem do korzystania z urządzenia należy przeczytać instrukcje.
- **Wyłącznie do użytku na zewnątrz!**

### Montaż i użytkowanie

- Nie używaj urządzenia, jeśli ma uszkodzone lub zużyte uszczelki.
- Nie należy używać urządzenia, które ma nieszczelności, jest uszkodzone lub pracuje nieprawidłowo.
- Należy ostrożnie obchodzić się z urządzeniem i nie upuszczać go.
- Zawsze używaj urządzenia na stabilnej, równej powierzchni
- Należy upewnić się, że zmontowany produkt jest stabilny i nie kołysze się.
- To urządzenie nie nadaje się do instalacji lub podłączenia do sieci gazowej
- Należy upewnić się, że urządzenie jest używane z dala od materiałów palnych. Minimalne bezpieczne odległości: nad urządzeniem - 1,2 m, z tyłu i po bokach - 0,6 m. (Rys. 1)
- W przypadku korzystania z misy zaleca się, aby jej rozmiar był nie mniejszy niż 180 mm oraz nie przekraczał 250 mm.
- Nie używaj powierzchni do gotowania ani garnków większych niż zalecany rozmiar. Nasze powierzchnie do gotowania zostały specjalnie zaprojektowane, aby umożliwić ułatwienie się spalania gazu, a zamknięcie tej przestrzeni może wpłynąć na działanie tego urządzenia.
- Nie modyfikuj tego urządzenia, każda modyfikacja może być niebezpieczna. Nie używaj go do niczego, do czego nie jest przeznaczony.
- Podczas korzystania z urządzenia nie należy go przesuwac ani przenosić.
- Nigdy nie należy pozostawiać uruchomionego urządzenia bez opieki
- Podczas pracy urządzenia jego części nagrzewają się (szczególnie palnik). Należy unikać dotykania gorących części gołymi rękoma. Zaleca się używanie rękawic.
- Upewnij się, że wszystkie powierzchnie do gotowania/podstawki pod garnki są prawidłowo ustawione podczas korzystania z urządzenia.

### Waż gumowy

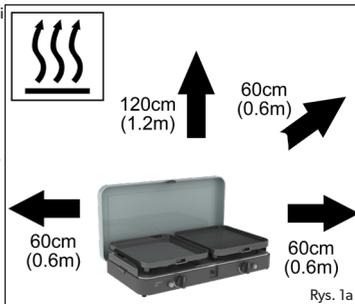
- Wąż należy sprawdzać pod kątem zużycia lub uszkodzeń przed każdym użyciem i przed podłączeniem do zbiornika gazu.
- Nie używaj urządzenia, jeśli ma uszkodzony lub zużyty wąż. Wymień wąż.
- Nie skręcać ani nie ścisnąć węża.
- Długość węża nie powinna być mniejsza niż 0,8 m i nie może przekraczać 1,2 m. Wymień, gdy wąż jest uszkodzony lub wykazuje oznaki kruchości lub pęknięć.

### Pojemnik na gaz

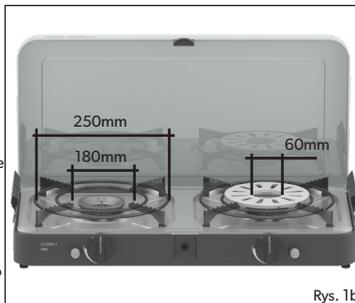
- Gaz jest dostarczany do urządzenia za pomocą węża i reduktora. Wąż i reduktor można podłączyć do butli gazowej lub Power Pak, czyli urządzenia, które pobiera dwa lub więcej nabojoz gazowych. Uwaga: Wąż, regulator i Power Pak nie są dostarczane z urządzeniem.
- **PRÓBA MONTAŻU INNYCH TYPÓW BUTLI LUB NABOJOZ GAZOWYCH (UŻYTYCH W POŁĄCZENIU Z POWER PAK) MOŻE BYĆ NIEBEZPIECZNA.**
- To urządzenie może być używane wyłącznie z zatwierdzonym wężem i regulatorem.
- Do użytku wyłącznie z butlą gazową, której wysokość nie przekracza 500 mm (bez reduktora) i 400 mm szerokości.
- Upewnij się, że pojemnik z gazem jest zamontowany lub wymieniony w dobrze wentylowanym miejscu, najlepiej na zewnątrz, z dala od wszelkich źródeł zapłonu, takich jak otwarty ogień, piloty, pożary elektryczne iz dala od innych osób.
- Trzymaj pojemniki z gazem z dala od źródeł ciepła i płomieni. Nie stawiaj na kuchence lub innej gorącej powierzchni.
- Pojemniki wielokrotnego użytku należy używać wyłącznie w pozycji pionowej, aby zapewnić prawidłowy pobór paliwa. Nieprzestrzeganie tego może spowodować wypływ cieczy ze zbiornika gazu, powodując niebezpieczne warunki pracy.
- Nie próbuj wyjmować pojemnika z gazem podczas pracy urządzenia.
- Pojemnik z gazem należy odłączyć od urządzenia po użyciu lub podczas przechowywania.

### Światło w powrotem

- W przypadku płomienia wstecznego (gdzie płomień ucieka do tyłu i zapala się przy dyszy) należy natychmiast wyłączyć dopływ gazu, w pierwszej kolejności zamykając zawór regulacyjny na butli gazowej, a następnie zawór urządzenia. Po zgaśnięciu płomienia należy zdjąć regulator i sprawdzić stan jego uszczelki. W razie wątpliwości należy wymienić uszczelkę. Należy ponownie uruchomić urządzenie.
- Jeżeli płomień wsteczny utrzymuje się, należy oddać produkt do autoryzowanego punktu naprawczego.



Rys. 1a



Rys. 1b

**Wycieki**

- W przypadku nieszczelności urządzenia (zapach gazu) należy odłączyć dopływ gazu, najpierw przy butli gazowej, a następnie na urządzeniu, przekręcając odpowiednie pokrętła do końca zgodnie z kierunkiem ruchu wskazówek zegara. Urządzenie należy natychmiast przenieść na zewnątrz w dobrze wentylowane miejsce wolne od płomienia, gdzie nieszczelność może zostać odnaleziona, a wyciek zatrzymany. Wszelkie kontrole urządzenia pod kątem nieszczelności należy wykonywać na zewnątrz. Nie należy próbować szukać nieszczelności przy użyciu płomienia, a zamiast tego należy wykorzystać w tym celu wodę z mydłem.
- Jeżeli dalej ma miejsce wyciek gazu, wówczas należy oddać produkt do sprzedawcy celem przeprowadzenia inspekcji / naprawy.

**Jak sprawdzić, czy urządzenie jest prawidłowo podłączone do sieci gazowej?**

- Ważne jest, aby wszystkie połączenia gazowe zostały prawidłowo podłączone, aby zapobiec wyciekom gazu.
- Prawidłowym sposobem jest posmarowanie wodą z mydłem złącza, tj. miejsca, w którym zbiornik gazu łączy się z urządzeniem. Obróć pokrętło urządzenia lekko w kierunku przeciwnym do ruchu wskazówek zegara, aby włączyć gaz. Jeśli tworzą się bąbelki, oznacza to wyciek gazu. Natychmiast wyłącz dopływ gazu i odłącz dopływ gazu od urządzenia. Sprawdź, czy wszystkie połączenia są prawidłowo dopasowane. Przed podłączeniem dopływu gazu sprawdź, czy uszczelka jest na swoim miejscu i w dobrym stanie. Po ponownym zamontowaniu dopływu gazu sprawdź ponownie wodą z mydłem.
- Jeśli wyciek gazu utrzymuje się, należy zwrócić produkt do lokalnego sprzedawcy w celu sprawdzenia/naprawy.

Kraj użytkownika	BE, CH, CY, CZ, ES, FR, GB, GR, IE, IT, LT, LU, LV, PT, SK & SI	PL	BE, CY, DK, EE, FR, FI, HU, IT, LT, NL, NO, SE, SI, SK, RO, HR, TR, BG, IS, LU, MT, & ZA	AT, CH, DE & SK
Kategorie urządzeń	I <sub>3+(28-30/37)</sub>	I <sub>3B/P (37)</sub>	I <sub>3B/P (30)</sub>	I <sub>3B/P (50)</sub>
Dopuszczalne gazy	Butan-G30	Propan-G31	Butan-G30, Propan-G31 lub ich mieszanina	
Ciśnienie robocze	28-30mbar	37mbar	37mbar	28-30mbar 50mbar
Nr dyszy	0.73		0.69	0.73 0.64
Zużycie nominalne	Butan - 160g/h na palnik (160g/h x 2 = 320g/h łącznie)	Butan - 160g/h na palnik (160g/h x 2 = 320g/h łącznie)	Butan - 160g/h na palnik (160g/h x 2 = 320g/h łącznie)	Butan - 160g/h na palnik (160g/h x 2 = 320g/h łącznie)
Nominalny dopływ ciepła brutto	2.2kW na palnik (2.2kW x 2 = 4.4kW łącznie)	2.2kW na palnik (2.2kW x 2 = 4.4kW łącznie)	2.2kW na palnik (2.2kW x 2 = 4.4kW łącznie)	2.2kW na palnik (2.2kW x 2 = 4.4kW łącznie)

**Nazwa kraju i skrót**

AE = Zjednoczone Emiraty Arabskie	AL = Albania	AT = Austria	BE = Belgia	CH = Szwajcaria
CZ = Republika Czeska	DE = Niemcy	DK = Dania	ES = Hiszpania	FI = Finlandia
FR = Francja	GB = Zjednoczone Królestwo	GR = Grecja	HR = Chorwacja	IT = Włochy
JP = Japonia	KR = Korea	NL = Holandia	NO = Norwegia	PL = Polska
PT = Portugalia	RO = Rumunia	RU = Rosja	RS = Serbia	SI = Słowenia
SK = Słowacja	SE = Szwecja	TR = Indyk	ZA = Afryka Południowa	

**I 3B/P (30), I 3+ (28-30/37) i I 3B/P (37), Kategorie urządzeń: (DK, FI, NO, NL, SE, AT, DE, BE, ES, FR, IE, IT, PT, GB, CH)**

Nalożyć zatwierdzony wąż na końcówkę zaworu, aż zostanie prawidłowo osadzony. Z drugiej strony podłącz odpowiedni regulator niskiego ciśnienia.

I3B/P(30): 30mbar regulator w konfiguracji z butanem lub 30mbar w konfiguracji z propanem lub 30mbar w konfiguracji z regulatorem butan/propan.

I3B/P(37) : regulator konfiguracji 37mbar butan lub regulator konfiguracji 37mbar propan lub regulator konfiguracji 37mbar butan/propan.

I3+(28-30/37) : 30mbar regulator w konfiguracji z butanem lub 37mbar w konfiguracji z propanem.

Ponownie upewnijając się, że wąż jest prawidłowo osadzony. Rodzaj użytego węża musi być zgodny z odpowiednią normą EN i lokalizować wymagania.

**I 3B/P (50) Kategoria urządzenia: (AT, DE, CH, SK)**

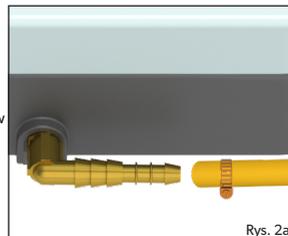
I3B/P(50): 50mbar regulator konfiguracji butan lub regulator konfiguracji 50mbar propan lub regulator konfiguracji 50mbar butan/propan.

Nakręć wąż z odpowiednimi gwintowanymi łącznikami na każdym końcu, na lewy gwint 1/4" BSP zaworu. Podłącz odpowiedni regulator niskiego ciśnienia 50mbar na końcu węża. Zastosowany wąż musi być zgodny z normą DIN 4815 część 2 lub równoważna.

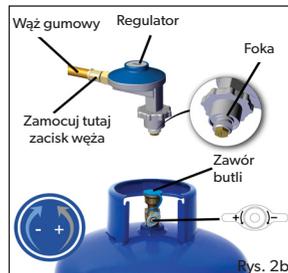
## 2. Montaż i wymiana dopływu gazu

### Podłączanie dopływu gazu

- Przed podłączeniem urządzenia do butli gazowej należy upewnić się, że gumowa uszczelka regulatora znajduje się na swoim miejscu i jest w dobrym stanie
- Przed podłączeniem węża i regulatora do urządzenia należy sprawdzić, czy pokrętko urządzenia znajduje się w pozycji „OFF”.
- Kontrolę tę należy przeprowadzić przy każdym mocowaniu urządzenia do butli gazowej.
- Należy wydmuchać ewentualny kurz z otworu butli, aby zapobiec powstaniu ewentualnego zatoru w dyszy.
- Podłącz zatwierdzony wąż i regulator do urządzenia.
- Upewnij się, że dopływ gazu (butla/ naboż z gazem) jest zainstalowany w dobrze wentylowanym miejscu, z dala od wszelkich źródeł zapłonu, takich jak otwarte płomienie, oraz z dala od innych osób.
- Wąż nie należy przekręcać ani uciskać. Należy upewnić się, że jest on oddalony od korpusu paleniska, aby nie dopuścić do zniszczenia / uszkodzenia węża z przegrzania.
- Należy upewnić się, że butla gazowa przez cały czas znajduje się w pozycji pionowej. Należy podłączyć do butli, dokręcając do końca ręcznie aż do oporu.
- Upewnij się, że uzyskano kompletne uszczelnienie gazowe (sprawdź, czy wokół połączenia nie ma zapachu gazu). Nie sprawdzaj wycieków przy otwartym ogniu. Używaj ciepłej wody z mydłem naniesionej na złącza i połączenia urządzenia. Każdy wyciek będzie wyglądał jak bąbelki wokół obszaru wycieku.
- W przypadku braku możliwości usunięcia wycieku gazu nie należy korzystać z urządzenia. Należy natomiast skontaktować się z najbliższym sprzedawcą w celu uzyskania pomocy.



Rys. 2a



Rys. 2b

### Odłączenie i zmiana dopływu gazu

- Po użyciu przekręć pokrętko urządzenia do pozycji „OFF” i zamknij dopływ gazu.
- Kiedy musisz wymienić pustą butelkę, upewnij się, że zawór butli jest zamknięty.
- Nie palij podczas wymiany butli.
- Wymij reduktor z pustej butli.
- Podłącz reduktor do pełnej butli, zapoznaj się z powyższymi instrukcjami dotyczącymi podłączania dopływu gazu.
- Postępuj tak samo jak przy montażu nowej butli z gazem.

### Jak sprawdzić, czy butla z gazem jest pusta?

- Najłatwiejszym sposobem sprawdzenia, czy poziom gazu jest niski, jest podniesienie butli z gazem.
- Jeśli zauważysz, że Twoja butla z gazem jest nieco lżejsza niż normalnie, możesz ją zważyć, aby sprawdzić, ile pozostało gazu. Większość butelek ma własną pustą wagę wybitą na szyjce lub dolnym pierścieniu, a jeśli podana waga odpowiada wadze twojej butelki, nie masz gazu. Na podstawie różnicy wag można oszacować, ile gazu pozostało.

## 3. Obsługa urządzenia

- Podczas obsługi tego urządzenia upewnij się, że wszystkie części są w dobrym stanie i że przed każdym użyciem i zapłonem sprawdzisz, czy nie ma wycieków gazu.
- Powierzchnie do gotowania można po prostu umieścić i są gotowe do użycia. Nie wymaga montażu.
- UWAGA: Przed przystąpieniem do użytkowania prosimy upewnić się, że całe opakowanie ochronne i elementy z plastiku są usunięte z urządzenia.
- Urządzenie zostało zaprojektowane do stosowania z naczyńmi do gotowania o średnicy nie mniejszej od 180 mm i nieprzekraczającej 250 mm.

### Środki ostrożności, których należy przestrzegać przed użyciem.

- Używaj tego urządzenia tylko na twardej równej powierzchni.
- Po dłuższym przechowywaniu należy sprawdzić urządzenie pod kątem owadów i pajęczyn, które mogą utrudniać przepływ gazu.

### Używanie wyłącznika piezoelektrycznego do zapalenia urządzenia

- Zaleca się usunięcie wszelkich powierzchni do gotowania podczas próby zapalenia urządzenia, aby lepiej widzieć, kiedy palnik jest włączony
- Aby rozpałcić urządzenie za pomocą zapalarki piezoelektrycznej, należy nacisnąć i obrócić pokrętko sterujące o 90° w kierunku przeciwnym do ruchu wskazówek zegara, a następnie nacisnąć przycisk piezoelektryczny, aby zapalić gaz (patrz rys. 3). Jeśli gaz nie zapala się przy pierwszej iskrze, przekręć pokrętko z powrotem do pozycji „OFF”. Spróbuj ponownie, naciskając i obracając pokrętko w kierunku przeciwnym do ruchu wskazówek zegara i naciskając przycisk piezoelektryczny, aby zapalić gaz. Jeśli gaz nie zapala się w ciągu pierwszych dwóch do trzech sekund, zamknij zawór kontrolny, przekręcając pokrętko z powrotem do pozycji „OFF”.
- Odczekaj około 30 sekund, aż gaz, który mógł nagromadzić się w palniku, wyparuje. W razie potrzeby powtórz powyższy proces, aż płomień się zapali. Płomień powinien zapalić się normalnie w ciągu pierwszych dwóch sekund.

### Rozpalanie zapalniczką do grilla

- W przypadku zimnego startu urządzenie można zapalić od góry przed zamontowaniem żądanej powierzchni do gotowania. Podczas zapalania gorącego urządzenia zaleca się, aby to zrobić, wkładając zapalniczkę przez jeden z otworów wentylacyjnych pod palnikiem, aż zrówna się z palnikiem (NIE wkładaj zapalniczki przez duży otwór bezpośrednio pod palnikiem.) Zapal zapalniczkę grilla. Przy zapalonej zapalnicze do grilla wcisnij i obróć pokrętko w kierunku przeciwnym do ruchu wskazówek zegara, aby zapalić palnik.



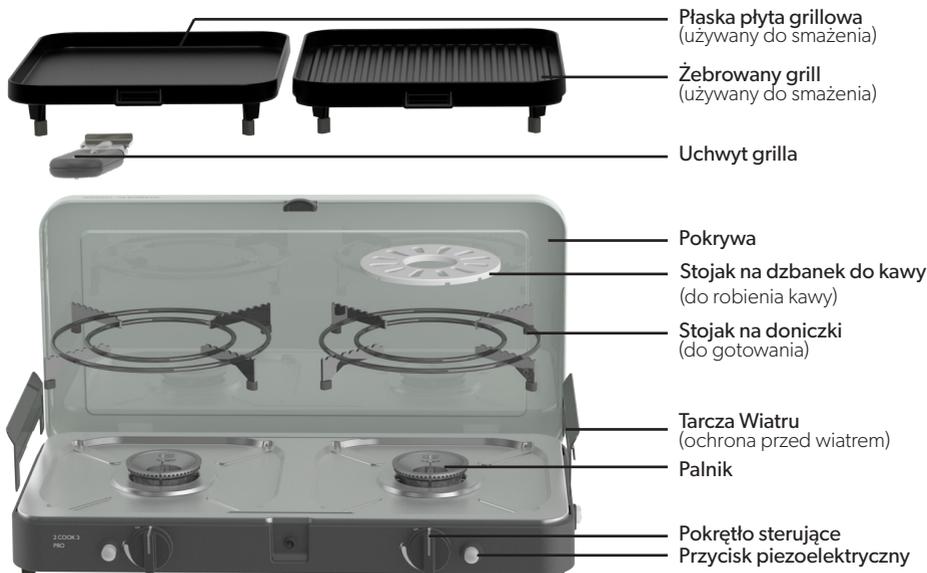
Rys. 3

**Ogólny**

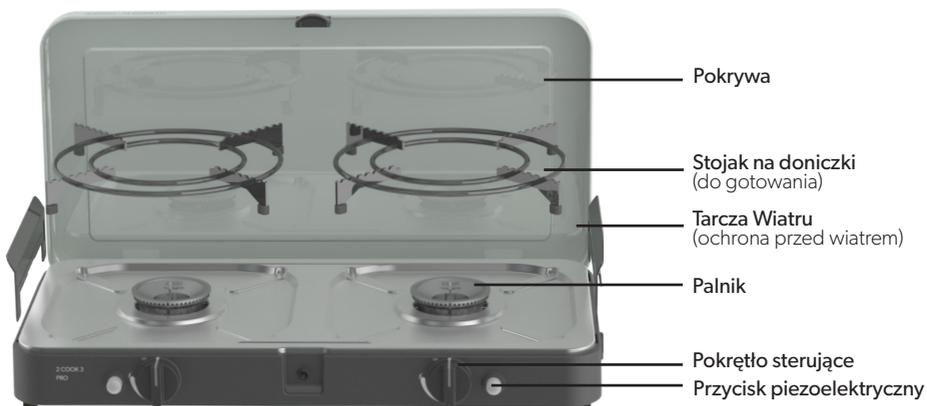
- Gdy urządzenie jest włączone, można regulować intensywność płomienia, obracając pokrętło w kierunku przeciwnym do ruchu wskazówek zegara, aby zmniejszyć płomień lub zgodnie z ruchem wskazówek zegara, aby zwiększyć płomień.
- Podczas gotowania potraw o dużej zawartości tłuszczu może to spowodować rozblyski, jeśli wybrany poziom grzania jest zbyt wysoki. Jeśli tak się stanie, zmniejsz płomień, aż rozblyski ustaną.
- Nie przenoś urządzenia podczas pracy. Przenoszenie sprzętu w trakcie jego użytkowania nie jest bezpieczne i może powodować flary.
- Po użyciu najpierw zamknij zawór na butli z gazem (jeśli dotyczy). Gdy płomień zgaśnie, zamknij zawór sterujący na urządzeniu.

**4. Lista komponentów**

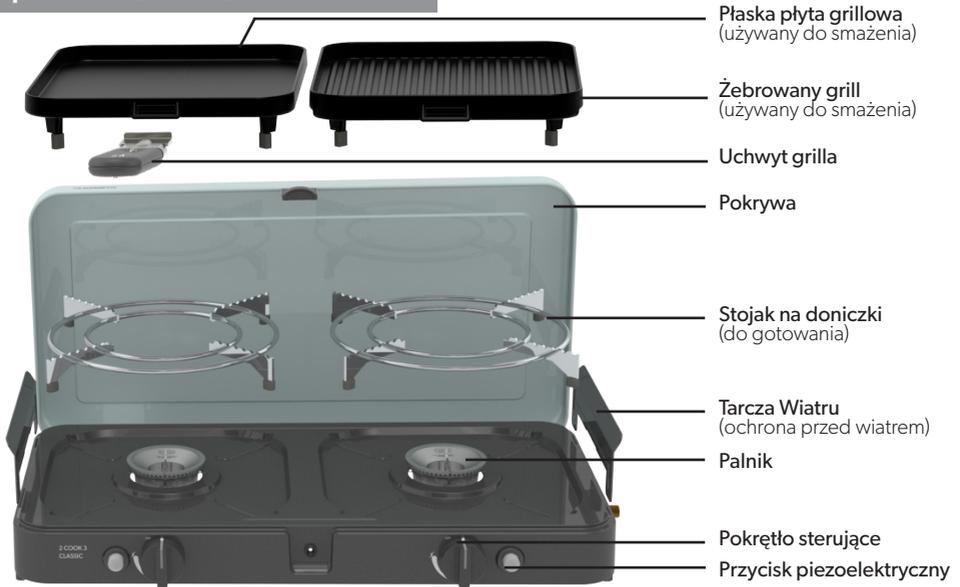
Kod produktu: 203P1-20



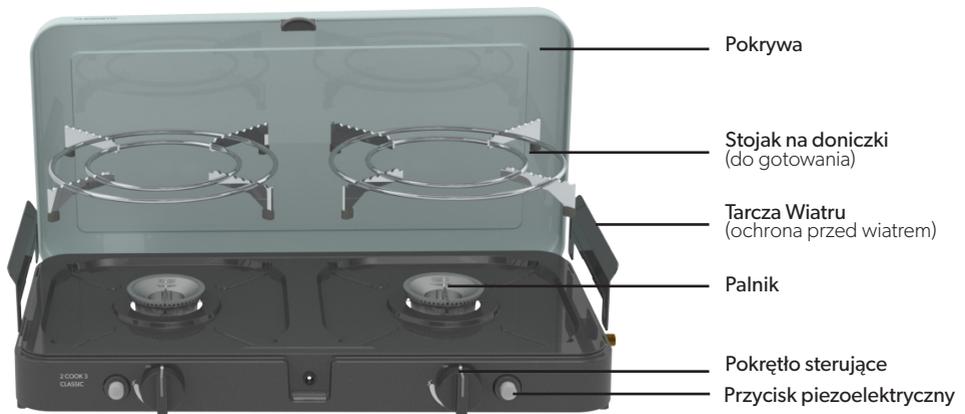
Kod produktu: 203P1-10



## Kod produktu: 203M1-20



## Kod produktu: 203M1-10



Następujące powierzchnie nie są wliczone w cenę i są sprzedawane osobno. Sprawdź dostępność u lokalnego dystrybutora.



Soft Soak 2 Cook

Paella Pan 30  
(używany do Paelli/  
Smażenia)Coffee Pot Stand  
(Standard z  
Model 203P1-20)Żebrowany grill  
(z uchwytem do  
grilla)Płaska płyta  
grillowa  
(z uchwytem do  
grilla)

## 5. Opcje gotowania GreenGrill

### Gotowanie GreenGrill

Większość powierzchni do gotowania ma naszą powłokę GreenGrill. Ta powłoka ceramiczna jest całkowicie wolna od PFOA; nie zawiera substancji toksycznych i gwarantuje zdrowe gotowanie!

#### PRZYGOTOWANIE I UŻYTKOWANIE

- Aby „przyprawić” grill: przed pierwszym użyciem powierzchni do gotowania można ją przyprawić, aby uzyskać cienką warstwę ochronną, która zapobiega przywieraniu potraw. Nie jest to wymagane, ale zalecamy. To bardzo proste: lekko wetrzyj olej spożywczy na powierzchnię, a następnie umieść na średnim ogniu na 2 - 3 minuty. Po ostygnięciu przed użyciem umyj powierzchnię do gotowania wodą z mydłem i lekko posmaruj ją niewielką ilością oleju (wybranego przez Ciebie oleju spożywczego, np. oleju słonecznikowego). Jest gotowy do pracy!
- Uwaga: Powłoka GreenGrill przewodzi ciepło lepiej niż produkty ze zwykłą powłoką zapobiegającą przywieraniu (PTFE). Dlatego zalecamy używanie tylko 75% mocy, do której jesteś przyzwyczajony.
- Nigdy nie pozostawiaj powierzchni do gotowania na źródle ciepła bez oleju. Natóż cienką warstwę oleju za pomocą ręcznika kuchennego lub pedzla przed umieszczeniem powierzchni do gotowania na źródle ciepła. Upewnij się, że nasmarowałaś wszystkie części, więc m.in. kratka do grillowania obejmuje również podniesione krawędzie.
- Zalecamy smażenie w oleju słonecznikowym lub rzepakowym ze względu na wysoką temperaturę palenia. Oliwa z oliwek może mieć stosunkowo niską temperaturę palenia, co może powodować przyklejanie się składników do patelni lub przypalanie. Dlatego nie zalecamy używania oliwy z oliwek. Wskazówka: przed smażeniem doprowadź mięso lub rybę do temperatury pokojowej. Zapobiegnie to przywieraniu do powierzchni do gotowania.
- Zawsze używaj silikonowych i/lub drewnianych przyborów, aby nie uszkodzić powłoki GreenGrill. Nigdy nie używaj metalowych przyborów, ponieważ może to uszkodzić powłokę.

#### RENGÖRING

- Låt kokyten svalna innan rengöring. Extrema temperaturförändringar kan deformera tillagningsytan.
- GreenGrill-beläggningen är ”Easy Clean”. Varmt tvålatten och en mjuk svamp räcker för att rengöra GreenGrill-tallrikar. Undvik skursvampar eller stålull.
- Om matrester finns kvar på tillagningsytan från tidigare användning kan de fastna på beläggningen och orsaka bruna fläckar. I dessa områden kan ingredienserna fastna på matlagningsytan eftersom beläggningen inte längre är tillgänglig. Se till att dessa fläckar har tagits bort ordentligt före användning.
- För envisa fläckar eller rester i paellapannan eller pannan, försök att blötlägga den över natten i varmt tvålatten eller använd ”vinägermetoden”: håll ett lager vinäger i pannan och varm pannan något. Vinägern behövs inte koka, och den ska absolut inte avdunsta helt. Håll vinägern från pannan, tvätta pannan med tvålatten och pannan blir som ny igen. Obs: Uppvärmningsvinägern kan ha en obehaglig lukt.
- CADAC | DOMETIC Soft Soak (säljs separat) är den ideala komplementprodukten för att underlätta blötläggning över natten. När du använder Soft Soak rekommenderar vi att du placerar matlagningsytan med framsidan nedåt vilket möjliggör maximal blötläggning och dessutom använder mindre vatten.
- Observera att om du använder Soft Soak 2 Cook kan du blötlägga båda grillerna samtidigt. För att göra det placerar du den ena matlagningsssidan uppåt och den andra vänd nedåt som du ser på bilderna.
- Eventuella envisa fläckar som finns kvar efter blötläggning kan lossas och borstas bort med CADAC | DOMETIC Soft Soak Brush (säljs separat)
- Torka av med en mjuk trasa så är det klart!

#### UNDERHÅLL

- Vi rekommenderar att du tillsätter lite olja på kokyten efter rengöring och sprider den med hushållspapper. Oljan tätar ytan från utomhusluf och fukt. Det ser också till att maten inte bränner fast i ytan.
- Placera matlagningsytan i en plastpåse innan du lägger den i förvaringspåsen så att du är säker på att förvaringspåsen förblir ren och oljefri.
- Förvaringspåsen förhindrar skador på GreenGrill-beläggningen och din produkt



Blötläggning med Soft Soak 2 Cook (Grillar ingår ej)



Soft Soak Brush

### Opcje gotowania

- To są dostępne opcje gotowania. (Używaj szyb przednich w przypadku wietrznej pogody)

**Grillowanie:** Ta opcja gotowania jest idealna do beztłuszczowego grillowania kurczaka, kielbasek, kotletów, kebabów, ryb lub warzyw. Do tego typu gotowania użyj „płyty grillowej”. / 'grill plate'

**Uwaga:** Należy pamiętać, że podczas gotowania tłustych mięs, na urządzenie rozpryskuje się tłuszcz, co może spowodować rozbyski. Należy zachować ostrożność podczas obchodzenia się z takimi mięsami. Temperatury gotowania można łatwo dostosować do własnych wymagań, obracając pokrętło sterujące, aby regulować stopień ciepła.

**Smażenie:** Ta opcja jest idealna do smażenia frytek, ryb, śniadania, naleśników, krewetek, paelli i warzyw. Do tego typu gotowania używaj płaskiego grilla. Pamiętaj, że jako płytka patelnia nadaje się tylko do płytkiego smażenia. Łatwa w czyszczeniu powierzchnia oznacza, że do zdrowego gotowania potrzeba niewiele lub wcale oleju

**Gotowanie:** W przypadku tego rodzaju gotowania umieść podstawkę na garnek w rowkach ustalających, upewnijając się, że jest prawidłowo osadzona. Umieść odpowiednią doniczkę (o średnicy nie mniejszej niż 180 mm i nie większej niż 250 mm). Jeden litr wody zagotuje się w około 6 minut w zależności od warunków, wielkości używanego garnka itp.

**Uwaga:** W przypadku małych garnków nie należy używać garnków z plastikowymi uchwytami, ponieważ mogą one być bardzo gorące.

**Paella:** Ta opcja gotowania jest idealna do przygotowywania paelli, risotto, dań z makaronu, tradycyjnych śniadań itp. Paella Pan 30 jest wykonana z wysokiej jakości prasowanego aluminium, które zapewnia doskonałe rozprowadzanie i utrzymanie ciepła.

**Kawa:** Ta opcja jest idealna do przygotowania filiżanki gorącej kawy. Idealny na każdą porę, w każde miejsce.

## 6. Czyszczenie

- Zaleca się czyszczenie urządzenia po każdym użyciu. Przedłuży to żywotność urządzenia.
- Przed czyszczeniem pozwól urządzeniu ostygnąć.
- Do czyszczenia powierzchni zewnętrznych używaj wilgotnej ściereczki wykręconej w roztworze wody z mydłem.
- Aby wyczyścić korpus paleniska wystarczy przetrzeć wilgotną szmatką, nasączając ją w razie konieczności niewielką ilością detergentu.
- NIE NALEŻY ZANURZAĆ W WODZIE, ponieważ w ten sposób woda przedostanie się do rury palnika, powodując niesprawność urządzenia.
- Płyta grillowa ma twardą, trwałą powłokę ceramiczną zapobiegającą przywieraniu, która jest z powodzeniem stosowana w jednych z najlepszych naczyń kuchennych na świecie. Mimo to dbanie o to może pomóc Ci cieszyć się dodatkowymi latami zdrowego, łatwego gotowania bez przywierania.
- Chociaż ceramiczna powłoka zapobiegająca przywieraniu jest bardzo trwała, można ją łatwo uszkodzić przy użyciu metalowych przyborów. Dlatego zaleca się, aby do gotowania używać wyłącznie plastikowych lub drewnianych przyborów.
- Zawsze pozwól grillowi/płaskiej płycie ostygnąć przed zanurzeniem go w wodzie.
- Upewnij się, że do palników nie dostała się woda. Przed użyciem wytrzyj urządzenie do sucha.
- Nie używaj ściernych środków czyszczących, ponieważ mogą one uszkodzić powierzchnie.
- Wyczyść urządzenie po każdym użyciu. Po oczyszczeniu kondycjonować powierzchnie do gotowania, przecierając je lekko olejem i szmatką.
- Do czyszczenia urządzenia nie używaj urządzeń parowych pod wysokim ciśnieniem ani strumienia wody.
- Uwaga: W przypadku uporczywych plam można użyć środka do czyszczenia piekarników CADAC.

## 7. Magazynowanie

- Zawsze pozwól urządzeniu ostygnąć i wyczyść je przed przechowywaniem.
- Wyłączyć dopływ gazu do urządzenia, odłączyć i odłączyć dopływ gazu od urządzenia.
- Nigdy nie przechowuj urządzenia z podłączonym dopływem gazu, jest to niebezpieczna praktyka.
- Przechowuj urządzenie i dopływ gazu w dobrze wentylowanym miejscu, z dala od materiałów palnych. Przechowywanie butli powinno być na zewnątrz i NIE może znajdować się w piwnicy.

## 8. Konserwacja i rozwiązywanie problemów

### Utrzymanie

- Regularne czyszczenie i konserwacja urządzenia przedłuży żywotność urządzenia i zmniejszy prawdopodobieństwo wystąpienia problemów.
- To urządzenie nie wymaga regularnej konserwacji.
- To urządzenie może być serwisowane wyłącznie przez upoważnioną osobę.
- Regularnie sprawdzaj przewód gazowy i połączenia pod kątem oznak wycieków oraz za każdym razem, gdy butla gazowa jest ponownie napełniana lub mocowana do urządzenia przy każdym użyciu.

### Rozwiązywanie problemów

W przypadku rozpryskującego się płomienia lub zablokowanej dyszy:

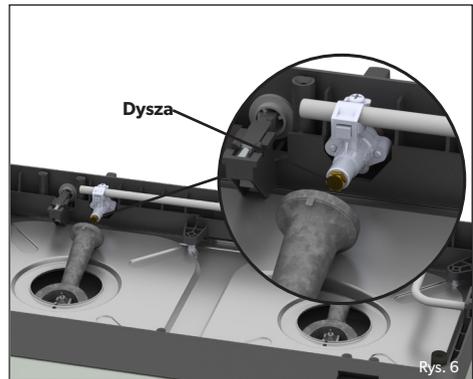
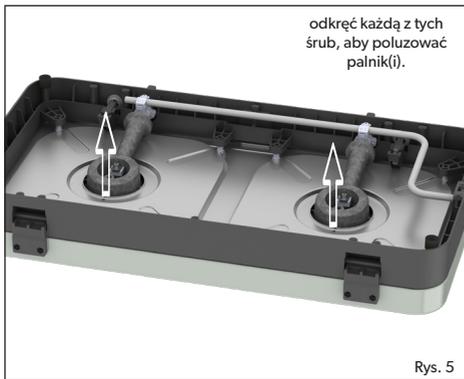
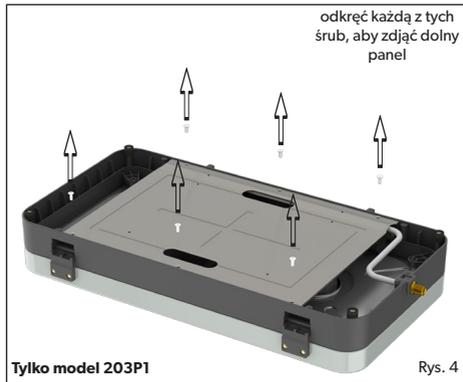
- Wyczyść porty palnika w przypadku nadmiernego rozlania.
- Zalecamy czyszczenie lub wymianę dysz co sześć (6) miesięcy, aby zapewnić ciągłą i wydajną pracę urządzenia.
- Jeśli urządzenie po przechowywaniu działa nieprawidłowo, a wszystkie kontrole nie wykryły problemu, może to oznaczać zablokowanie strumienia. Zablokowany strumień wskazywałby słabszy żółtawy płomień lub w ekstremalnych przypadkach brak płomienia. W takich okolicznościach konieczne będzie usunięcie, sprawdzenie i dokładne wyczyszczenie wszelkich ciał obcych, które mogły zebrać się w urządzeniu.
- Można to zrobić usuwając dyszę standardowymi narzędziami i wydmuchując z niej brud, alternatywnie można kupić nowe dysze w lokalnym sklepie. Nie próbuj czyścić dyszy mechanicznie.

### Wymiana zablokowanej dyszy strumieniowej

- Twoje urządzenie jest wyposażone w dyszę o określonej wielkości, aby regulować odpowiednią ilość gazu.
- Jeśli otwór w dyszy jest zatkany, może spowodować mały płomień lub brak płomienia. Nie próbuj czyścić dyszy szpilką lub innym podobnym urządzeniem, ponieważ może to uszkodzić otwór, co może spowodować, że urządzenie będzie niebezpieczne.
- **Aby wymienić dyszę:** Usuń wszelkie powierzchnie do gotowania, zamknij pokrywę i odwróć urządzenie do góry nogami. Delikatnie odkręć dolny panel wykręcając śruby (rys. 4). (Tylko model 203P1). Odkręć śrubę odpowiedniego palnika (-ów) (rys. 5), ostrożnie poluzować i opuścić palnik jak pokazano na rysunku, aby odsłonić strumień. Zwróć uwagę, że palnik jest podłączony do przewodu piezoelektrycznego, po wymianie dyszy i ponownym złożeniu należy sprawdzić, czy przewód jest nadal podłączony. Strumień jest teraz widoczny na zaworze, usuń strumień odpowiednim kluczem (rys. 6). Nie używaj szczyptic do wyjmowania strumienia, ponieważ może to uszkodzić strumień, czyniąc go bezużytecznym lub niemożliwym do usunięcia. Nakręć nową dyszę na zawór. Nie dokręcaj zbyt mocno, ponieważ może to spowodować uszkodzenie strumienia.
- Odwróć powyższą procedurę, aby ponownie złożyć jednostkę.

### Wymiana węży

- Mocowanie węży opisano w Rozdziale 2



## 9. Części zamienne i akcesoria

- Zawsze używaj oryginalnych części zamiennych, ponieważ zostały one zaprojektowane tak, aby zapewnić optymalną wydajność.

Części zamienne		Akcesoria			
Przedmiot	Nr części zamien- nych	Przedmiot	Nr części zamien- nych	Przedmiot	Nr części zamien- nych
	202-SP004		202-SP011		203-100
	202-SP012		202-SP020		203-900
	203P-SP001		203P-SP002		8640
	203P-SP003		203P-SP005		203-200
	203P-SP008		203P-SP011		203-300
	203P-SP015		203P-SP018		98326
	HM6-073 (Dysza 0.73 28-30 mbar) HM6-069 (Dysza 0.69 37mbar) HM6-064 (Dysza 0.64 50mbar)		203P-SP012		
	203P-SP023				

## 10. Gwarancja

CADAC Europe BV niniejszym oświadcza wobec PIERWOTNEGO NABYWCY niniejszego urzędowania CADAC Europe BV na gaz, że urządzenie jest wolne od wad materiałowych i wykonawczych w następujących okresach od dnia zakupu:

Zawory:	2 lat
Części plastikowe:	Brak gwarancji
Odflewanie ciśnieniowe	1 rok
Części z porcelany:	2 lat
Palniki:	1 rok

Gwarancja będzie obowiązywać tylko w przypadku montażu i obsługi urządzenia zgodnie z drukowaną instrukcją obsługi.

CADAC Europe BV może wymagać dokumentu potwierdzającego datę zakupu. Z TEGO POWODU NALEŻY ZACHOWAĆ PARAGON LUB FAKTURĘ.

Niniejsza ograniczona gwarancja jest ograniczona do naprawy lub wymiany części, w odniesieniu do których zostanie wykazana wadliwość powstała w warunkach normalnej eksploatacji i konserwacji oraz potwierdzona w toku ekspertyzy wykonanej przez CADAC Europe BV. Przed dokonaniem zwrotu jakichkolwiek części należy skontaktować się z przedstawicielem ds. obsługi klienta w swoim regionie, korzystając z danych kontaktowych podanych w instrukcji obsługi lub dzwoniąc. Jeżeli CADAC Europe BV potwierdzi usterkę i uzna roszczenie, wówczas wymiana wadliwych części zostanie przeprowadzona nieodpłatnie. CADAC Europe BV zwróci części nabywcy, opłacając z góry koszty przesyłki.

Niniejsza ograniczona gwarancja nie obejmuje usterek ani trudności w obsłudze wynikających z wypadku, nadmiernego zużycia, niewłaściwego użycia, wprowadzenia zmiany, błędnego zastosowania, aktów wandalizmu, niewłaściwego montażu lub nieprawidłowej konserwacji bądź serwisowania, a także niewykonania normalnych i rutynowych prac konserwacyjnych, w szczególności uszkodzenia w rurach palników spowodowanego przez owady zgodnie z informacjami podanymi w niniejszej instrukcji użytkownika.

Niniejsza ograniczona gwarancja nie obejmuje zniszczeń ani uszkodzeń spowodowanych ciężkimi warunkami pogodowymi, np. gradem, huraganem, trzęsieniem ziemi lub tornadem, przebarwień spowodowanych bezpośrednim działaniem substancji chemicznych ani działaniem substancji chemicznych znajdujących się w atmosferze.

Nie obowiązują żadne inne wyraźne gwarancje z wyjątkiem wymienionych w niniejszym dokumencie, a wszelkie mające zastosowanie dorozumiane gwarancje odnoszące się do przydatności handlowej i użytkowej obowiązują wyłącznie przez okres objęty niniejszą wyraźną pisemną ograniczoną gwarancją. W niektórych regionach nie jest dopuszczalne ograniczenie czasowe odnoszące się do okresu obowiązywania gwarancji dorozumianej, w związku z czym rzezczone ograniczenia czasowe mogą Państwa nie dotyczyć.

CADAC Europe BV nie ponosi odpowiedzialności z tytułu jakichkolwiek szkód szczególnych, pośrednich lub wynikowych. W niektórych regionach nie jest dopuszczalne wyłączenie lub ograniczenie odpowiedzialności z tytułu szkód przypadkowych lub wynikowych, w związku z czym rzezczone ograniczenia lub wyłączenia mogą Państwa nie dotyczyć.

CADAC Europe BV nie udziela żadnej osobie ani firmie upoważnienia do przyjmowania na siebie za CADAC Europe BV jakichkolwiek zobowiązań lub odpowiedzialności w odniesieniu do sprzedaży, montażu, użytkowania, usuwania, dokonywania zwrotu ani wymiany elementów wyposażenia CADAC Europe BV. Żadne z takich oświadczeń nie jest wiążące dla CADAC Europe BV.

Niniejsza gwarancja dotyczy wyłącznie produktów znajdujących się w sprzedaży detalicznej.

Aby móc cieszyć się trwałością produktu, należy stosować się do zapisów punktu dotyczącego czyszczenia i konserwacji w instrukcji użytkownika.

## Förklaring av symboler



Återvinning av förpackningsmaterial. Placera förpackningsmaterialet i lämpliga återvinningskärl där det är möjligt.

Se till att det finns riklig ventilation. Denna gasapparat förbrukar luft (syrgas). Använd inte denna apparat i ett oventilerat utrymme för att inte sätta ditt eget liv i fara. Om ytterligare gasapparater används, och/eller andra personer som använder gas tillkommer i lokalen, måste ytterligare ventilation ordnas.

### VIKTIGT

Läs denna bruksanvisning noggrant för att bekanta dig med apparaten innan du ansluter den till en gascylinder.

Spara bruksanvisningen för att kunna konsultera den senare.

## 1. Säkerhetsinformation

Dessa anvisningar är till för din säkerhet och för att hjälpa dig undvika risk för personskador

och/eller materiella skador. Alla garantier förfaller om du inte följer dessa anvisningar.

- Apparaten fyller kraven i BS EN 484.
- Gasapparater kräver ventilation för effektiv prestanda och för att säkerställa säkerheten för användare och andra personer i närheten. Använd inte apparaten i ett oventilerat utrymme. Den är endast avsedd för utomhusbruk.
- Rummet där denna apparat används måste ha ett fönster eller en dörr som kan hållas helt eller delvis öppen under användandet. Om det inte finns ett fönster eller en dörr som kan användas för ventilation, måste extra ventilation installeras för din egen säkerhet.
- Se till att apparaten används i ett välventilerat utrymme.
- **VARNING: EXPONERADE DELAR KAN VARA MYCKET VARMA. HÅLL UNGA BARN BORTA.**
- Läs bruksanvisningen innan du använder apparaten.
- Använd endast utomhus!

### Montering och användning

- Använd inte enheten om den har skadade eller slitna tätningar
- Använd inte en apparat som läcker, är skadad eller inte fungerar ordentligt.
- Hantera apparaten försiktigt; tappa den inte.
- Använd alltid apparaten på en stabil, jämn yta
- Se till att den sammansatta produkten är stabil och inte gungar.
- Denna apparat är inte lämplig för installation eller anslutning till ett nätverksgasförsörjning
- Se till att apparaten används på säkert avstånd från antändliga material. Minimum säkerhetsavstånd: ovanför apparaten - 1,2m, bakåt och åt sidorna - 0,6m. (Fig 1a)
- Vid användning av kastrull är den minsta rekommenderade storleken 180mm i diameter och den största storleken 250mm.
- Använd inte någon kokyta eller gryta som är större än den rekommenderade storleken. Våra matlagningsytor har utformats speciellt för att tillåta gasförbränning att strömma ut och stängning av detta utrymme kan påverka denna apparats prestanda.
- Modifiera inte denna apparat, alla modifieringar kan vara farliga. Använd den inte till något som den inte är designad för.
- Flytta inte apparaten medan den är i användning.
- Lämna aldrig apparaten utan uppsikt medan den är tänd.
- Under användandet blir delar av apparaten heta (speciellt brännaren). Undvik att vidröra heta delar med bara händerna. Användning av skyddshandskar rekommenderas.
- Se till att alla kokytor/grytställ är korrekt placerade när du använder apparaten.

### Slang

- Slangen och tätningen på reglerventilen måste kollas på slitage eller skador före varje användningstillfälle och innan du ansluter gasbehållaren.
- Använd inte apparaten om slangen är skadad eller slitet. Byt ut slangen.
- Vrid inte slangen, och se till att den inte blir hopklämd.
- Slangens längd måste vara minst 0,8m och högst 1,2m. Byt ut slangen om den är skadad eller visar tecken på skörhet eller sprickbildning.

### Gasbehållare

- Gas tillförs enheten via en slang och regulator. Slangen och regulatorn kan kopplas till en gasflaska eller en Power Pak, som är en enhet som tar två eller flera gaspatroner. Obs: Slang, regulator och Power Pak medföljer inte apparaten.
- **FÖRÖK ATT MONTERA ANDRA TYPER AV GASCYLINDRELLER GASPATRONER (ANVÄNDS I SAMBAND MED POWER PAK) KAN VARA FARLIGT.**
- Denna apparat får endast användas med en godkänd slang och regulator.
- Får endast användas med en gasflaska som inte överstiger 500 mm i höjd (exklusive regulatorn) och 400 mm i bredd.
- Se till att gasbehållaren monteras eller byts ut på en väl ventilerad plats, helst utomhus, borta från antändningskällor såsom öppen låga, piloter, elektriska eldar och borta från andra människor.
- Håll gasbehållare borta från värme och lågor. Placera inte på en spis eller någon annan het yta.
- Påfyllningsbara behållare får endast användas i upprätt läge för att säkerställa korrekt bränsleuttag. Underlåtenhet att följa detta kan orsaka vätskeutsläpp från gasbehållaren vilket resulterar i farliga driftsförhållanden.
- Försök inte att ta bort gasbehållaren medan apparaten är i drift.
- Gasbehållaren måste kopplas bort från apparaten efter användning eller vid förvaring.

### Lätt baksida

- I händelse av baktändning (när lågan slår tillbaka och tänds vid munstycket), vrid omedelbart av gastillförseln genom att först stänga reglerventilen på gasbehållaren och därefter apparatventilen. När lågan har slocknat, ta av reglerventilen och kolla dess tätningring. Sätt dit en ny tätningring om du är tveksam. Tänd apparaten igen.
- Lämna in apparaten till en auktoriserad reparatör om lågan fortsätter att baktända.

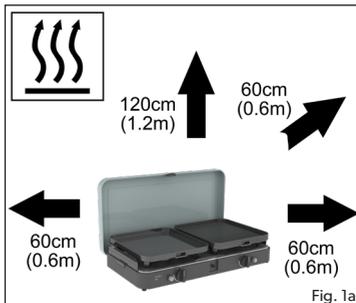


Fig. 1a

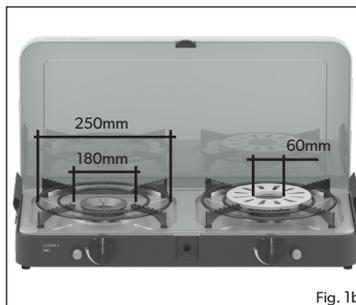


Fig. 1b

**Läckor**

- Om det finns en gasläcka på din apparat (gaslukt), stäng omedelbart av gastillförseln genom att vrida kontrollvredet medurs till "OFF"-läget och ta den till en eldfri plats där gasläckan kan upptäckas och stannade. Om du vill kontrollera om det finns gasläckor på din apparat, gör det utomhus. Försök inte att upptäcka gasläckor med en låga; använd tvålvatten.
- Om du inte kan åtgärda gasläckan, använd inte apparaten. Kontakta din lokala leverantör för hjälp.

**Hur man kontrollerar att apparaten är ansluten till gasförsörjningen på ett bra sätt**

- Det är viktigt att alla gasanslutningar är korrekt anslutna för att förhindra eventuella gasläckor.
- Det korrekta sättet är att smörja in fogen, det vill säga där gasbehållaren ansluter till apparaten, med tvålvatten. Vrid apparatens kontrollratt något moturs för att slå på gasen. Om det bildas bubblor finns det en gasläcka. Stäng omedelbart av gasen och koppla bort gastillförseln från apparaten. Kontrollera att alla anslutningar är korrekt monterade. Kontrollera att tätningen är på plats och i gott skick innan du ansluter gastillförseln. Kontrollera igen med tvålvatten efter återmontering av gasförsörjningen.
- Om en gasläcka kvarstår, returnera produkten till din lokala återförsäljare för inspektion/repairation.

<b>Användningsland</b>	BE, CH, CY, CZ, ES, FR, GB, GR, IE, IT, LT, LU, LV, PT, SK & SI		PL	BE, CY, DK, EE, FR, FI, HU, IT, LT, NL, NO, SE, SI, SK, RO, HR, TR, BG, IS, LU, MT, & ZA		AT, CH, DE & SK
<b>Apparatkategorier</b>	I <sub>3</sub> +(28-30/37)		I <sub>3B</sub> /P (37)	I <sub>3B</sub> /P (30)	I <sub>3B</sub> /P (50)	
<b>Tillåtna gaser</b>	Butan-G30	Propan-G31	Butan-G30, Propan-G31 eller deras blandning			
<b>Gastryck</b>	28-30mbar	37mbar	37mbar	28-30mbar	50mbar	
<b>Jet nummer</b>	0.73		0.69	0.73	0.64	
<b>Nominell användning</b>	Butan - 160g/h per brännare (160 g/h x 2 = 320 g/h totalt)		Butan - 160g/h per brännare (160 g/h x 2 = 320 g/h totalt)	Butan - 160g/h per brännare (160 g/h x 2 = 320 g/h totalt)	Butan - 160g/h per brännare (160 g/h x 2 = 320 g/h totalt)	
<b>Brutto nom. värmeförsel</b>	2,2kW per brännare (2,2kW x 2 = 4,4kW totalt)		2,2kW per brännare (2,2kW x 2 = 4,4kW totalt)	2,2kW per brännare (2,2kW x 2 = 4,4kW totalt)	2,2kW per brännare (2,2kW x 2 = 4,4kW totalt)	

**Landsnamn och Förkortningar**

AE = Förenade arabemiraten	AL = Albanien	AT = Österrike	BE = Belgien	CH = Schweiz
CZ = Tjeckien	DE = Tyskland	DK = Danmark	ES = Spanien	FI = Finland
FR = Frankrike	GB = Storbritannien	GR = Grekland	HR = Kroatien	IT = Italien
JP = Japan	KR = Korea	NL = Nederländerna	NO = Norge	PL = Polen
PT = Portugal	RO = Rumänien	RU = Ryssland	RS = Serbien	SI = Slovenien
SK = Slovakien	SE = Sverige	TR = Kalkon	ZA = Sydafrika	

**I 3B/P (30), I3+ (28-30/37) och I 3B/P (37), Apparatkategorier: (DK, FI, NO, NL, SE, AT, DE, BE, ES, FR, IE, IT, PT, GB, CH)**

Skjut en godkänd slang på ventilslutstycket tills det sitter ordentligt. I andra änden, fäst en lämplig lågtrycksregulator.

I3B/P(30): 30mbar butankonfigurationsregulator eller 30mbar propankonfigurationsregulator eller 30mbar butan/propanblandningskonfigurationsregulator.

I3B/P(37): 37mbar butankonfigurationsregulator eller 37mbar propankonfigurationsregulator eller 37mbar butan/propanblandningskonfigurationsregulator.

I3+(28-30/37): 30mbar butankonfigurationsregulator eller 37mbar propankonfigurationsregulator.

Återigen se till att slangens sitter ordentligt. Den typ av slang som används ska överensstämma med relevant EN-standard och lokaliseringskrav.

**I 3B/P (50) Apparatkategori: (AT, DE, CH, SK)**

I3B/P(50): 50mbar butankonfigurationsregulator eller 50mbar propankonfigurationsregulator eller 50mbar butan/propanblandningskonfigurationsregulator.

Skruva fast en slang med rätt gängade kopplingar i varje ände, på ventilens vänstra 1/4" BSP-gänga. Fäst en lämplig 50mbar lågtrycksregulator på änden av slangens. Slangens som används måste överensstämma med DIN 4815 del 2 eller motsvarande.

## 2. Montering och ändring av gastillförseln

### Anslutning av gasförsörjningen

- Se till att gummitätningen på reglerventilen finns på plats och är i gott skick, innan apparaten ansluts till en gasbehållare.
- Innan du ansluter slangen och regulatorn till apparaten, kontrollera att apparatens kontrollratt är i läge "OFF".
- Kolla denna detalj varje gång du ansluter apparaten till en gasbehållare.
- Blås ut eventuella dammkorn ur cylinderöppningen för att förekomma tilltäppning av munstycket.
- Fäst en godkänd slang och regulator till apparaten.
- Se till att gastillförseln (gasflaska / gaspatron) är installerad på en väl ventilerad plats borta från alla användningskällor, såsom öppen låga, och borta från andra människor.
- Vrid inte slangen, och se till att den inte blir hopklämd. Se till att den läggs undan från själva köket så att du förekommer försämring / skada på slangen på grund av hettan.
- Se till att gasbehållaren alltid står i upprätt läge. Anslut cylindern genom att skruva på den stadigt för hand tills gängan sitter stadigt.
- Se till att det finns en komplett gastätning (kontrollera att det inte luktar gas runt anslutningen). Använd inte öppen låga för att kontrollera läckor. Använd varmt tvålatten på enhetens kontakter och anslutningar. Läckage gör att bubbler uppstår runt läckageområdet.
- Använd inte apparaten om du inte lyckas täta gasläckan, utan ta kontakt med din lokala försäljare för att få hjälp.

### Hur man kopplar bort och byter gastillförsel

- Efter användning, vrid kontrollvredet till läget "OFF" och stäng gastillförseln.
- När du behöver byta ut en tom cylinder, se till att gasen är stängd vid cylinderventilen.
- Rök inte när du byter cylinder.
- Ta bort regulatorn från den tomma cylindern.
- Fäst regulatorn på en full cylinder, se ovanstående instruktioner om hur man ansluter gastillförseln.
- Utför samma skötsel- och inspektionsprocedurer som när du installerar en ny gasflaska.

### Hur kontrollerar man om gasflaskan är tom?

- Det enklaste sättet att kontrollera om gasnivån är låg är att plocka upp gasflaskan.
- Om du tycker att din gasflaska är något lättare än normalt kan du väga den för att se hur mycket gas som finns kvar. De flesta flaskor har sin egen tomvikt stämplad på halsen eller bottenningen, och om vikten stämmer överens med vikten på din flaska har du ingen gas. Från skillnaden i vikt kan du uppskatta hur mycket gas som finns kvar.

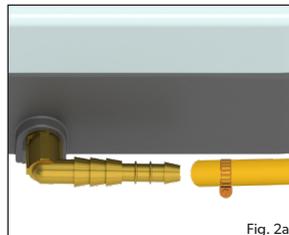


Fig. 2a

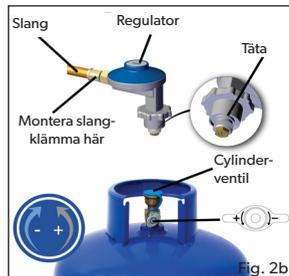


Fig. 2b

## 3. Användning av apparaten

- När du använder denna apparat, se till att alla delar är i gott skick och att du har kontrollerat för eventuella gasläckor före varje användning och tändning.
- Tillagningsytorna kan enkelt placeras och är redo att användas. Ingen montering krävs.
- **MÅRK VÄL:** Var god se till att allt skyddande förpackningsmaterial och all plast blir borttaget från apparaten innan den används.
- Apparaten är utformad för användning med kokkärn som är minst 180mm och högst 250mm i diameter.

### Försiktighetsåtgärder som ska iakttas före tändning.

- Använd endast denna apparat på en stabil, jämn yta.
- Efter långvarig förvaring, inspektera apparaten för eventuella insekter och spindelväv som kan påverka gasflödet.

### Tänd apparaten med piezo

- Det är tillrådligt att ta bort eventuella tillagningsytor när du försöker tända apparaten för att bättre se när brännaren är på.
- För att tända apparaten med piezotändaren, tryck och vrid kontrollvredet 90° moturs, tryck sedan på piezoknappen för att tända gasen (se fig. 3). Om gasen inte har antänts inom de första två till tre sekunderna, vrid tillbaka kontrollvredet till dess "OFF"-läge. Försök igen genom att trycka och vrida kontrollvredet moturs och trycka på piezoknappen för att tända gasen. Om gasen inte har antänts under de första två till tre sekunderna bör du stänga kontrollventilen genom att vrida tillbaka kontrollvredet till dess "OFF"-läge.
- Vänta cirka 30 sekunder tills eventuell gas som kan ha samlats i brännaren har avdunstat. Om det behövs, upprepa ovanstående process tills lågan tänds. Lågan ska tändas normalt inom de första två sekunderna.

### Tändning med en BBQ-tändare

- Vid kallstart kan apparaten tändas uppifrån innan önskad tillagningsyta monteras. När du tänder en varm apparat, rekommenderas att detta görs genom att sticka en BBQ-tändare genom ett av ventilationshålen under brännaren, tills den är i linje med brännaren (Placera INTE BBQ-tändaren genom det stora hålet direkt under brännaren). Tänd BBQ-tändaren. Medan BBQ-tändaren är tänd, tryck och vrid kontrollvredet moturs för att tända brännaren.



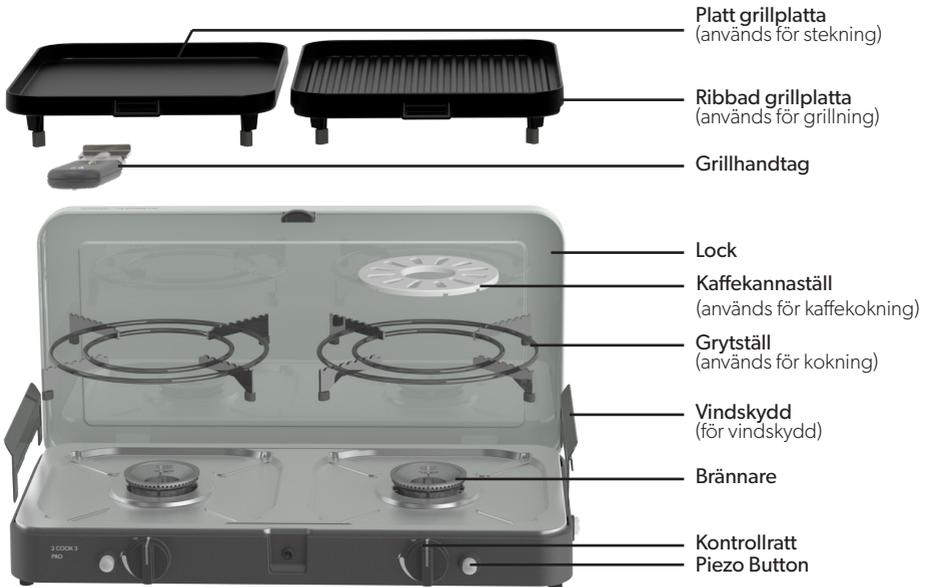
Fig. 3

**Allmän**

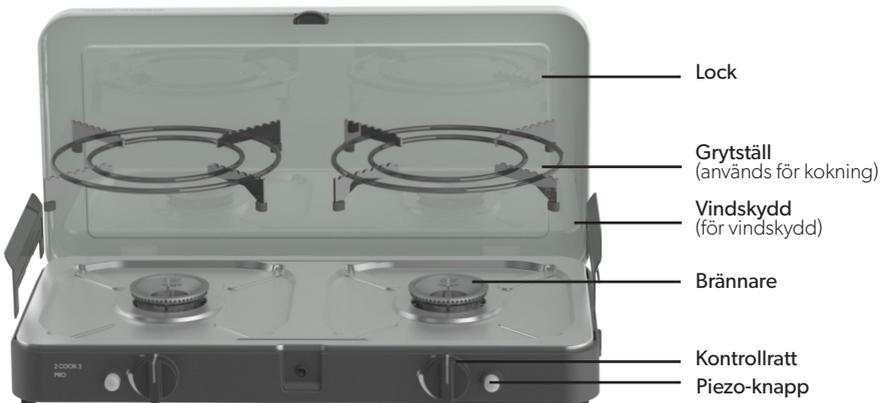
- När apparaten är tänd kan lågans intensitet justeras genom att vrida kontrollratten moturs för att minska lågan eller medurs för att öka den.
- När du lagar mat med hög fetthalt kan uppblussningar uppstå om värmenivån är för hög. Om detta händer, sänk värmen tills blossen slutar.
- Flytta inte enheten medan den används. Det är farligt att flytta enheten medan den är påslagen och kan orsaka uppblussning.
- Efter användning, stäng först gasflaskans kontrollventil (om någon). När lågan är släckt, stäng apparatens kontrollventil

**4. Komponentlista**

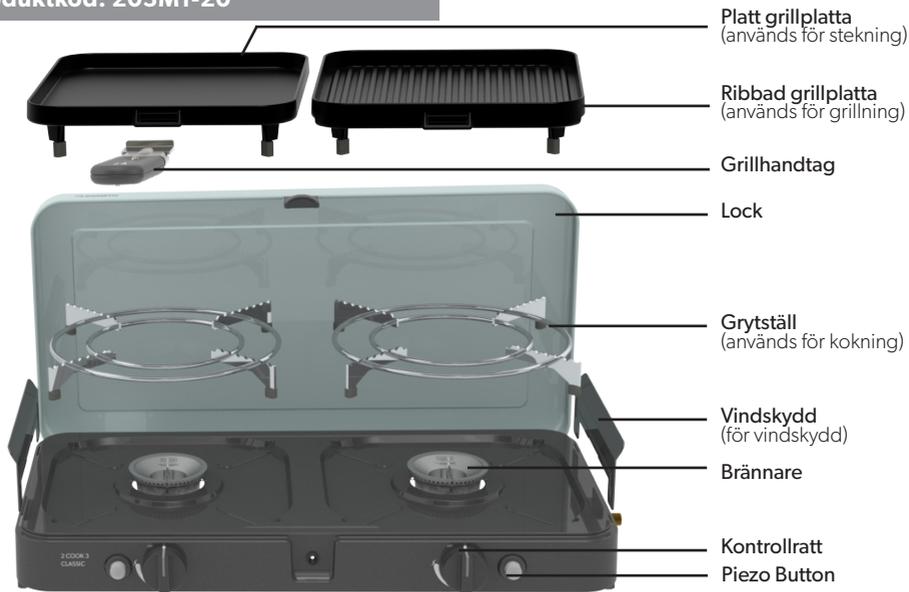
Produktkod: 203P1-20



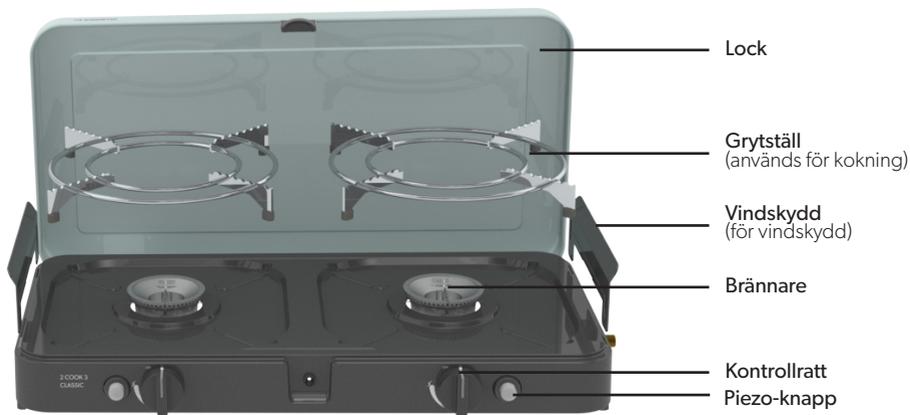
Produktkod: 203P1-10



Produktkod: 203M1-20



Produktkod: 203M1-10



Följande ytor ingår inte och säljs separat. Kontrollera tillgängligheten med din lokala återförsäljare.



Soft Soak 2 Cook



Paella Pan 30  
(används för Paella/  
Ftering)



Kaffekannaställ  
(Standard med  
203P1-20 modell)



Ribbad grillplatta  
(med grillhandtag)



Platt grillplatta  
(med grillhandtag)

## 5. GreenGrill Matlagningsalternativ

### GreenGrill Matlagning

De flesta matlagningsytor har vår GreenGrill-beläggning. Denna keramiska beläggning är helt PFOA-fri; den innehåller inga giftiga ämnen och garanterar hälsosammare matlagning!

#### FÖRBEREDELSE OCH ANVÄNDNING

- För att "krydda" din grill: innan du använder tillagningsytan för första gången kan du krydda den för att ge tillagningsytan ett tunt skyddande lager som förhindrar att maten fastnar. Det krävs inte men vi rekommenderar det. Det är väldigt enkelt: gnid lätt matolja på ytan och ställ sedan över medelvärmes i 2-3 minuter. När den svalnar, tvätta matlagningsytan med tvålatten före användning och smörj in den lätt med lite olja (valfri matolja, t.ex. solrosolja). Den är redo att gå!
- Obs: GreenGrill-beläggning leder värme bättre än produkter med en vanlig (PTFE) non-stick-beläggning. Vi rekommenderar därför att endast använda 75 % av kraften av det du är van vid.
- Lämn aldrig kokytan på värmekällan utan olja. Applicera ett tunt lager olja med en hushållsapper eller en pensel innan du placerar kokytan på värmekällan. Se till att du har oljat in alla delar, så med t.ex. ett BBQ-galler inkluderar också de upphöjda kanterna.
- Vi rekommenderar stekning i solrosolja eller rapsolja på grund av den höga kokpunkten. Olivolja kan ha en relativt låg kokpunkt, vilket kan göra att ingredienserna fastnar i pannan eller bränns. Vi rekommenderar därför inte att använda olivolja. Tips: ta upp kött eller fisk i rumstemperatur innan stekning. Detta förhindrar att den fastnar på matlagningsytan.
- Använd alltid silikon- och/eller träredskap så att GreenGrill-beläggningen inte skadas. Använd aldrig metallredskap eftersom det kan skada beläggningen.

#### RENGÖRING

- Låt kokytan svalna innan rengöring. Extrema temperaturförändringar kan deformera tillagningsytan.
- GreenGrill-beläggningen är "Easy Clean". Varmt tvålatten och en mjuk svamp räcker för att rengöra GreenGrill-tallriker. Undvik skursvampar eller stålull.
- Om matrester finns kvar på tillagningsytan från tidigare användning kan de fastna på beläggningen och orsaka bruna fläckar. I dessa områden kan ingredienserna fastna på matlagningsytan eftersom beläggningen inte längre är tillgänglig. Se till att dessa fläckar har tagits bort ordentligt före användning.
- För envisa fläckar eller rester i paellapannan eller pannan, försök att blötlägga den över natten i varmt tvålatten eller använd "vinägermetoden": håll ett lager vinäger i pannan och varm pannan något. Vinägern behöver inte koka, och den ska absolut inte avdunsta helt. Häll vinägern från pannan, tvätta pannan med tvålatten och pannan blir som ny igen. Obs: Uppvärmningsvinägern kan ha en obehaglig lukt.
- CADAC | DOMETIC Soft Soak (säljs separat) är den idealiska komplementprodukten för att underlätta blötläggning över natten. När du använder Soft Soak rekommenderar vi att du placerar matlagningsytan med framsidan nedåt vilket möjliggör maximal blötläggning och dessutom använder mindre vatten.
- Observera att om du använder Soft Soak 2 Cook kan du blötlägga båda gallren samtidigt. För att göra det placerar du den ena matlagningsytan uppåt och den andra vänd nedåt som du ser på bilderna.
- Eventuella envisa fläckar som finns kvar efter blötläggning kan lossas och borstas bort med CADAC | DOMETIC Soft Soak Brush (säljs separat)
- Torka av med en mjuk trasa så är det klart!

#### UNDERHÅLL

- Vi rekommenderar att du tillsätter lite olja på kokytan efter rengöring och sprider den med hushållsapper. Oljan tätar ytan från utomhusluft och fukt. Det ser också till att maten inte bränner fast i ytan.
- Placera matlagningsytan i en plastpåse innan du lägger den i förvaringspåsen så att du är säker på att förvaringspåsen förblir ren och oljefri.
- Förvaringspåsen förhindrar skador på GreenGrill-beläggningen och din produkt



Blötläggning med Soft Soak 2 Cook (Grillar ingår ej)



Soft Soak Brush

### Matlagningsalternativ

- Det här är de tillgängliga tillagningsalternativen. (Använd vindrutor vid blåsiga förhållanden)

**Grillning:** Detta tillagningsalternativ är idealiskt för fettfri grillning av kyckling, korv, kotletter, kebab, fisk eller grönsaker. För denna typ av matlagning, använd grillplattan

**Varning:** Observera att när du lagar fett kött kommer det att stänka lite fett på enheten, vilket kan orsaka uppblåsningar. Var försiktig när du hanterar sådant kött. Tillagningstemperaturerna justeras enkelt för att passa dina egna behov genom att vrida på kontrollratten för att reglera värmegraden.

**Fritering:** Det här alternativet är idealiskt för röror, fisk, frukost, pannkakor, räkor, paella och grönsaker. För denna typ av matlagning, använd den platta grillen. Observera att eftersom det är en grund panna så lämpar den sig endast för ytlig pannfritering. Den lättstädade ytan uppmuntrar minimal användning av fett för hälsosam matlagning.

**Kokning:** För denna typ av matlagning, placera gryttätlet i sina spår och se till att det sitter ordentligt. Placera en lämplig kruk (inte mindre än 180 mm i diameter och inte mer än 250 mm i diameter). En liter vatten kommer att koka på cirka 6 minuter beroende på förhållandena, storleken på kastrullen som används etc.

**Obs:** När du använder små krukor, försök inte använda krukor med plasthandtag eftersom dessa kan bli extremt varma.

**Paella:** Detta tillagningsalternativ är idealiskt för att tillaga paella, risotto, pastarätter, traditionell frukost etc. Paella Pan 30 är gjord av högkvalitativt pressat aluminium som möjliggör utmärkt värmefördelning och kvarhållning.

**Kaffe:** Detta alternativ är idealiskt för att göra en varm kopp kaffe. Perfekt för när som helst, var som helst.

## 6. Rengöring

- Vi rekommenderar att du rengör apparaten efter varje användningstillfälle. Det förlänger livet på apparaten.
- Låt apparaten svalna innan du rengör den.
- Använd en fuktig trasa urvriden i en lösning av tvålvatten för att rengöra utvändiga ytor.
- För att rengöra kökets stomme, torka den ren med en fuktig trasa, eventuellt med lite diskmedel om så krävs.
- **DOPPA INTE NER DEN I VATTEN**, eftersom detta gör det möjligt för vatten att ta sig in i brännarröret, så att apparaten inte fungerar ordentligt.
- Grillplattan är belagd med en tuff slitstark keramisk non-stick-beläggning som har använts med stor framgång på några av de bästa köksredskapen i världen. Ändå kan ta hand om det hjälpa dig att njuta av extra år av hälsosam, enkel matlagning utan vidhäftning.
- Även om den keramiska non-stick-beläggningen är mycket hållbar, kan den lätt skadas genom att använda metallredskap. Därför rekommenderas att du endast använder plast- eller träredskap för matlagning • Låt alltid grillen/plattan svalna innan den sänks ned i vatten.
- Se till att inget vatten kommer in på brännarna eller pilot-/tändområdet. Torka av apparaten helt torr före användning.
- Använd inte slipande rengöringsmedel eftersom de kan skada ytorna.
- Rengör apparaten efter varje användning. Efter rengöring rekonditionera kokytan med en lätt torka av olja.
- Använd inte någon högtrycksångutrustning eller en vattenstråle för att rengöra apparaten.
- Obs: För envisa fläckar kan CADAC ugnsgrengörare användas.

## 7. Lagring

- Låt alltid enheten svalna och rengöras innan den förvaras.
- Stäng av gastillförseln till apparaten, koppla ur och ta bort gastillförseln från apparaten.
- Förvara aldrig en apparat med gastillförseln ansluten, detta är en osäker praxis.
- Förvara apparaten och gastillförseln i ett välventilerat utrymme borta från brännbart material. Förvaring av cylindrar bör helst vara utomhus och får INTE finnas i en källare.

## 8. Underhåll & felsökning

### Underhåll

- Om du rengör och underhåller din apparat regelbundet förlängs apparatens livslängd och risken för problem minskar.
- Denna apparat kräver inget planerat underhåll.
- Denna apparat får endast servas av en auktoriserad person.
- Kontrollera din gasslang och anslutningar regelbundet för tecken på läckage och varje gång gasflaskan fylls på eller monteras på apparaten vid varje användning.

### Felsökning

Vid stänkande låga eller jetblockering:

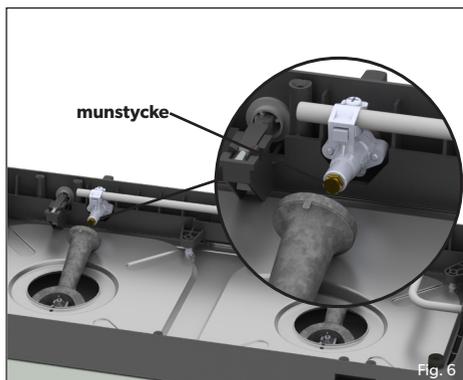
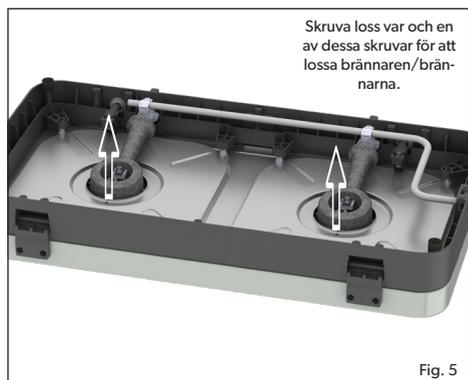
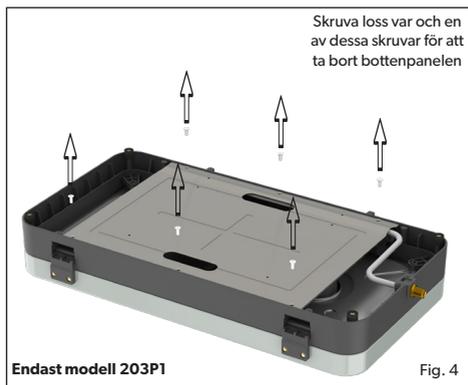
- Rengör dina brännarportar vid spill.
- Vi rekommenderar att du rengör eller byter ut jetmunstyckena var sjätte (6) månad för att säkerställa fortsatt effektiv drift av din apparat. Om apparaten skulle fungera onormalt efter förvaring och alla kontroller inte har löst problemet, kan munstycket vara blockerat. Ett blockerat munstycke indikeras av en svagare gulaktigt låga eller ingen låga alls i extrema fall. Under dessa omständigheter är det nödvändigt att ta bort och inspektera och noggrant rengöra alla främmande föremål som kan ha samlats i apparaten.
- Detta kan göras genom att ta bort strålen med vanliga verktyg och blåsa bort all smuts från strålen, eller så kan du köpa nya strålar från din lokala butik. Försök inte att mekaniskt rengöra strålen.

### Byte av ett blockerat jetmunstycke:

- Din apparat är utrustad med en specifik storleksstråle för att reglera rätt mängd gas.
- Om hålet i jetmunstycket är blockerat kan detta leda till en liten låga eller ingen låga alls. Försök inte att rengöra jetmunstycket med en nål eller annan sådan enhet, eftersom detta kan skada öppningen, vilket kan göra enheten osäker.
- **För att byta ut jetmunstycket:** Ta bort eventuella tillagningsytor, stäng locket och vänd apparaten upp och ner. Skruva försiktigt loss bottenpanelen genom att ta bort skruvarna (fig. 4) (endast modell 203P1). Skruva loss skruven för den eller de berörda brännarna (fig. 5), lossa den försiktigt och släpp brännaren enligt bilden för att exponera strålen. Observera att brännaren är ansluten till piezokabeln, efter att du har bytt ut jetmunstycket och återmonterat det, kontrollera att denna kabel fortfarande är ansluten. Jetmunstycket kan nu ses på ventilen, ta bort jetmunstycket med en lämplig skiftnyckel (fig. 6). Inte använd en tång för att ta bort jetmunstycket, eftersom detta kan skada jetmunstycket och göra det oanvändbart eller omöjligt att ta bort. Skruva i det nya jetmunstycket ventilen. Dra inte åt för mycket eftersom det kan skada jetmunstycket.
- Upprepa ovanstående procedur för att återmontera enheten.

### Byte av slang:

- Installationen av en slang beskrivs i avsnitt 2.



## 9. Reservdelar och tillbehör

- Använd alltid äkta reservdelar eftersom de har utformats för att ge optimal prestanda.

Reservdelar		Reservdelar		Tillbehör	
Artikel	Reservdelar nr.	Artikel	Reservdelar nr.	Artikel	Reservdelar nr.
	202-SP004		202-SP011		203-100
	202-SP012		202-SP020		203-900
	203P-SP001		203P-SP002		8640
	203P-SP003		203P-SP005		203-200
	203P-SP008		203P-SP011		203-300
	203P-SP015		203P-SP018		98326
	HM6-073 (munstycke 0.73 28-30 mbar) HM6-069 (munstycke 0.69 37mbar) HM6-064 (munstycke 0.64 50mbar)		203P-SP012		
	203P-SP023				

## 10. Garanti

CADAC Europe BV utfärdar härmed en garanti till den URSPRUNGLIGA KÖPAREN av denna CADAC Europe BV-gasapparat, att den ska vara fri från fel i material och tillverkning enligt följande, räknat från inköpsdatum:

Ventiler:	2 år
Plastdelar:	Ingen garanti
Pressgjutning	1 år
Emaljerade delar:	2 år
Brännare:	1 år

Garantin gäller endast förutsatt att apparaten monterats och använts i överensstämmelse med den tryckta bruksanvisningen.

CADAC Europe BV kan komma att begära rimligt bevis för inköpsdatum. BEHÅLL DÄRFÖR KASSAKVITTOT ELLER FAKTURAN.

Denna begränsade garanti är begränsad till reparation eller utbyte av delar som visar sig defekta vid normal användning och service, och som vid undersökning kan visas vara defekta till CADAC Europe BVs belåtenhet. Kontakta först kundservice-representanten i ditt område, med hjälp av kontaktinformationen i din handledning, innan du returnerar några delar. Om CADAC Europe BV bekräftar defekten och godkänner klagomålet, åtar sig CADAC Europe BV att byta ut byta ut sådana delar gratis. CADAC Europe BV kommer att skicka delarna till köparen inräknat frakt eller porto.

Denna begränsade garanti täcker inga fel eller funktionssvårigheter uppkomna genom olyckshändelse, missbruk, felaktigt bruk, ändringar, användning till något apparaten inte är avsedd för, vandalism, felaktig installation eller bristande underhåll eller service, eller underlåtande att utföra normalt rutinunderhåll. Denna begränsning innefattar, men är ej begränsad till, skada förorsakad av insekter i brännarrören, såsom förklaras i denna handledning.

Försämring eller skada orsakad av omilt väder, som hagel, orkan, jordskalv eller virvelstormar, liksom missfärgning orsakad av att ytor utsatts för kemikalier, vare sig direkt eller i atmosfären, täcks ej av denna Begränsade Garanti.

Inga andra uttryckliga garantier existerar förutom vad som härunder förklarats. Varje annan implicit garanti beträffande säljbarhet och användbarhet som kan tänkas gälla, är tidsbegränsad till de perioder som täcks av denna uttryckliga skriftliga garanti. Vissa länder tillåter ingen begränsning av hur länge en implicit garanti gäller, så denna begränsning gäller möjligen inte i ditt fall.

CADAC Europe BV tar inget ansvar för några som helst särskilda, indirekta eller följdskador. Vissa länder tillåter inte uteslutande eller begränsningar av bi- eller följdskador, så denna begränsning/detta uteslutande gäller möjligen inte i ditt fall.

CADAC Europe BV ger ingen fullmakt till någon person eller firma att för dess räkning ta på sig något ansvar eller någon skyldighet i samband med försäljning, installation, bruk, borttagande, återsändande eller utbyte av dess apparatur, varför inga påståenden av denna art är bindande för CADAC Europe BV.

Denna Garanti gäller endast produkter sålda i detaljhandeln.

För att njuta av och säkerställa en lång livslängd för din produkt, se avsnittet om rengöring och underhåll i användarmanualen.

## Razlaga simbolov



Recikliranje embalaže. Embalažni material odložite v ustrezne zabojnike za recikliranje odpadkov, kjer koli je to mogoče.

Poskrbite za zadostno prezračevanje. Ta plinska naprava uporablja zrak (kisik). Aparata ne uporabljajte v neprežračenem prostoru. Če se vedno več plinske naprave in / ali potniki, ki uporabljajo plin dodan prostor, je treba zagotoviti dodatno prezračevanje. Če so prostoru dodane kakršne koli naprave, ki uporabljajo plin, je treba zagotoviti dodatno prezračevanje.

### POMEMBNO

Pozorno preberite navodila, da se seznanite z napravo pred priključitvijo aparata z jeklenko.

Navodila shranite za poznejšo uporabo.

## 1. Varnostne informacije

Ta navodila so za vašo varnost in v izogib nevarnosti poškodb. Če se navodilom ne sledi natančno, garancija ne velja.

- Aparat je v skladu z BS EN 484.
- Plinske naprave potrebujejo prezračevanje za učinkovito delovanje in zagotavljanje varnosti uporabnikov in drugih v neposredni bližini. Aparata ne uporabljajte v neprežračenem prostoru. Namenjeno je samo zunanji uporabi.
- Prostor, kjer je naprava uporabljena mora imeti okno ali vrata, ki se lahko odpre in je/so delno odprti med uporabo. Če v prostoru ni okna ali vrat, je zaradi varnosti dodatno prezračevanje potrebno namestiti.
- Poskrbite, da je naprava uporabljena v prostoru z dobrim prezračevanjem.
- OPOZORILO: DOSTOPNI DELI SO LAHKO ZELO VROČI. DRŽITE LAMAJE OTROKE PROČ.**
- Cilinder plina se uporablja le v pokončnem položaju.
- Pred uporabo aparata preberite navodila.

### Montaža in uporaba

- Naprave ne uporabljajte, če ima poškodovana ali obrabljena tesnila.
- Ne uporabljajte aparata, ki pušča, je poškodovan ali ne deluje pravilno.
- Z napravo ravnajte previdno. Ne pustite, da pade.
- Napravo vedno uporabljajte na stabilni ravni površini
- Poskrbite, da je sestavljen proizvod stabilen in se ne maje.
- Ta naprava ni primerna za namestitvev ali priključitev na mrežasto oskrbo s plinom
- Ta naprava ne sme biti v bližini vnetljivih materialov med uporabo. Minimalne varne razdalje so:

- Nad napravo 1,2 m. Na zadnji strani in ob straneh 0.6m. (Slika 1a)
- Pri uporabljanju lonca je minimalna priporočena velikost 180 mm in največja priporočena velikost 250mm.
- Ne uporabljajte kuhalne površine ali lonca, ki je večji od priporočene velikosti. Naše kuhalne površine so bile posebej zasnovane tako, da omogočajo izgorevanje plina in vztrajate tega prostora lahko vpliva na delovanje te naprave.
- Te naprave ne spreminjajte, vsaka sprememba je lahko nevarna. Ne uporabljajte ga za ničesar, za kar ni bil zasnovan.
- Naprave ne premikajte med uporabo.
- Prizgane aparata nikoli ne puščajte brez nadzora.
- Med uporabo se deli aparata segrejejo (predvsem gorilnik), zato se ne dotikajte vročih delov z golimi rokami. Priporočljiva je uporaba rokavic.
- Prepričajte se, da so vse kuhalne površine/stojala za lonce med uporabo naprave pravilno nameščeni.

### Cev

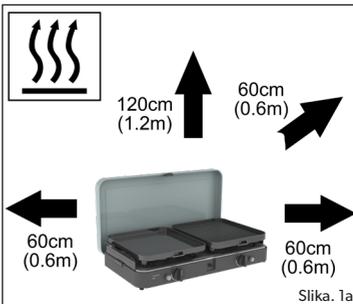
- Pred vsako uporabo in pred priključitvijo na posodo za plin je treba cev preveriti glede obrabe ali poškodb.
- Aparata ne uporabljajte, če je cev poškodovana ali obrabljena. Zamenjajte cev.
- Ne zvijajte ali poškodujte cevi.
- Dolžina cevi ne sme biti manjša od 0,8m, in ne sme presežati 1,2 m. Cev je potrebno zamenjati, ko je poškodovana ali kaže znake krhkosti ali razpok.

### Posoda za plin

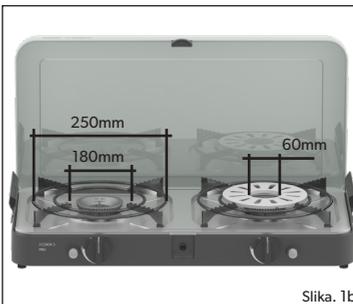
- Plin se v enoto dovaja preko cevi in regulatorja. Cev in regulator lahko priključite na plinsko jeklenko ali Power Pak, ki je naprava, ki sprejme dve ali več plinskih kartuš. Opomba: Cev, regulator in Power Pak niso dobavljeni z aparatom.
- POSKUS NAMESTITVEV DRUGIH VRST PLINSKIH JEKLEN ALI PLINSKIH KARTUŠ (KI SE UPORABLJAJO V POVEZAVI Z POWER PAK) JE LAHKO NEVAREN.**
- To napravo smete uporabljati samo z odobreno cevjo in regulatorjem.
- Za uporabo samo s plinsko jeklenko, ki ne presega 500 mm v višino (brez regulatorja) in 400 mm v širino.
- Prepričajte se, da je posoda za plin nameščena ali zamenjana na dobro prezračevanem mestu, po možnosti na prostem, stran od kakršnih koli virov vžiga, kot so odprti ogenj, piloti, električni požari in stran od drugih ljudi.
- Posode za plin hranite stran od vročine in ognja. Ne postavljajte na štedilnik ali katero koli drugo vročo površino.
- Posode, ki jih je mogoče ponovno napolniti, je treba uporabljati samo v pokončnem položaju, da zagotovite pravičen odvzem goriva.
- Neupoštevanje tega lahko povzroči izpust tekočine iz posode za plin, kar povzroči nevarne pogoje delovanja.
- Ne poskušajte odstraniti plinske posode, medtem ko naprava deluje.
- Posoda za plin je treba po uporabi ali med skladiščenjem odklopiti od naprave

### Lahek hrbet

- V primeru vrnitve svetlobe (ko plamen gori nazaj in se vžge v notranjosti gorilnika ali venturijevega ohišja), takoj izklopite dovod plina tako, da najprej zaprete regulacijski ventil na plinski jeklenki in nato ventil naprave. Ko plamen ugasne, odstranite regulator in preverite stanje tesnila; zamenjajte tesnilo, če ste v dvomih. Ponovno prižgite napravo.
- Če plamen vztrajno gori, izdelek vrnite pooblaščenemu servisierju.



Slika 1a



Slika 1b

**Puščanja**

- Če pride do puščanja plina v vaši napravi (smrad po plinu), takoj izklopite dovod plina tako, da obrnete gumb za upravljanje v smeri urinega kazalca na "OFF" postavite na mesto brez plamena, kjer je mogoče zaznati in ustaviti puščanje plina. Če želite preveriti puščanje plina na vašem napravo, naredite zunaj. Ne poskušajte odkriti puščanja plina s plamenom; uporabite milnico.
- Če ne morete odpraviti puščanja plina, aparata ne uporabljajte. Za pomoč se obrnite na lokalnega dobavitelja.

**Kako preveriti, ali je naprava pravilno priključena na dovod plina**

- Pomembno je, da so vse plinske povezave pravilno priključene saj s tem preprečite uhajanje plina.
- Pravilen način je, da spoj, tj. mesto, kjer se posoda za plin poveže z aparatom, namažete z milnico. Gumb za upravljanje aparata rahlo obrnite v nasprotni smeri urinega kazalca, da vklopite plin. Če nastanejo mehurčki, pride do puščanja plina. Takoj izklopite plin in izključite dovod plina iz naprave. Preverite, ali so vsi priključki pravilno nameščeni. Preverite, ali je tesnilo na mestu in v dobrem stanju, preden priključite dovod plina. Po ponovni namestitvi dovoda plina ponovno preverite z milnico.
- Če puščanje plina ne preneha, izdelek vrnite lokalnemu prodajalcu v pregled/popravilo.

Uporabno v državi	BE, CH, CY, CZ, ES, FR, GB, GR, IE, IT, LT, LU, LV, PT, SK & SI		PL	BE, CY, DK, EE, FR, FI, HU, IT, LT, NL, NO, SE, SI, SK, RO, HR, TR, BG, IS, LU, MT, & ZA	AT, CH, DE & SK
Kategorija naprave	I <sub>3</sub> +(28-30/37)		I <sub>3B</sub> /P(37)	I <sub>3B</sub> /P(30)	I <sub>3B</sub> /P(50)
Dovoljeni plini	Butan-G30	Propan-G31	Butan-G30, Propan-G31 ali njihova mešanica		
Tlak plina	28-30mbar	37mbar	37mbar	28-30mbar	50mbar
Številka brizgalne šobe	0.73		0.69	0.73	0.64
Nazivna uporaba	Butan - 160 g/h na gorilniku (160g/h x 2 = 320g/h skupaj)		Butan - 160 g/h na gorilniku (160g/h x 2 = 320g/h skupaj)	Butan - 160 g/h na gorilniku (160g/h x 2 = 320g/h skupaj)	Butan - 160 g/h na gorilniku (160g/h x 2 = 320g/h skupaj)
Bruto nom. vnos toplote	2.2kW na gorilniku (2.2kW x 2 = 4.4kW skupaj)		2.2kW na gorilniku (2.2kW x 2 = 4.4kW skupaj)	2.2kW na gorilniku (2.2kW x 2 = 4.4kW skupaj)	2.2kW na gorilniku (2.2kW x 2 = 4.4kW skupaj)

Ime kartice države				
AE = Združeni Arabski Emirati	AL = Albanija	AT = Avstrija	BE = Belgija	CH = Švica
CZ = Češka	DE = Nemčija	DK = Danska	ES = Španija	FI = Finska
FR = Francija	GB = Združeno kraljestvo	GR = Grčija	HR = Hrvaška	IT = Italija
JP = Japonska	KR = Koreja	NL = Nizozemska	NO = Norveška	PL = Poljska
PT = Portugalska	RO = Romunija	RU = Rusija	RS = Srbija	SI = Slovenija
SK = Slovaška	SE = Švedska	TR = Turčija	ZA = Južna Afrika	

**I 3B/P (30), I3+ (28-30/37) in I 3B/P (37), kategorije naprav: (DK, FI, NO, NL, SE, AT, DE, BE, ES, FR, IE, IT, PT, GB, CH)**

Potisnite odobreno cev na zadnji del ventila, dokler ni pravilno nameščen. Na drugi konec pritrdite ustrezen regulator nizkega tlaka. I3B/P(30) : regulator konfiguracije butana 30mbar ali regulator konfiguracije propana 30mbar ali regulator konfiguracije mešanice butana/propana 30mbar.

I3B/P(37) : regulator konfiguracije butana 37mbar ali regulator konfiguracije propana 37mbar ali regulator konfiguracije mešanice butana/propana 37mbar.

I3+(28-30/37) : regulator konfiguracije butana 30mbar ali regulator konfiguracije propana 37mbar.

Ponovno se prepričajte, da je cev pravilno nameščena. Vrsta uporabljene cevi mora biti v skladu z ustreznim standardom EN in zahtevo za lokacijo.

**I 3B/P (50) Kategorija aparata: (AT, DE, CH, SK)**

I3B/P(50) : regulator konfiguracije butana 50mbar ali regulator konfiguracije 50mbar propana ali regulator konfiguracije mešanice butana/propana 50mbar.

Privijte cev s pravnimi navojnimi priključki na vsakem koncu na levi 1/4" BSP navoj ventila. Na konec cevi pritrdite ustrezen 50mbar nizkotlačni regulator. Uporabljeni cevni sklop mora biti v skladu z DIN 4815, del 2 ali enakovrednim.

## 2. Montaža in menjava dovoda plina

### Priključitev dovoda plina

- Pred priključitvijo aparata na plinsko jeklenko, poskrbite, da je gumijasto tesnilo na regulatorju v pravilnem položaju in v dobrem stanju.
- Preden priključite cev in regulator na aparat, preverite, ali je upravljalni gumb naprave je v položaj "OFF".
- To preverjanje opravite vsakič, ko napravo namestite na plinsko jeklenko.
- Izpahajte prah iz odprtine za dovod plina, da preprečite morebitno zamašitev šobe.
- Na aparat priključite odobreno cev in regulator.
- Prepričajte se, da je oskrba s plinom (plinska jeklenka/plinska kartuša) nameščena na dobro prezračevanem mestu, stran od kakršnega koli vira vžiga, kot je odprti ogenj, in stran od drugih ljudi
- Ne zvijajte ali poškodujte cevi. Zagotovite, da cev ni nesposredno v bližini ognja, da bi preprečili poškodbe cevi zaradi vročine.
- Poskrbite, da je jeklenka ves čas v pokončnem položaju. Jeklenko povežite s privijanjem tesnil na strani, dokler se popolnoma ne prilega.
- Prepričajte se, da je plinsko tesnilo dobro (preverite vonj po plinu okoli priključka). Ne preverjajte puščanja z odprtim ognjem. Uporabljajte samo toplo milnico, ki jo naneseite na spoje in priključke aparata. Morebitno puščanje se bo pokazalo kot mehurčki okoli območja puščanja.
- Če ne morete odpraviti uhajanja plina aparata ne uporabljate, ampak obrnite na lokalnega trgovca za pomoč.

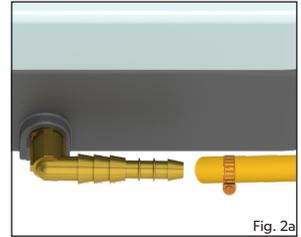


Fig. 2a

### Odklop in zamenjava dovoda plina

- Po uporabi obrnite gumb za upravljanje aparata v položaj "OFF" in zaprite dovod plina.
- Ko morate zamenjati prazno jeklenko, se prepričajte, da je plin zaprt na ventilu jeklenke.
- Med menjavo jeklenke ne kadite.
- Odstranite regulator iz praznega cilindra.
- Regulator pritrдите na polno jeklenko, glejte zgornja navodila, kako priključiti dovod plina.
- Izvedite enake postopke nege in preverjanja kot pri nameščanju nove plinske jeklenke.



Slika. 2b

### Kako preveriti, ali je plinska jeklenka prazna?

- Najlažji način, da preverite, ali je nivo plina nizek, je dvig plinske jeklenke.
- Če menite, da je vaša plinska jeklenka nekoliko lažja kot običajno, jo lahko stehate in vidite, koliko plina je ostalo. Večina jeklenk ima na vratu ali spodnjem obroču vtisnjeno lastno prazno težo in če se teža ujema s težo vaše steklenice, nimate plina. Iz razlike v teži lahko ocenite, koliko plina je ostalo.

## 3. Upravljanje naprave

- Ko uporabljate to napravo, se prepričajte, da so vsi deli v dobrem stanju in da ste pred vsako uporabo in vžigom preverili morebitno puščanje plina.
- Kuhalne površine je mogoče enostavno namestiti in so pripravljene za uporabo. Sestavljanje ni potrebno.
- **OPOZORILO:** Poskrbite, da se vsa zaščitna embalaža in plastiko odstrani iz naprave pred uporabo.
- parat je namenjen za uporabo s kuhinjsko posodo z najmanj 180 mm v premeru in največ do 250mm v premeru.

### Previdnostni ukrepi, ki jih je treba sprejeti pred razsvetljavo.

- Napravo uporabljajte samo na stabilni ravni površini.
- Po dolgotrajnem skladiščenju preverite, ali v napravi ni žuželk in pajčevine, ki bi lahko vplivale na pretok plina.

### Vžig aparata s Piezo

- Priporočljivo je, da odstranite vse kuhalne površine, ko poskušate prižgati aparat, da bolje vidite, kdaj je gorilnik vklopljen.
- Če želite napravo prižgati s piezo vžigom, pritisnite in obrnite gumb za upravljanje za 90° v nasprotni smeri urnega kazalca, nato pritisnite piezo gumb, da vžgete plin (glejte sliko 3). Če se plin ne vžge ob prvi iskre, obrnite gumb za upravljanje nazaj v položaj "OFF". Poskusite znova, tako da pritisnete in zavrtite upravljalni gumb v nasprotni smeri urnega kazalca in pritisnete piezo gumb, da vžgete plin. Če se gorilnik ne vžge v prvih dveh do treh sekundah, zaprite regulacijski ventil tako, da obrnete krmilni gumb nazaj v položaj "OFF".
- Počakajte približno 30 sekund, dokler plin, ki se je morda nabral v gorilniku, ne izhlapi. Po potrebi ponovite zgornji postopek, dokler se plamen ne vname. Plamen naj bi se običajno vžgal v prvih dveh sekundah.

### Prižiganje z vžigalnikom za žar

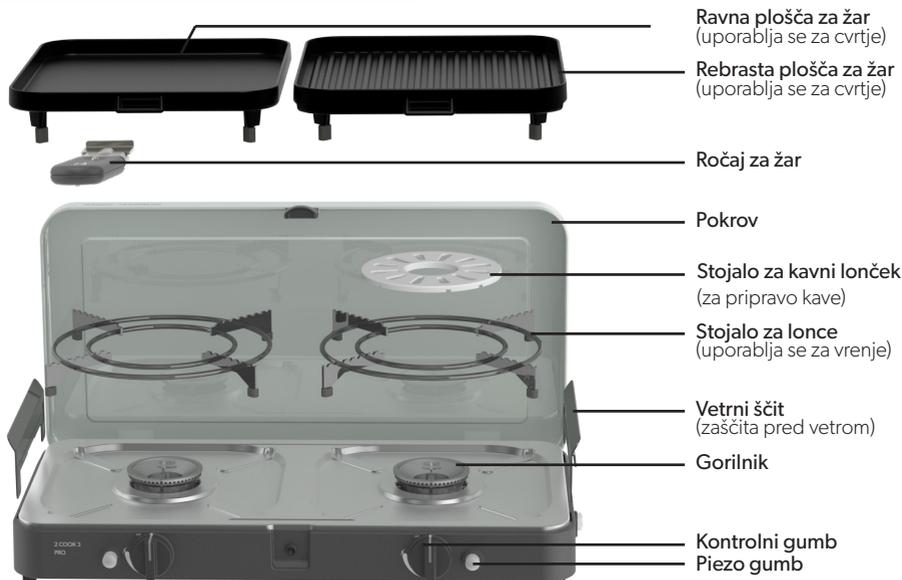
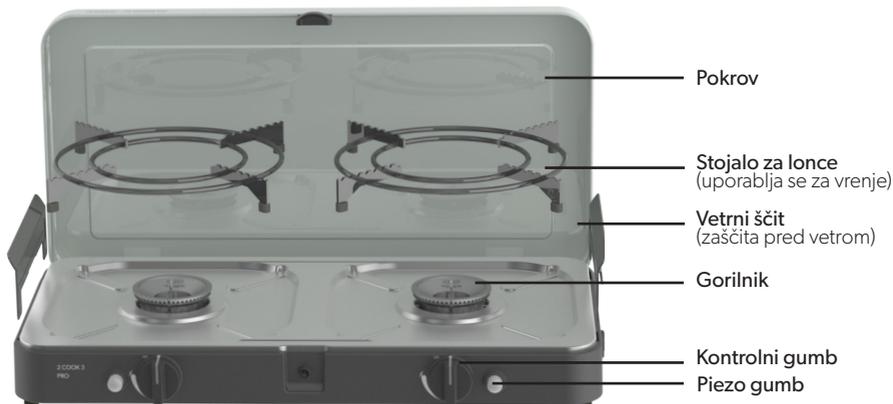
- Ob hladnem zagonu se lahko aparat vžge od zgoraj, preden namestite želeno kuhhalno površino. Ko prižgete vročo napravo, je priporočljivo, da to storite tako, da vžigalnik za žar vstavite skozi eno od odprtin za odračevanje pod gorilnikom, dokler ni v isti ravnini z gorilnikom (NE postavljajte vžigalnika za žar skozi veliko luknjo neposredno pod gorilnik). Prižgite vžigalnik za žar. Medtem ko je vžigalnik za žar prižgan, pritisnite in obrnite gumb za upravljanje v nasprotni smeri urnega kazalca, da prižgete gorilnik.



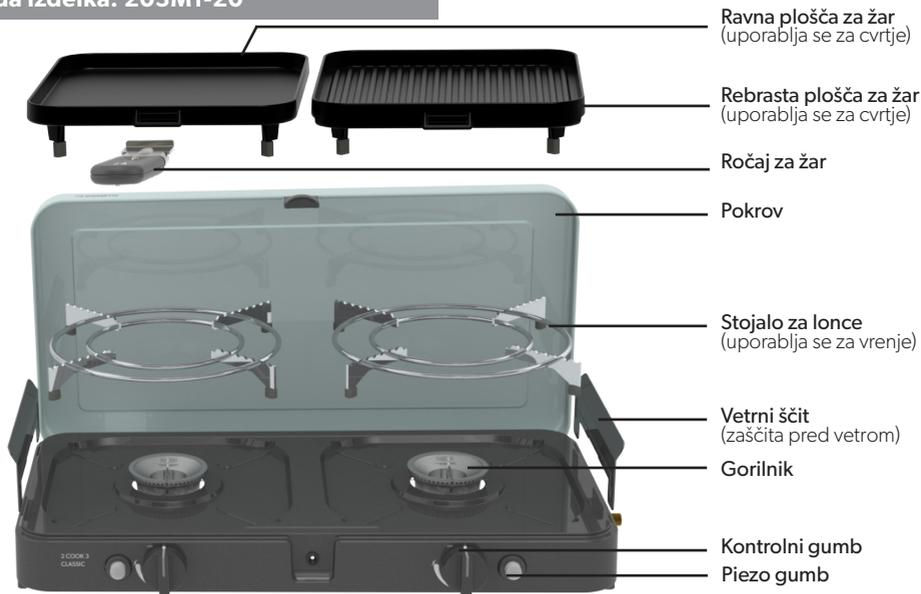
Slika. 3

**General**

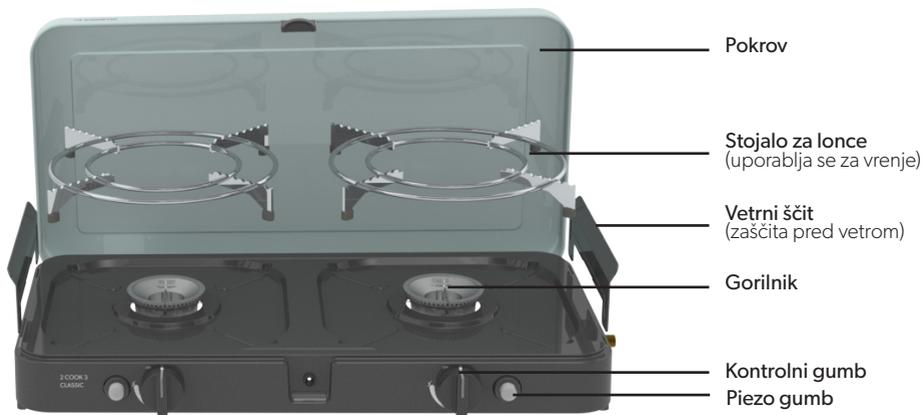
- Ko je aparat prižgan, lahko intenzivnost plamena nastavite z obračanjem gumba za upravljanje v nasprotni smeri urinega kazalca, da zmanjšate plamen, ali v smeri urinega kazalca, da povečate plamen.
- Pri kuhanju hrane z visoko vsebnostjo maščob lahko pride do sežganja, če je izbrana nastavev toplote previsoka. Če se to zgodi, zmanjšajte toploto, dokler se gorenje ne ustavi.
- Ne premikajte aparata, medtem ko je v uporabi. Premikanje aparata, ko je vklopljeno, ni varno in lahko povzroči opeklene.
- Po uporabi najprej zaprite regulacijski ventil na plinski jeklenki (kjer je primerno). Ko plamen ugasne, zaprite regulacijski ventil na napravi

**4. Seznam komponent****Koda izdelka: 203P1-20****Koda izdelka: 203P1-10**

## Koda izdelka: 203M1-20



## Koda izdelka: 203M1-10



Naslednje površine niso vključene in se prodajajo ločeno. Preverite razpoložljivost pri vašem lokalnem prodajalcu.



Soft Soak 2 Cook

Paella Pan 30  
(uporablja se za paello/  
cvrtje)Stojalo za kavni  
lonček  
(Standardno z  
203P1-20 model)Rebrasti žar  
(z ročajem za žar)Ploski žar  
(z ročajem za žar)

## 5. Možnosti kuhanja GreenGrill

### GreenGrill kuhanje

Večina kuhalnih površin ima naš premaz GreenGrill. Ta keramični premaz je popolnoma brez PFOA; ne vsebuje strupenih snovi in zagotavlja bolj zdravo kuhanje!

#### PRIPRAVA IN UPORABA

- Za pripravo žara: pred prvo uporabo kahalne površine jo lahko začinite, da kuhalni površini nanesete tanko zaščitno plast, ki preprečuje sprijemanje hrane. Ni obvezen, vendar ga priporočamo. Zelo enostavno je: po površini rahlo vtrite jedilno olje in nato za 2-3 minute postavite na zmeren ogenj. Ko se ohladi, kahalno površino pred uporabo sperite z milnico in jo rahlo namažite z oljem (jedilno olje po vaši izbiri, npr. sončnično olje). Pripravljeno je!
- Opomba: prevleka GreenGrill bolje prevaja toploto kot izdelki z običajnim (PTFE) neoprijemljivim premazom. Zato priporočamo uporabo le 75 % moči tistega, na kar ste vajeni.
- Kuhalne površine na viru toplote nikoli ne puščajte brez olja. Preden kahalno površino postavite na vir toplote, s kuhinjsko papirnato brisačo ali čopičem nanesite tanko plast olja. Prepričajte se, da ste vse dele naoljili, zato z npr. rešetka za žar vključuje tudi dvignjene robove.
- Priporočamo cvrtje v sončničnem olju ali repičnem olju zaradi visoka temperatura gorenja. Oljčno olje ima lahko relativno nizko točko gorenja, kar lahko povzroči, da se sestavine primejo na ponev ali zažgejo. Zato ne priporočamo uporabe oljčnega olja. Nasvet: meso ali ribe pred cvrtjem segrejte na sobno temperaturo. To bo preprečilo lepljenje kahalne površine.
- Vedno uporabljajte silikonske in/ali lesene pripomočke, da se prevleka GreenGrill ne poškoduje. Nikoli ne uporabljajte kovinskih pripomočkov, saj lahko poškodujete premaz.

#### ČIŠČENJE

- Pustite, da se kahalna površina ohladi pred čiščenjem. Ekstremne temperaturne spremembe lahko povzročijo deformacijo kahalne površine.
- Prevleka GreenGrill je „Easy Clean“. Za čiščenje kahalnih površin s premazom GreenGrill zadostuje topla milna voda z mehko gobico. Izogibajte se čistilnim blazinicam ali jekleni volni.
- Če na kuhalni površini ostanejo delci hrane iz prejšnje uporabe, se lahko prilepijo na premaz, kar lahko povzroči rjave lise. Na teh mestih se lahko sestavine prilepijo na kahalno površino, ker premaz ni več dosegljiv. Pred uporabo se prepričajte, da so te madeže pravilno odstranjene.
- Za trdovratne madeže ali ostanke na ponvi za paello ali kuharsko posodo jih lahko poskusite čez noč namočiti v vročo milnico ali uporabite »metodo kisa«: v ponev nalijte plast kisa in ponev rahlo segrejte. Kisuni treba zavreti in zagotovo ne sme popolnoma izhlapati. Iz ponve vlijemo kis, ponev očistimo z milnico in ponev je kot nova. Opomba: segrevanje kisa lahko odda neprijeten vonj.
- CADAC | DOMETIC Soft Soak (na prodaj posebej) je idealen spremljevalni izdelek za lažje namakanje čez noč. Ko uporabljate Soft Soak, priporočamo, da kahalno površino postavite s sprednjo stranjo navzdol, kar omogoča maksimalno namakanje in porabi manj vode.
- Upoštevajte, da lahko v primeru uporabe Soft Soak 2 Cook obe rešetki namakate hkrati. V ta namen postavite eno stran za kuhanje navzgor, drugo pa navzdol, kot je prikazano na slikah.
- Morebitne trdovratne madeže, ki ostanejo po namakanju, lahko zrahljate in odstranite s krtačo CADAC | DOMETIC Soft Soak Brush (na prodaj posebej)
- Posušite z mehko krpo in končali ste!

#### VZDRŽEVANJE

- Priporočamo, da kahalno površino po čiščenju dodamo malo olja in jo namažemo s kuhinjskim papirjem. Olje ščiti površino pred zunanjim zrakom in vlago. Prav tako zagotavlja, da hrana ne zagori na površino.
- Kuhalno površino položite v plastično vrečko, preden jo položite v vrečko za shranjevanje, da boste zagotovili, da bo vrečka za shranjevanje ostala čista in brez olja.
- Vrečka za shranjevanje preprečuje poškodbe prevleke GreenGrill in vašega izdelka.



Namakanje s Soft Soak 2 Cook  
(Žari niso vključeni)



Soft Soak Brush

### Možnosti kuhanja

- To so razpoložljive možnosti kuhanja. (V primeru vetrovnih razmer uporabite vetrobranska stekla)

**Pečenje na žaru:** Ta možnost je idealna za pečenje piščanca, klobas, kotletov, kebabov, rib ali zelenjave na žaru brez olja. Za to vrsto kuhanja uporabite grill ploščo.

**Opozorilo:** Upoštevajte, da se pri kuhanju mastnega mesa lahko na aparat razprši nekaj maščobe, kar lahko povzroči plamen. Bodite previdni pri ravnanju s takšnim mesom. Z obračanjem mesa za nadzor toplote lahko enostavno prilagodite temperaturo kuhanja, da ustreza vašim zahtevam.

**Cvrtje:** ta možnost je idealna za pomfrt, ribe, zajtrk, palačinke, kozice, paello in zelenjavo. Za to vrsto kuhanja uporabite ploščat žar.

Upoštevajte, da je ponev plitva in je primerna samo za plitvo cvrtje. Enostavno čiščenje površine spodbuja minimalno uporabo maščobe za zdravo kuhanje.

**Vrenje:** Za to vrsto kuhanja postavite stojalo za lonec v njegove reže in se prepričajte, da je pravilno nameščeno. Postavite primeren lonec (premer najmanj 180 mm in ne več kot 250 mm). En liter vode bo zavrel v približno 6 minutah, odvisno od pogojev, velikosti uporabljene posode itd.

**Opomba:** Za majhne lonce ne poskušajte uporabljati loncev s plastičnimi ročaji, saj se lahko zelo segrejejo.

**Paella:** Ta možnost kuhanja je idealna za kuhanje paelle, rižote, testenin, tradicionalnih zajtrkov itd. Paella Pan 30 je izdelana iz visokakovostnega stisnjene aluminija, ki omogoča odlično porazdelitev in zadrževanje toplote.

**Kava:** ta možnost je idealna za pripravo vroče skodelice kave. Popoln za kadarkoli in kjerkoli.

## 6. Čiščenje

- Priporočljivo je, da se aparat čisti po vsaki uporabi. To bo podaljšalo življenjsko dobo aparata.
- Pustite, da se naprava ohladi, preden jo očistite.
- Za čiščenje zunanjih površin uporabite vlažno krpo, ožeto v raztopini milnice.
- Za čiščenje peči, le to preprosto obrišite z vlažno krpo. Po potrebi lahko uporabite malo detrgenta.
- Aparata NE potopiti v vodo, saj bo to povzročilo okvaro gorilnika.
- Plošča za žar je preplečena s trpežnim, trpežnim keramičnim premazom proti sprijemanju, ki je bil z velikim uspehom uporabljen v nekaterih najboljših posodah na svetu. Kljub temu vam lahko skrb zanj pomaga, da uživata v dodatnih letih zdravega in enostavnega kuhanja.
- Keramična prevleka proti sprijemanju je zelo trpežna, vendar se lahko zlahka poškoduje z uporabo kovinskih pripomočkov. Zato je priporočljivo, da pri kuhanju uporabljate samo plastično ali leseno posodo.
- Vedno pustite, da se žar/plošča ohladi, preden gapotopite v vodo.
- Prepričajte se, da voda ne pride na gorilnike ali pilotsko/svetilno območje. Pred uporabo aparat popolnoma obrišite do suhega.
- Ne uporabljajte abrazivnih čistil, saj lahko poškodujejo površine.
- Aparat očistite po vsaki uporabi. Po čiščenju ponovno obdelajte kahalno površino z rahlim obrišite oljem.
- Za čiščenje aparata ne uporabljajte visokotlačne parne opreme ali vodnega curka.
- Opomba: Za tdrovratne madeže lahko uporabite čistilo za pečice CADAC

## 7. Skladiščenje

- Vedno pustite, da se enota ohladi in jo očistite, preden jo shranite.
- Izključite dovod plina v napravo, odklopite in odstranite dovod plina iz aparata.
- Naprave nikoli ne shranjujte s priključenim dovodom plina, to ni varna praksa.
- Napravo in dovod plina hranite v dobro prezračenem prostoru, stran od vnetljivih materialov. Skladiščenje plinskih jeklenk naj bo po možnosti na prostem in NE v kleti.

## 8. Vzdrževanje in odpravljanje težav

### Vzdrževanje

- Če aparat redno čistite in vzdržujete, se bo življenjska doba aparata podaljšala in možnost težav se bo zmanjšala.
- Ta naprava ne potrebuje načrtovanega vzdrževanja.
- To napravo sme servisirati samo pooblaščen oseba.
- Redno preverjajte vašo plinsko cev in priključke, ali so znaki puščanja in vsakič, ko se plinska jeklenka pri vsaki uporabi ponovno napolni ali namesti na aparat.

### Odpravljanje težav

V primeru brizganja plamena ali zamašitve šobe:

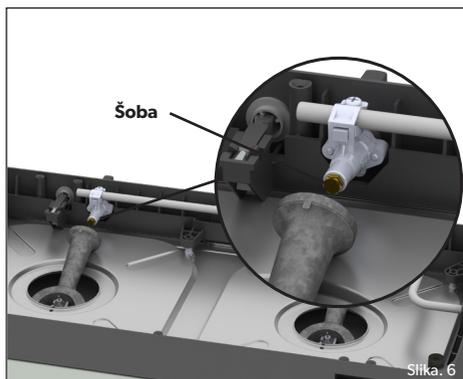
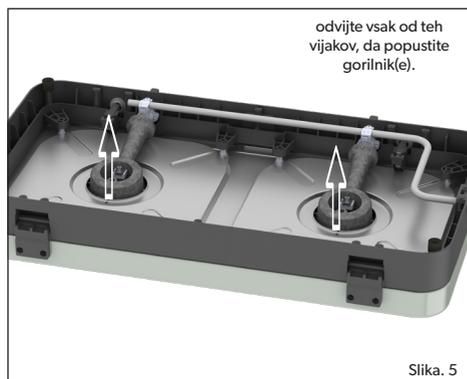
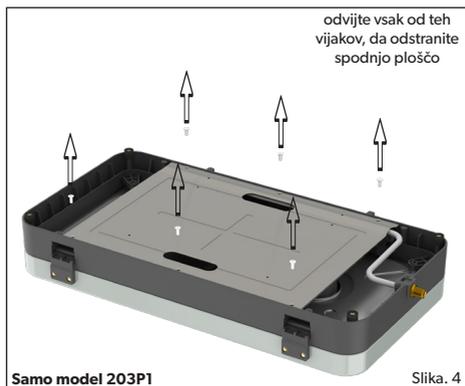
- Očistite odprtine gorilnika v primeru prevelikega razlitja.
- Priporočamo, da očistite ali zamenjate šobe vsakih šest (6) mesecev, da zagotovite nadaljnje učinkovito delovanje vaših naprav.
- Če naprava za shranjevanje ne deluje normalno in vsi pregledi niso odpravili težave, je morda blokirana. Za zamašeno šobo bi bil značilen šibkejši rumenkast plamen ali v skrajnih primerih brez plamena. V teh okoliščinah boste morali odstraniti in pregledati ter temeljito očistiti vse tujkje, ki so se morda nabrale v napravi.
- To lahko storite tako, da odstranite šobo s standardnim orodjem in izpihate morebitno umazanijo iz šobe, nove šobe lahko kupite v lokalni trgovini. Ne poskušajte mehansko očistiti šobe.

### Zamenjava zamašene šobe:

- Vaša naprava je opremljena s šobo določene velikosti za uravnavanje pravilne količine plina.
- Če se luknja v brizgalni šobi zamaši, lahko povzroči majhen plamen ali pa ga sploh ni. Ne poskušajte očistiti šobe za curke z zatičem ali drugo podobno napravo, saj lahko poškodujete odprtino, kar lahko povzroči nevarno delovanje naprave.
- **Za zamenjavo brizgalne šobe:** Odstranite vse kahalne površine, zaprite pokrov in obrnite aparat na glavo. Nežno odvijte spodnjo ploščo, tako da odstranite vijake (slika 4) (samo za modele 203P1). Odvijte vijak prizadetega(-ih) gorilnika(-ov) (slika 5), previdno popustite in spustite gorilnik, kot je prikazano, da razkrijete šobo za curke. Upoštevajte, da je gorilnik priključen na piezo kabel, po zamenjavi šobe za curke in ponovnem sestavljanju preverite, ali je ta kabel še vedno priključen. Sedaj je na ventilu vidna šoba za brizganje, odstranite šobo s primerim ključem (slika 6). Ne uporabljajte klešč za brizgalno šobo, saj lahko to poškoduje šobo za curek, zaradi česar je neuporabna ali nemogoče odstraniti. Privijte novo šobo v ventil. Ne zategnite preveč, ker lahko poškodujete šobo za curke.
- Obrnite zgornji postopek, da ponovno sestavite enoto.

### Zamenjava cevi:

- Nameštitev cevi je opisana v 2. Razdelku



## 9. Rezervni deli in dodatki

- Vedno uporabljajte originalne rezervne dele, saj so zasnovani tako, da zagotavljajo optimalno delovanje.

Rezervni deli		Dodatki			
Artikel	Rezervni deli št.	Artikel	Rezervni deli št.	Artikel	Rezervni deli št.
	202-SP004		202-SP011		203-100
	202-SP012		202-SP020		203-900
	203P-SP001		203P-SP002		8640
	203P-SP003		203P-SP005		203-200
	203P-SP008		203P-SP011		203-300
	203P-SP015		203P-SP018		98326
	HM6-073 (Šoba 0.73 28-30 mbar) HM6-069 (Šoba 0.69 37mbar) HM6-064 (Šoba 0.64 50mbar)		203P-SP012		
	203P-SP023				

## 10. Garancija

CADAC Europe BV jamči za prvotnega kupca tega plina aparata CADAC Europe BV za 2 leti, da bo brez napak v materialu in izdelavi od dneva nakupa, kot sledi:

Ventili:	2 leti
Plastični deli:	brez garancije
Tlačno litje	1 leto
Emajlirani deli:	2 leti
Gorilnik:	1 leto

Garancija bo veljala samo, če je enota sestavljena in deluje v skladu s tiskanimi navodili.

CADAC Europe BV lahko zahteva primerno dokazilo o datumu nakupa. Zato morate ohraniti svoj račun.

Garancija velja za popravilo ali zamenjavo delov. Pred korščenjem garancije mora CADAC Europe BV predstavnik potrditi okvaro pri normalni uporabi in upoštevanjem navodil. Pred vrnitvijo delov, se obrnite na predstavnika za podpore strankam v vaši regiji. Kontaktne podatke najdete v svojem priročniku ali pa pokličite.

V primeru da CADAC Europe BV potrdi napako in odobri zahtevek, bo CADAC Europe BV zamenjal poškodovane dele brezplačno in jih vrnil kupcu.

Ta omejena garancija ne zajema okvar ali težav poslovanja zaradi nesreče, zlorabe, nepravilne uporabe, vandalizem, nepravilne namestitve, neustreznega vzdrževanja ali neizpolnjevanje normalnega in rednega vzdrževanja, vključno z, vendar ne omejeno na škodo, ki jo povzročajo žuželke znotraj cevi gorilnika, kot je določeno v priročniku.

Poslabšanje ali škodo zaradi težkih vremenskih razmer, kot so toča, orkani, potresi in tornadi, razbarvanje zaradi izpostavljenosti kemikalijam bodisi neposredno ali v ozračju, se ne pokriva s to garancijo.

Za ta izdelek velja samo zgoraj opisana garancija. Nekatere regije ne dovoljujejo omejitev, kako dolgo traja vključena garancija.

CADAC Europe BV ni odgovorna za kakršno koli posebno, posredno ali posledično škodo. Nekatere regije ne dovoljujejo izključitve ali omejitev naključne ali posledične škode, vendar pa ta omejitev ali izključitev morda ne velja za vas.

CADAC Europe BV ne dovoljuje nobeni osebi ali podjetju, da prevzame kakršno koli obveznosti ali odgovornosti v zvezi s prodajo, montažo, uporabo, odstranjevanjem, zamenjavo ali zamenjavo njegove opreme.

Ta garancija velja samo za izdelke, ki se prodajajo v maloprodaji.

Če želite uživati in zagotoviti dolgo življenjsko dobo vašega izdelka, si oglejte navodila o čiščenju in vzdrževanju.

## Symbolien selitykset



Pakkausmateriaalit kierrättykseen. Sijoita pakkausmateriaali sopiviin kierrätysastioihin aina kun mahdollista.

Varmista riittävä ilmanvaihto. Tämä kaasulaite kuluttaa ilmaa (happea). Älä käytä tätä laitetta huonon ilmanvaihdon omaavassa tilassa, jotta et vaarantaisi henkeäsi. Jos tilaan lisätään enemmän kaasua käyttäviä kaasulaitteita ja/tai oleskelijoita, on tilaan järjestettävä lisätuuletus.

### TÄRKEÄÄ

Lue nämä käyttöohjeet huolellisesti, jotta tutustut laitteeseen ennen sen kytkemistä kaasusäiliöön.

Säilytä nämä ohjeet tulevaa käyttöä varten.

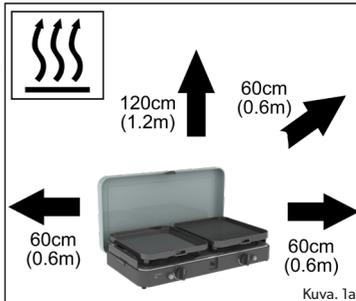
## 1. Turvallisuustieto

Nämä ohjeet ovat turvallisuutesi vuoksi ja auttavat välttämään loukkaantumis- ja/tai vaurioriskiä. Kaikki takuut raukeavat, jos näitä ohjeita ei noudateta.

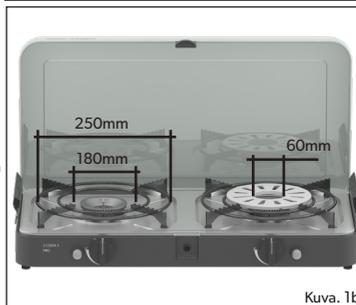
- Tämä laite on standardien EN484.
- Kaasulaitteet vaativat ilmanvaihdon toimiakseen tehokkaasti ja varmistaakseen käyttäjien ja muiden sivullisten turvallisuuden. Älä käytä laitetta tuulettamattomassa tilassa. Se on tarkoitettu vain ulkokäyttöön.
- Huoneessa, jossa tätä laitetta käytetään, tulee olla ikkuna tai ovi, joka voidaan avata tai osittain avata käytön aikana. Jos huoneessa ei ole ikkuna tai ovea ilmanvaihtoa varten, on turvallisuutesi vuoksi asennettava lisätuuletus.
- Varmista, että laitetta käytetään hyvin ilmastoidussa tilassa.
- VAROITUS: LAITE VOI OLLA ERITTÄIN KUUMA. PIDÄ ETÄ PIENISTÄ LAPSISTA.**
- Lue nämä käyttöohjeet huolellisesti ennen laitteen käyttöä.
- Vain ulkokäyttöön!

#### Kokoaminen ja käyttö

- Älä käytä laitetta, jos sen tiivisteet ovat vaurioituneet tai kuluneet.
- Älä käytä laitetta, joka vuotaa, vaurioitunut tai joka ei toimi kunnolla.
- Käsittele laitetta varovasti, älä tiputa sitä.
- Käytä laitetta aina vakaalla, tasaisella alustalla.
- Varmista, että koottu tuote on vakaa eikä keinu.
- Tämä laite ei sovellu asennettavaksi tai liitettäväksi verkkomaiseen kaasunsyöttöön.
- TVarmista, että laitetta käytetään etäällä syytyvistä materiaaleista. Pienimmät turvaetäisyydet ovat:
- Laitteen yläpuolella 1,2m. Takana ja sivuilla 0.6m (Kuva 1a).
- Käytettäessä kattilaa pienin suositeltu halkaisija on 180 mm ja suurin 250mm.
- Älä käytä keittotasoa tai kattilaa, joka on suositeltu kokoa suurempi. Keittopinname on suunniteltu erityisesti mahdollistamaan kaasun palaminen, ja tämän tilan sulkeminen voi vaikuttaa tämän laitteen toimintaan.
- Älä muuta tätä laitetta, sillä kaikki muutokset voivat olla vaarallisia. Älä käytä sitä mihinkään, mihin sitä ei ole suunniteltu.
- Älä liikuta laitetta käytön aikana.
- Älä koskaan jätä laitetta ilman valvontaa sen palaessa.
- Käytön aikana laitteen osat kuumenevat (erityisesti poltin). Vältä koskettamista kuumia osia paljain käsin. Käsideinen käyttö on suositeltavaa.
- Cihazı kullandığınız zaman pisirme yüzeylerinin/tencere sehpalarnın doğru yerleřtirildiğinden emin olun.**



Kuva. 1a



Kuva. 1b

#### Letku

- Letku ja tiiviste on tarkistettava kulumisen tai vaurioiden varalta ennen jokaista käyttöä ja ennen kuin liität sen kaasusäiliöön.
- Älä käytä laitetta, jos letku on vaurioitunut tai kulunut. Vaihda letku.
- Älä kierrä tai purista letkua.
- Letkun pituuden on oltava vähintään 0.8m ja enintään 1,2m. Tarkista letkun kunto ja valmistuspäivämäärä ja vaihda tarvittaessa tai kun kansalliset määräykset sitä vaativat tai siinä on hauraita kohtia tai halkeamia.

#### Kaasusäiliö

- Kaasu syötetään yksikköön letkun ja säätimen kautta. Letku ja säädin voidaan liittää kaasupullon tai Power Pakiin, joka on laite, joka kestää kaksi tai useampia kaasupatruunoita. Huomautus: Letkua, säädintä ja virtalähdettä ei toimiteta laitteen mukana.
- MUUN TYYPPIEN KAASUSYLINTEREIDEN TAI KAASUPATRUUNIEN (KÄYTETÄÄN POWER PAKIN KANSSA) ASENNUSRYITYS VOI OLLA VAARALLISTA.
- Tätä laitetta saa käyttää vain hyväksytyin letkun ja säätimen kanssa.
- Saa käyttää vain kaasupullon kanssa, jonka korkeus ei ylitä 500 mm (ilman säädintä) ja 400 mm leveä.
- Varmista, että kaasusäiliö asennetaan tai vaihdetaan hyvin ilmastoitun paikkaan, mieluiten ulkona, etäällä kaikista syytyväisistä, kuten avotulesta, lentäjistä, sähköpaloista ja kaukana muista ihmisistä.
- Pidä kaasusäiliöt poissa lämmöstä ja liekeistä. Älä aseta liesille tai muulle kuumalle pinnalle.
- Uudelleen täytettäviä säiliöitä saa käyttää vain pystyasennossa, jotta polttoaineen poisto voidaan varmistaa asianmukaisesti. Jos tätä ohjetta ei noudateta, kaasusäiliöstä voi vuotaa nestettä, mikä voi johtaa vaarallisiin käyttöolosuhteisiin.
- Älä yritä poistaa kaasusäiliötä laitteen ollessa käynnissä.
- Kaasusäiliö on irrotettava laitteesta käytön jälkeen tai varastoinnin aikana.

#### Kevyt selkä

- Jos liekki palaa takaisin ja syttyy polttimen tai venturikotelon sisällä, katkaise välittömästi kaasunsyöttö sulkemalla ensin kaasupullon ohjausventtiiliä ja sitten laitteen venttiiliä. Kun liekki on sammunut, irrota säädin ja tarkista tiivisteiden kunto; vaihda tiiviste, jos olet epävarma. Syytä laite uudelleen.
- Jos liekki syttyy jatkuvasti takaisin, palauta tuote valtuutetulle korjaamolle.

**Vuotoja**

- Jos laitteessasi on kaasuvuoto (kaasun haju), katkaise välittömästi kaasun syöttö kääntämällä säädintä myötöpäivään "OFF"-asentoon ja vie se liekkittömään paikkaan, jossa kaasuvuoto voidaan havaita ja pysähtyi. Jos haluat tarkistaa, onko laitteessasi kaasuvuotoja, tee se ulkona. Älä yritä havaita kaasuvuotoja liekillä; käytä saippuavettä.
- Jos et pysty korjaamaan kaasuvuotoa, älä käytä laitetta. Ota yhteyttä paikalliseen toimittajaan saadaksesi apua.

**Kuinka tarkistaa, että laite on liitetty kaasunsyöttöön kunnolla**

- On tärkeää, että kaikki kaasuliitännät on kytketty oikein kaasuvuotojen estämiseksi.
- Oikea tapa on sivellä saippuavedellä liitoskohta, eli kohta, jossa kaasusäiliö liittyy laitteeseen. Käännä laitteen säätönappia hieman vastapäivään kaasun kytkemiseksi päälle. Jos muodostuu kuplia, kyseessä on kaasuvuoto. Katkaise kaasu välittömästi ja irrota kaasunsyöttö laitteesta. Tarkista, että kaikki liitännät ovat kunnolla kiinni. Tarkista, että tiiviste on paikoillaan ja hyvässä kunnossa ennen kaasunsyötön liittämistä. Tarkasta uudelleen saippuavedellä kaasunsyötön asennuksen jälkeen.
- Jos kaasuvuoto jatkuu, palauta tuote paikalliselle jälleenmyyjälle tarkastusta/korjastusta varten.

<b>Käyttömaa</b>	BE, CH, CY, CZ, ES, FR, GB, GR, IE, IT, LT, LU, LV, PT, SK & SI		PL	BE, CY, DK, EE, FR, FI, HU, IT, LT, NL, NO, SE, SI, SK, RO, HR, TR, BG, IS, LU, MT, & ZA	AT, CH, DE & SK
<b>Laitteiden luokat</b>	I <sub>3+(28-30/37)</sub>		I <sub>3B/P (37)</sub>	I <sub>3B/P (30)</sub>	I <sub>3B/P (50)</sub>
<b>Sallitut kaasut</b>	Butaani-G30	Propani-G31	Butaani-G30, Propani-G31 tai niiden seos		
<b>Kaasunpaine</b>	28-30mbar	37mbar	37mbar	28-30mbar	50mbar
<b>Suuttimen numero</b>	0.73		0.69	0.73	0.64
<b>Nimellinen käyttö</b>	Butaani - 160 g/t per poltin (160 g/t x 2 = 320 g/t yhteensä)		Butaani - 160 g/t per poltin (160 g/t x 2 = 320 g/t yhteensä)	Butaani - 160 g/t per poltin (160 g/t x 2 = 320 g/t yhteensä)	Butaani - 160 g/t per poltin (160 g/t x 2 = 320 g/t yhteensä)
<b>Brutto nim. lämmön syöttö</b>	2,2 kW per poltin (2,2 kW x 2 = 4,4 kW yhteensä)		2,2 kW per poltin (2,2 kW x 2 = 4,4 kW yhteensä)	2,2 kW per poltin (2,2 kW x 2 = 4,4 kW yhteensä)	2,2 kW per poltin (2,2 kW x 2 = 4,4 kW yhteensä)

**Maan nimet ja lyhenteet**

AE = Yhd. Arabiemiraatit	AL = Albania	AT = Itävalta	BE = Belgia	CH = Sveitsi
CZ = Tšekki	DE = Saksa	DK = Tanska	ES = Espanja	FI = Suomi
FR = Ranska	GB = Iso-Britannia	GR = Kreikka	HR = Kroatia	IT = Italia
JP = Japani	KR = Korea	NL = Hollanti	NO = Norja	PL = Puola
PT = Portugali	RO = Romania	RU = Venäjä	RS = Serbia	SI = Slovenia
SK = Slovakia	SE = Ruotsi	TR = Turkki	ZA = Etelä-Afrikka	

**I 3B/P (30), I3+ (28-30/37) ja I 3B/P (37), laiteluokat: (DK, FI, NO, NL, SE, AT, DE, BE, ES, FR, IE, IT, PT, GB, CH)**

Työnä hyväksyttyä letkua ventiliin takakappaleeseen, kunnes se on kunnolla paikallaan. Kiinnitä toiseen päähän sopiva matalapainesäädin.

I3B/P(30) : 30 mbar:n butaanikokoonpanon säädin tai 30 mbar:n propanikokoonpanon säädin tai 30 mbar:n butaani/propaniseoksen säädin.

I3B/P(37) : 37 mbar:n butaanikokoonpanon säädin tai 37 mbar:n propanikonfiguraatioiden säädin tai 37 mbar:n butaani/propaniseoksen säädin.

I3+(28-30/37): 30 mbar butaanikokoonpanojen säädin tai 37 mbar propanikokoonpanojen säädin.

Varmista vielä kerran, että letku on kunnolla paikallaan. Käytettävän letkun tyyppi on oltava asiaankuuluvan EN-standardin ja paikannusvaatimuksen mukainen.

**I 3B/P (50) Laiteluokka: (AT, DE, CH, SK)**

I3B/P(50) : 50 mbar:n butaanikonfiguraatioiden säädin tai 50 mbar:n propanikokoonpanojen säädin tai 50 mbar:n butaani/propaniseoksen säädin.

Ruuvaa letku, jossa on oikeat kierrelliittimet molemmissa päissä, ventiliin vasempaan 1/4" BSP-kierteeseen. Kiinnitä sopiva 50 mbar matalapainesäädin letkun päähän. Käytettävän letkukokoonpanon on oltava standardin DIN 4815 osan 2 tai vastaavan mukainen.

## 2. Kaasunsyötön asennus ja vaihto

### Kaasunsyötön liittäminen

- Ennen kuin liität laitteen kaasunsyöttöön, varmista, että säätimen kumitiiviste on paikoillaan ja hyvässä kunnossa.
- Ennen kuin liität letkun ja säätimen laitteeseen, tarkista, että laitteen säätönappi on "OFF" asennossa.
- Suorita tämä tarkistus aina, kun asennat laitteen kaasupulloon.
- Puhalla kaikki pöly kaasunsyöttökauasta estääksesi suihkun mahdollisen tukkeutumisen.
- Kiinnitä hyväksytty letku ja säädin laitteeseen.
- Varmista, että kaasun syöttö (kaasupullo/kaasupatruuna) on asennettu hyvin ilmastoituun paikkaan, joka on kaukana kaikista sytytyslähteistä, kuten avotulesta, ja kaukana muista ihmisistä.
- Älä väännä tai purista letkua. Varmista, että se on ohjattu pois uunin rungosta, jotta estetään lämmön aiheuttama letkun huononeminen/vaurioituminen.
- Varmista, että kaasupullo on aina pystyasennossa, kytke kaasupullon ruuvaamalla käsin tiukalle, kunnes se on täysin kiinni.
- Varmista, että on tehty täydellinen kaasutiiviste (tarkista kaasun haju liitoksen ympäriltä). Älä tarkista vuotojen varalta avotulella. Käytä vain lämmintä saippuavettä, joka on levitetty laitteen liitoksiin ja liitäntöihin. Kaikki vuodot näkyvät kuplina vuotoalueen ympärillä.
- Jos et pysty korjaamaan kaasuvuotoa, älä käytä laitetta. Jos olet epävarma, ota yhteyttä lähimpään jälleenmyyjään.

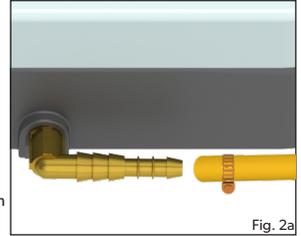
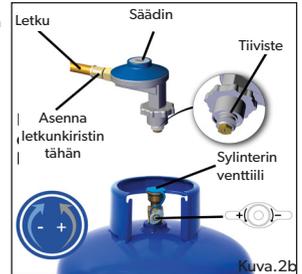


Fig. 2a

### Kaasunsyötön irrottaminen ja vaihtaminen

- Käännä käytön jälkeen laitteen säätönappi OFF-asentoon ja sulje kaasun syöttö.
- Kun vaihdat tyhjää pulloa, varmista, että kaasupullon venttiili on kiinni
- Älä tupakoi sylinterin vaihdon aikana.
- Irrota säädin tyhjästä sylinteristä.
- Kiinnitä säädin täyteen sylinteriin, katso yllä olevista ohjeista, kuinka kaasunsyöttö kytketään.
- Noudata samoja hoito- ja tarkastustoimenpiteitä kuin uutta kaasupulloa asentaessasi.



Kuva. 2b

### Kuinka tarkistaa, onko kaasupullo tyhjä

- Helpoin tapa tarkistaa, onko kaasua vähissä, on nostaa kaasupullo.
- Jos kaasupullosi tuntuu mielestäsi hieman kevyemmältä kuin haluaisit, pullon punnitseminen on loistava tapa nähdä, kuinka paljon kaasua on jäljellä. Useimmissa sylintereissä tyhjä paino on leimattu joko kaula- tai jalkarenkaseen, ja jos leimassa ilmoitettu paino ja sylinterin paino ovat samat, kaasu loppuu. Tämän jälkeen voit arvioida jäljellä olevan kaasun määrän painoeron perusteella.

## 3. Laitteen käyttö

- Kun käytät tätä laitetta, varmista, että kaikki osat ovat hyvässä kunnossa ja että olet tarkastanut kaasuvuodot ennen jokaista käyttöä ja sytytystä.
- Grillilevyt voidaan yksinkertaisesti asettaa ja ne ovat käyttövalmiita. Ei vaadi kokoonpanoa.
- **HUOMAUTUS:** Varmista, että kaikki suojapakkaukset ja muovi on poistettu laitteesta ennen käyttöä.
- Laite on suunniteltu käytettäväksi keittoastoiden kanssa, joiden halkaisija on vähintään 180 mm ja enintään 250 mm.

### Noudata näitä varotoimia ennen sytytystä.

- Käytä tätä laitetta vain vakaalla, tasaisella alustalla.
- Pitkäaikaisen varastoinnin jälkeen tarkasta yksikkö hyönteisten ja hämähäkinverkköjen varalta, jotka voivat vaikuttaa kaasun virtaukseen.

### Laitteen pietsoytytys

- On suositeltavaa poistaa kaikki keittopinnat, kun sytytät laitetta, jotta näet paremmin, kun poltint on päällä.
- Kytke laite päälle pietsoytyttimellä painamalla säätönappia sisään ja kääntämällä 90° vastapäivään ja painamalla sitten pietsopainiketta kaasun sytyttämiseksi (katso kuva 3). Jos kaasu ei syty ensimmäisestä kipinästä, käännä säätönappi asentoon "OFF" ja yritä uudelleen työntämällä säätönappia sisään ja kääntämällä sitä vastapäivään ja painamalla sitten pietsonappia kaasun sytyttämiseksi. Jos kaasu ei syty ensimmäisen kahden tai kolmen sekunnin aikana, sulje ohjausventtiili kääntämällä säätönappi takaisin "OFF"-asentoon.
- Odota noin 30 sekuntia, kunnes polttimeen mahdollisesti kertynyt kaasu on haihtunut. Tarvittaessa toista yllä oleva toimenpide, kunnes liekki syttyy. Liekin tulisi normaalisti sytyä kahden ensimmäisen sekunnin aikana.

### Sytytys grillinsytyttimellä

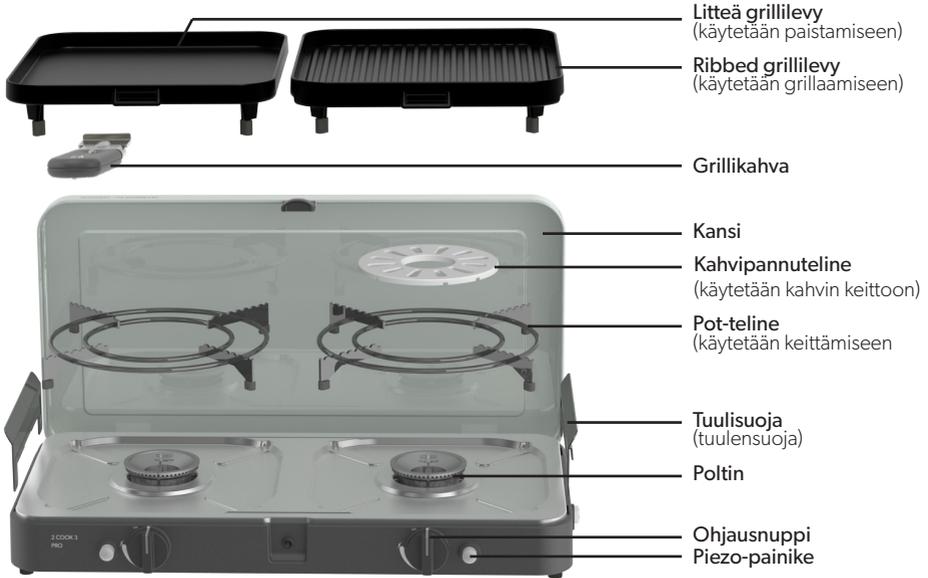
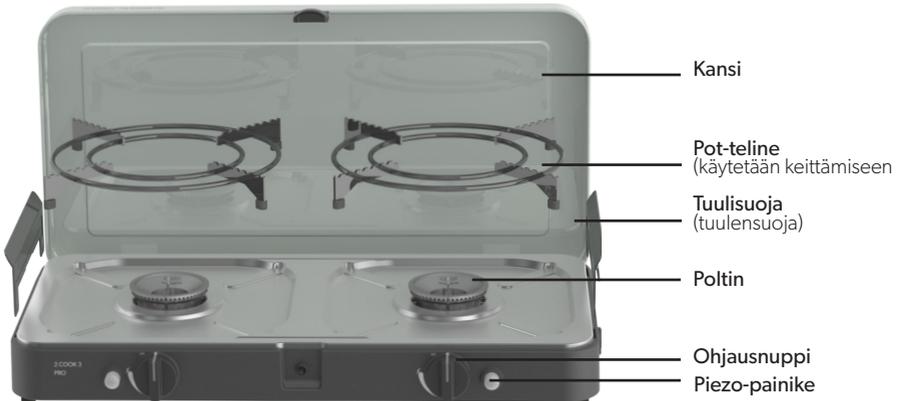
- Ylimäkännistystä varten laite voidaan sytyttää ylhäältä ennen halutun keittolevyn asentamista. Kun sytytät kuumaa laitetta, on suositeltavaa työntää grillin sytytin yhden polttimen alla olevista tuuletusaukoista, kunnes se on polttimen linjassa (ÄLÄ työntä sytytintä suoraan alla olevan suuren reiän läpi). Sytytä grillin sytytin. Kun grillin sytytin on päällä, paina ja käännä säätönappia vastapäivään polttimen sytyttämiseksi



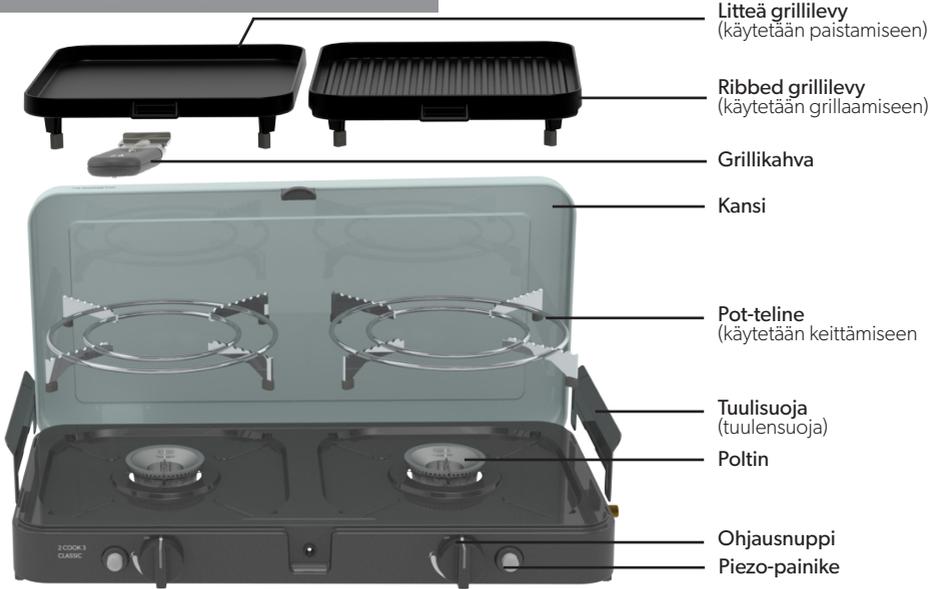
Kuva. 3

**Kenraali**

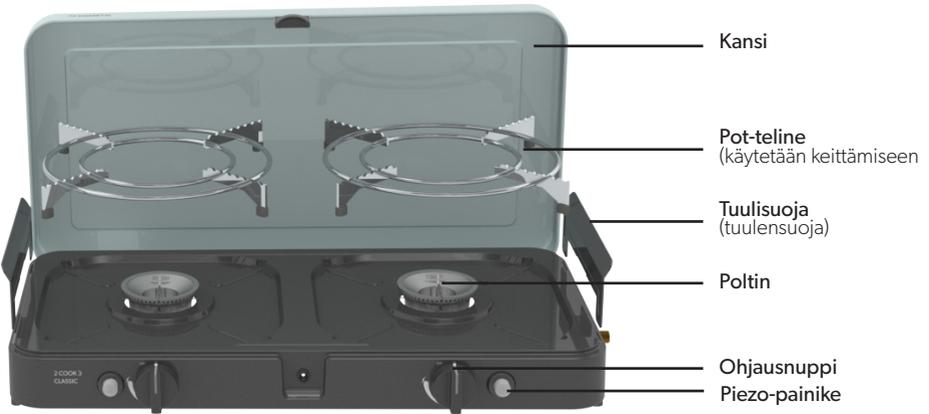
- Kun laite on sytytetty, liekin voimakkuutta voidaan säätää kääntämällä säätönuppia vastapäivään vähentääksesi liekkiä tai myötäpäivään lisätäksesi sitä.
- Runsaasti rasvaisia ruokia kypsennettäessä saattaa esiintyä leimahduksia, jos lämpötila on liian korkea. Jos näin tapahtuu, vähennä lämpöä, kunnes liekit sammuvat.
- Älä siirrä laitetta sen ollessa käytössä. Laitteen siirtäminen sen ollessa päällä on vaarallista ja voi aiheuttaa liekkejä.
- Sulje käytön jälkeen ensin sylinterin ohjausventtiili (jos varusteena). Kun liekki on sammunut, sulje laitteen säätöventtiili

**4. Komponenttiluettelo****Tuotekoodi: 203P1-20****Tuotekoodi: 203P1-10**

## Tuotekoodi: 203M1-20



## Tuotekoodi: 203M1-10



Seuraavat pinnat eivät sisälly toimitukseen ja myydään erikseen. Tarkista saatavuus paikalliselta myyjältä.



Soft Soak 2 Cook



Paella Pan 30  
(käytetään paellaan/  
paistamiseen)



Kahvipannuteline  
(Vakiovarusteena  
203P1-20 malli)



Ribbed grillilevy  
(grillikahvalla)



Litteä grillilevy  
(grillikahvalla)

## 5. GreenGrill-keittovaihtoehdot

### GreenGrill ruoanlaitto

Useimmissa keittopinnoissa on GreenGrill-pinnoite. Tämä keraaminen pinnoite on täysin PFOA-vapaa; se ei sisällä myrkyllisiä aineita ja takaa terveellisemmän ruoanlaiton!

#### VALMISTELU JA KÄYTTÖ

- Grillin "maustaminen": Ennen kuin käytät keittotasoa ensimmäistä kertaa, voit maustaa sen niin, että se muodostaa ohuen suojakerroksen keittotasolle estämään ruoan tarttumista. Se ei ole pakollista, mutta suosittelemme sitä. Se on erittäin helppoa: hiero kevyesti ruokaöljyä pintaan ja laita sitten keskilämmölle 2-3 minuutiksi. Poista, anna jäähtyä ja pese saippuavedellä. Voitele se kevyesti öljyllä (valitsemasi ruokaöljy, esim. auringonkukkaöljy) ennen käyttöä. Se on valmis lähtöön!
- Huomautus: GreenGrill-pinnoite johtaa lämpöä paremmin kuin tuotteet, joissa on tavallinen (PTFE) tarttumaton pinnoite. Siksi suosittelemme käyttämään vain 75 % tehosta, johon olet tottunut.
- Älä koskaan jätä keittotasoa lämmönlähteelle ilman öljyä. Levitä ohut kerros öljyä talouspaperilla tai siveltimellä ennen kuin asetat keittotason lämmönlähteelle. Varmista, että olet öljäinyt kaikki osat niin, että esimerkiksi BBQ-grillissä on myös kohotetut reunat.
- Suosittelemme paistamista auringonkukkaöljyssä tai rypsiöljyssä sen korkean palamis pisteen vuoksi. Oliiviöljyllä voi olla suhteellisen alhainen palamis piste, mikä voi saada ainekset tarttumaan pannuun tai palamaan. Siksi emme suosittele oliiviöljyn käyttöä. Vinkki: ota liha tai kala huoneenlämpöön ennen paistamista. Tämä estää tarttumisen keittotasoon.
- Käytä aina silikoni- ja/ tai puisia keittiövälineitä estääksesi GreenGrill-pinnoitteen vaurioitumisen. Älä koskaan käytä metalliökaluja, koska ne voivat vahingoittaa pinnoitetta.

#### PUHDISTUS

- Anna keittotason jäähtyä ennen puhdistamista. Äärimmäiset lämpötilan muutokset voivat aiheuttaa keittopinnan muodonmuutoksia.
- GreenGrill-pinnoite on "Easy Clean". Lämmin saippuavesi pehmeällä sienellä riittää puhdistamaan keittopinnan GreenGrill-pinnoitteella. Vältä hankaustyynyjä tai teräsvillaa.
- Jos keittotasolla on aiemmasta käytöstä jääneitä ruokahiukkasia, ne voivat tarttua pinnoitteeseen, mikä voi aiheuttaa ruskeita pilkkuja. Näissä paikoissa ainekset voivat tarttua keittotasolle, koska pinnoitetta ei enää tavoiteta. Varmista, että nämä täplät on poistettu kunnolla ennen käyttöä.
- Jos paellapannulla tai keittopannulla on pintyneitä tahroja tai jämiä, voit kokeilla liottaa niitä yön yli kuumassa saippuavedessä tai käyttää "etikamenetelmää": kaada kerros etikkaa pannulle ja kuumenna pannua hieman. Etikan ei tarvitse kiehua, eikä se saa haihtua kokonaan. Kaada etikka kattilasta, puhdista pannu saippuavedellä ja pannu on kuin uusi. Huomaa: Kuumennetusta etikasta voi tulla epämiellyttävä hajua.
- CADAC | DOMETIC Soft Soak (myydään erikseen) on ihanteellinen lisätuote yön yli liotukseen. Soft Soakia käytettäessä suosittelemme keittopinnan asettamista etupuoli alaspäin, mikä mahdollistaa maksimaalisen liotuksen ja kuluttaa myös vähemmän vettä.
- Huomaa, että jos käytät Soft Soak 2 Cookia, voit liottaa molemmat ritilät samanaikaisesti. Aseta näin yksi ritilä keittopuoli ylöspäin ja toinen alaspäin, kuten kuvista näkyy.
- Mahdolliset pintyneet tahrat, jotka jäävät jäljelle liotuksen jälkeen, voidaan irrottaa ja harjata pois käyttämällä CADAC | DOMETIC Soft Soak Brush -harjaa (myydään erikseen)
- Kuivaa pehmeällä liinalla ja olet valmis!

#### HUOLTO

- Suosittelemme lisäämään keittotasolle puhdistuksen jälkeen hieman öljyä ja levittämään sen talouspaperilla. Öljy tiivistää pinnan ulkoilmalta ja kosteudelta. Se myös varmistaa, että ruoka ei pala pintaan.
- Aseta keittotaso muovipussiin ennen kuin laitat sen säilytuspussiin, jotta säilytuspussi pysyy puhtaana ja öljyttömänä.
- Säilytuspussi estää GreenGrill-pinnoitteen ja tuotteen vahingoittumisen.



Liotus Soft Soak 2 Cookilla  
(Grillit eivät sisälly hintaan)



Soft Soak Brush

### Keittovaihtoehdot

- Nämä ovat käytettävissä olevia kypsennysvaihtoehtoja. (Käytä tuulilaseja tuulisissa olosuhteissa)

**Grillaus:** Tämä kypsennysvaihtoehto sopii erinomaisesti öljyttömään kanan, makkaran, kyljysten, kebabin, kalan tai vihannesten grillaamiseen Käytä grillilevyä tämänäyttypiseen ruoanlaittoon.

**Varoitus:** Huomaa, että kun kypsennät rasvaista lihaa, laitteeseen roiskuu rasvaa, mikä voi aiheuttaa leimahduksia. Ole varovainen käsitellessäsi tämänäyttypistä lihaa. Kypsennyslämpötiloja on helppo säätää omien tarpeidesi mukaan säätönuppia kääntämällä.

**Paistaminen:** Tämä vaihtoehto sopii ihanteellisesti paistamiseen, kalaan, aamiaiseen, pannukakkuihin, katkarapuihin, paellaan ja vihanneksiin Käytä tämänäyttypiseen ruoanlaittoon litteää grilliä. Huomaa, että koska se on matala pannu, se ei sovellu uppopaistamiseen. Helposti puhdistettava pinta kannattaa käyttää mahdollisimman vähän rasvaa terveelliseen ruoanlaittoon.

**Keittäminen:** Tällaista ruoanlaittoa varten aseta kattila paikannusuriinsa varmistaen, että se on kunnolla paikallaan. Aseta sopiva ruukku (halkaisija vähintään 180 mm ja enintään 250 mm). Yksi litra vettä kiehuu noin 6 minuutissa riippuen olosuhteista, käytetyn kattilan koosta jne.

**Huomautus:** Kun käytät pienikokoisia kattiloita, älä yritä käyttää kattiloita, joissa on muovikahvat, koska ne voivat kuumentua erittäin kuumaksi.

**Paella:** Tämä kypsennysvaihtoehto sopii erinomaisesti paellaan, risottojen, pastaruokien, perinteisten aamiaisten jne. valmistukseen.

Paella Pan 30 on valmistettu korkealaatuisesta puristetusta alumiinista, joka mahdollistaa erinomaisen lämmön jakautumisen ja säilytyksen.

**Kahvi:** Tämä vaihtoehto on ihanteellinen kuuman kahvin valmistamiseen. Ihanteellinen mihin tahansa aikaan, missä tahansa.

## 6. Puhdistusta

- On suositeltavaa puhdistaa laite jokaisen käytön jälkeen. Tämä pidentää laitteesi käyttöikää.
- Anna laitteen jäähtyä ennen kuin puhdistat sen.
- Puhdistusta ulkopinnat kostealla liinalla, joka on puristettu saippuaveteen.
- Puhdistusta kiukaan runko pyyhkimällä kostealla liinalla tarvittaessa hieman pesuainetta.
- ÄLÄ UPOTA Veteen, koska se päästää vettä polttimen putkeen ja aiheuttaa laitteen toimintahäiriön.
- Grillilevy on päälyllyetty lujalla, kestäväällä keraamisella tarttumattomalla pinnoitteella, jota on käytetty suurella menestyksellä eräissä parhaista keittoastioista maailmassa. Siitä huolimatta siitä huolehtiminen voi auttaa sinua nauttimaan ylimääräisistä vuosista terveellistä, helppoa ja tarttumattomaa ruoanlaittoa.
- Vaikka keraaminen tarttumaton pinnoite on erittäin kestävä, se voi helposti vaurioitua metallisten keittövälineiden käytön seurauksena. Se on näin ollen on suositeltavaa käyttää vain muovisia tai puisia astioita ruoanlaitossa.
- Anna grillin/tasaisen levyn aina jäähtyä ennen kuin upotat sen veteen.
- Varmista, ettei polttimille tai ohjaus-/valoalueelle pääse vettä. Pyyhi laite täysin kuivaksi ennen käyttöä.
- Älä käytä hankaavia puhdistusaineita, koska ne voivat vahingoittaa pintoja.
- Puhdistusta laite jokaisen käytön jälkeen. Kunnostele keittotaso puhdistuksen jälkeen kevyellä öljypyyhkeellä.
- Älä käytä korkeapainehöyrylaitteita tai vesisuihkua laitteen puhdistamiseen.
- Huomautus: Pinttyneiden tahrojen poistamiseen voidaan käyttää CADAC-uuninpuhdistusainetta.

## 7. Varastointi

- Anna laitteen aina jäähtyä ja puhdistaa se ennen varastointia.
- Katkaise laitteen kaasunsyöttö ja irrota kaasun syöttö laitteesta.
- Älä koskaan säilytä laitetta kaasunsyöttö kytkettynä, tämä ei ole turvallinen käytäntö.
- Säilytä laitetta ja kaasunsyöttöä hyvin ilmastoidussa tilassa erillään syttyvistä materiaaleista. Sylinderit tulisi mieluiten varastoida ulkona eikä sen pitäisi olla kellarissa.

## 8. Huolto ja vianetsintä

### Huolto

- Jos puhdistat ja huollat laitetta säännöllisesti, laitteesi käyttöikä pidentyy ja ongelmien mahdollisuus vähenee.
- Tämä laite ei vaadi määräaikaista huoltoa.
- Vain valtuutettu henkilö saa huoltaa tätä laitetta.
- Tarkista kaasuletku ja liitännät säännöllisesti vuotojen varalta ja aina, kun kaasupullo täytetään tai kiinnitetään laitteeseen jokaisen käyttökerran yhteydessä.

### Vianetsintä

Jos liekki roiskuu tai suutin tukkeutuu:

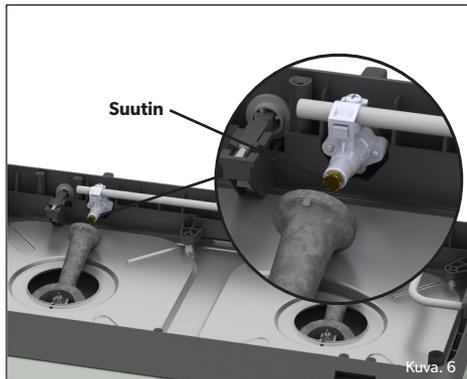
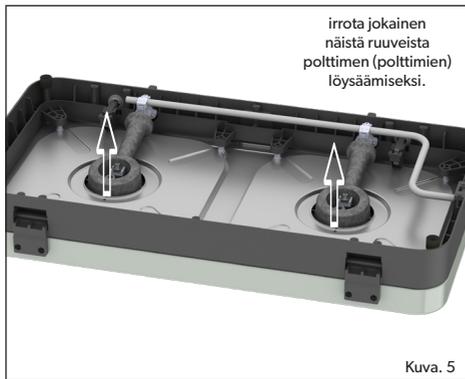
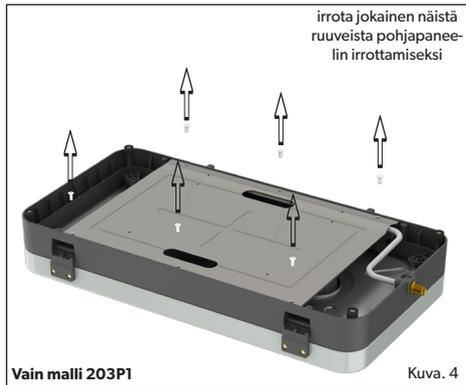
- Puhdistusta poltinaukot ylivuotojen varalta.
- Suosittelemme puhdistamaan tai vaihtamaan suuttimet kuuden (6) kuukauden välein laitteen tehokkaan toiminnan varmistamiseksi.
- Jos laite toimii epänormaalisti varastoinnin jälkeen ja kaikki tarkastukset eivät ole poistaneet ongelmaa, suutin voi olla tukossa. Äärimmäisissä tapauksissa tukkeutuneen suuttimen merkinä on heikompi kellertävä liekki tai ei ollenkaan. Näissä olosuhteissa on tarpeen poistaa ja tarkistaa ja puhdistaa perusteellisesti kaikki laitteeseen mahdollisesti kertyneet vierat esineet.
- Tämä voidaan tehdä irrottamalla suuttimet tavallisilla työkaluilla ja puhaltamalla suuttimesta lika, vaihtoehtoisesti voit ostaa uusia suuttimia paikallisesta liikkeestäsi. Älä yritä puhdistaa suutinta mekaanisesti.

### Tukkeutuneen suuttimen vaihtaminen:

- Laitteesi on varustettu tietyinkokoisella suuttimella oikean kaasumäärän säätämistä varten.
- Jos suuttimen reikä tukkeutuu, liekkiä voi olla vähän tai ei ollenkaan. Älä yritä puhdistaa suutinta neulalla tai muita vastaavia laitteita, koska se voi vahingoittaa aukkoa, mikä voi aiheuttaa vaaran.
- Suuttimen vaihto: Irrota kaikki keittopinnat, sulje kansi ja käännä laite ylösalaisin. Ruuvaa pohjapaneeli varovasti irti irrottamalla ruuvit (Kuva 4). Löysää vaurioituneen polttimen ruuvia (Kuva 5), löysää varovasti ja pudota poltin kuvan osoittamalla tavalla paljastaaksesi suutin. Huomaa, että poltin on kytketty pietsokaapeliin. Kun olet vaihtanut ja asentanut suuttimen, tarkista, että tämä kaapeli on edelleen kytketty. Suutin on nyt näkyvässä venttiilissä, irrota suutin sopivalla avaimella (kuva 6). Älä käytä pihtejä suuttimen irrotukseen, koska se voi vahingoittaa suutinta ja tehdä sen käyttökelvottomaksi tai mahdottomaksi poistaa. Ruuvaa uusi suutin venttiiliin. Älä kiristä liikaa, sillä se voi vahingoittaa suutinta.
- Kokoa laite päinvastaisessa järjestyksessä.

### Letkun vaihto:

- Letkun asennus on kuvattu luvussa 2



## 9. Varaosat ja tarvikkeet

- Käytä aina alkuperäisiä varaosia, koska ne on suunniteltu antamaan optimaalinen suorituskyky.

Varaosat		Varaosat		Lisätarvikkeet	
Tuote	Varaosat nro.	Tuote	Varaosat nro.	Tuote	Varaosat nro.
	202-SP004		202-SP011		203-100
	202-SP012		202-SP020		203-900
	203P-SP001		203P-SP002		8640
	203P-SP003		203P-SP005		203-200
	203P-SP008		203P-SP011		203-300
	203P-SP015		203P-SP018		98326
	HM6-073 (Suutin 0.73 28-30 mbar)		203P-SP012		
	HM6-069 (Suutin 0.69 37mbar)				
	HM6-064 (Suutin 0.64 50mbar)				
	203P-SP0023				

## 10. Takuu

CADAC Europe BV takaa täten tämän CADAC Europe BV-kaasulaitteen ALKUPERÄISELLE OSTAJALLE kahdeksi vuodeksi materiaali- ja valmistusvirheitä vastaan ostopäivästä lukien seuraavasti:

Venttiilit:	2 vuotta
Muoviosat:	Ei takuuta
Emaliosat:	2 vuotta
Painevalu:	1 vuotta
Polttimet:	1 vuosi

Takuu on voimassa vain, jos yksikkö on koottu ja sitä käytetään painettujen ohjeiden mukaisesti.

CADAC Europe BV saattaa vaatia kohtuullisia todisteita ostopäivästä. SIKSI OSTOKUIITTI TAI -TOSITE ON SÄILYTETTÄVÄ.

Tämä takuu rajoittuu sellaisten osien korjaamiseen tai vaihtamiseen, jotka osoittautuvat viallisiksi normaalissa käytössä sekä huollon ja tarkastuksen yhteydessä on osoitettu, että ne ovat viallisia. Ennen osien palauttamista, ota ensisijaisesti yhteyttä laitteen jälleenmyyjään tai toissijaisesti oppaassa mainittuun maahantuajaan. Jos CADAC Europe BV vahvistaa vian ja hyväksyy vaatimuksen, CADAC Europe BV korvaa tällaiset osat veloituksetta. CADAC Europe BV palauttaa ostajat ostajalle rahti tai postimaksu maksettuna.

Tämä rajoitettu takuu ei kata virheitä tai toimintavaikeuksia, jotka johtuvat onnettomuuksista, väärinkäytöstä, laitteen muuttamisesta, vandalismista, virheellisestä asennuksesta tai virheellisestä ylläpidosta tai huollosta tai tavanomaisen ja ylläpidon suorittamatta jättämisestä, mukaan lukien, mutta rajoittamatta vahinkoja, jotka aiheutuvat hyönteisistä poltinpukissa, kuten manittu tässä käyttöohjeessa. Rajoitettu takuu ei kata vaikeiden sääolojen, kuten rakeista, hurrikaanista, maanjäristyksistä tai tornadoista johtuvaa laitteen huonontumista tai vaurioita, joko suoraan tai ilmakehässä kemikaaleille altistumisesta.

Muita nimenomaisia takuita ei ole, paitsi tässä esitetyllä tavalla. Kaikki sovellettavat myytävyyttä ja kuntoa koskevat sisältyvät takuut ovat voimassa vain tämän nimenomaisen kirjallisen rajoitetun takuun voimassaoloajan. Jotkut alueet eivät salli takuun keston rajoittamista, joten tämä rajoitus ei välttämättä koske sinua.

CADAC Europe BV ei ole vastuussa mistään erityisistä, epäsuorista tai välillisistä vahingoista. Jotkut alueet eivät salli satunnaisten tai välillisten vaurioiden poissulkemista tai rajoittamista. Tämä rajoitus tai poissulkeminen ei välttämättä koske sinua.

CADAC Europe BV ei valtuuta ketään henkilöä tai yritystä ottamaan sille mitään velvoitteita tai vastuuta, joka liittyy laitteidensa myyntiin, asennukseen, käyttöön, käytöstä poistamiseen, palauttamiseen tai korvaamiseen; eivätkä sellaiset esitykset sido CADAC Europe BV:ä.

Tämä takuu koskee vain vähittäismyynnissä myytäviä tuotteita.

Nauti ja varmista tuotteesi pitkäikäisyys, kiinnitä erityistä huomiota käyttöoppaan puhdistus- ja huolto-osioon.

## Sembollerin Açıklaması



Ambalaj malzemelerinin geri dönüşümü. Ambalaj malzemesini mümkün olan her yerde uygun geri dönüşüm atık kutularına koyun.

Ortamın yeterince havalandırılmasını sağlayın. Bu gazlı cihaz ortamdaki havayı (oksijeni) tüketir. Hayati tehlike arz edebileceğinden dolayı bu cihazı havalandırılmayan bir ortamda kullanmayın. Alana daha fazla gazlı cihaz ve/veya gaz kullanan donanımlar eklenirse, ek havalandırma sağlanmalıdır.

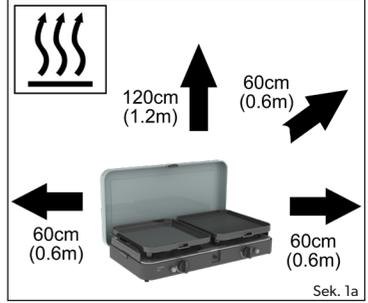
### ÖNEMLİ

Cihazı bir gaz tüpüne bağlamadan önce, cihazın kullanımına aşinalık kazanmak için bu talimatları dikkatlice okuyun. Bu talimatları ileride ihtiyacınız olduğunda başvurmak üzere muhafaza edin.

## 1. Güvenliğe ilişkin bilgiler

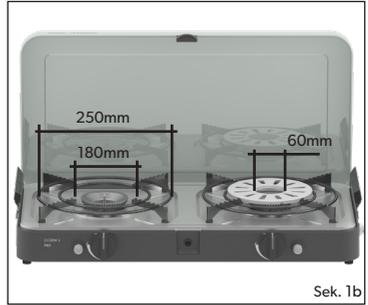
Bu talimatlar güvenliğinizi içindir ve yaralanma ve/veya maddi hasar riskinden kaçınmanıza yardımcı olur. Bu talimatlara uyulmaması durumunda, tüm garantiler geçersiz hale gelecektir.

- Bu cihaz, EN 484 normlarıyla uyumludur.
- Gazlı cihazlar, verimli performans için havalandırma gerektirir ve kullanıcıların ve yakınlardaki diğer kişilerin güvenliği için cihaz havalandırılmayan bir ortamda kullanılmamalıdır. Bu cihaz, yalnızca açık ortamda kullanılacak şekilde tasarlanmıştır.
- Bu cihazın kullanıldığı ortam, kullanım sırasında açılabilen veya kısmen açılabilen bir pencere veya kapıya sahip olmalıdır. Oda havalandırması için uygun pencere veya kapı yoksa güvenliğinizi için ekstra havalandırma sağlamalısınız.
- Cihazın kullanılacağı ortamın yeterince havalandığından emin olun.
- UYARI: ERIŞİLEBİLİR KISIMLAR ÇOK YÜKSEK SICAKLIKLARA ULAŞABİLMEKTEDİR. KÜÇÜK ÇOCUKLARI UZAK TUTUN.**
- Cihazı kullanmadan önce bu talimatları dikkatlice okuyun.
- YALNIZCA AÇIK HAVADA KULLANIM İÇİNDİR!**



### Montaj ve kullanım

- Contaları hasarlı veya aşınmışsa cihazı kullanmayın.
- Sızıntı yapan, hasarlı veya düzgün çalışmayan bir cihazı kullanmayın.
- Cihazı taşıırken dikkatli olun, cihazı düşürmeyin.
- Cihazı daima sağlam bir zemin üzerinde kullanın.
- Montajı tamamlanan cihazın sabit olduğundan ve sallanmadığından emin olun.
- Bu cihaz, şebekeli bir gaz kaynağına kurulum veya bağlantı için uygun değildir.
- Bu cihaz kullanım sırasında yanıcı maddelerden uzak tutulmalıdır. Minimum emniyet mesafesi: Cihazın üzerinde 1.2 metre Arkasında ve yanlarında 600 mm (Bkz. Sek. 1a).
- Bir tencere kullanılacaksa, tencere için önerilen minimum ebat 180 mm ve maksimum ebat 250 mm'dir.
- Önerilen boyuttan daha büyük herhangi bir pişirme yüzeyi veya tencere kullanmayın. Pişirme yüzeylerimiz, gazın yükselmesini sağlamak için özel olarak tasarlanmıştır ve bu alanın daha yakın olması cihazın performansını etkileyebilir.
- Cihaz üzerinde değişiklik yapmayın, herhangi bir değişiklik tehlikeli olabilir. Cihazı kullanım amacı dışında bir amaçla kullanmayın.
- Cihazı kullanım sırasında yerinden hareket ettirmeyin.
- Cihazı, yanarken asla gözetimsiz bırakmayın.
- Kullanım sırasında cihazın parçaları (özellikle brülör) ısınacaktır. Sıcak parçalara çıplak elle dokunmaktan kaçının. Eldiven kullanmanız tavsiye edilir.
- Tencere ayakları yerinde olmadan ve düzgün bir şekilde yerleştirilmeden cihazı kullanmayın.



### Hortum

- Hortumun gaz haznesine bağlamadan önce ve cihazı her kullanımdan önce, hortumda herhangi bir hasar veya yırtılma olup olmadığını kontrol edin.
- Hortum hasarlı veya aşınmışsa cihazı kullanmayın. Hortumu değiştirin.
- Hortumu sıkıştırmayın, ezmeyin veya kıvrımayın.
- Hortum uzunluğu 0,6 m'den az olmamalı ve 1,2 m'yi geçmemelidir. Hortum hasar gördüğünde veya kırılma veya çatlama ibareleri görüldüğünde değiştirilmelidir.

### Gaz Haznesi

- Cihaza bir hortum ve regülatör vasıtasıyla gaz verilir. Hortum ve regülatör, bir gaz şişesine veya iki veya daha fazla gaz kartuşu alan bir cihaz olan Power Pak'a bağlanabilir. Not: Hortum, regülatör ve Power Pak cihazla birlikte verilmemektedir.
- BAŞKA TÜRLERDE GAZ TÜPLERİ VEYA GAZ KARTUŞLARI (POWER PAK İLE BİRLİKTE KULLANILIR) TAKMAYA ÇALIŞMAK TEHLİKELİ OLABİLİR.**
- Bu cihaz yalnızca onaylanmış bir hortum ve regülatör ile kullanılmalıdır.
- Cihaz, yalnızca yüksekliği 500 mm'yi (regülatör hariç) ve genişliği 400 mm'yi geçmeyen bir gaz tüpü ile kullanılmalıdır.
- Gaz kabının iyi havalandırılan bir ortamda (tercihen açık havada), çıplak alev, pilot, elektrik ateşi gibi herhangi bir tutuşma kaynağından ve diğer insanlardan uzakta takıldığından veya değiştirildiğinden emin olun.
- Gaz haznesini ısıdan ve alevden uzak tutun. Gaz haznesini ocak veya başka bir sıcak yüzey üzerine koymayın.
- Yeniden doldurulabilir tüpler, yakıtın uygun şekilde çekilmesini sağlamak için yalnızca dik konumda kullanılmalıdır. Buna uyulmaması, gaz haznesinden sıvı boşalmasını neden olarak tehlikeli çalışma koşullarına neden olabilir.
- Gaz haznesini cihaz çalışması halindeyken çıkarmaya çalışmayın.
- Gaz haznesinin bağlantısının, kullanımdan sonra veya cihaz muhafaza edileceği yere yerleştirilmeden önce kesilmesi gerekmektedir.

### Alevin geri yanması

- Alevin geri gelmesi durumunda (alevin brülör veya ventürü muhafazası içinde tekrar yanması ve tutuşması durumunda), önce gaz silindiri üzerindeki kontrol vanasını ve ardından cihaz vanasını kapatarak, derhal gaz beslemesini kesin. Alev söndükten sonra regülatörü çıkarın ve contanın durumunu kontrol edin; tereddüdünüz varsa contayı değiştirin. Cihazı yeniden ateşleyin.
- Alev sürekli olarak geri yanarsa, ürünü yetkili onarım servisimize götürün.

**Kaçaklar**

- Cihazınızda gaz kaçağı (gaz kokusu) varsa, kontrol düğmesini saat yönünde "OFF" konuma çevirerek derhal gaz beslemesini kapatın ve donanımı gaz kaçağının tespit edilip durdurulabileceği alevsiz bir yere götürün. Cihazınızda gaz kaçağı olup olmadığını kontrol etmek istiyorsanız, bu kontrolü açık havada gerçekleştirin. Gaz sızıntısını bulmak için ateş kullanmayın; sabunlu su kullanın.

**Cihazın gaz kaynağına sağlam bir şekilde bağlı olup olmadığı nasıl kontrol edilir?**

- Herhangi bir gaz sızıntısını önlemek için tüm gaz bağlantılarının doğru şekilde gerçekleştirilmesi önemlidir.
- Doğru yöntem, bağlantı yerine yani gaz haznesinin cihaza bağlandığı yere sabunlu su uygulamaktır. Gazı açmak için cihazın kontrol düğmesini hafifçe saat yönünün tersine çevirin. Köpük oluşuyorsa, gaz kapağı var demektir. Bu durumda gazı hemen kapatın ve gaz beslemesini cihazdan ayırın. Tüm bağlantıların doğru bir şekilde gerçekleştirildiğini kontrol edin. Gaz beslemesini bağlamadan önce contanın yerinde ve sağlam durumda olduğunu kontrol edin. Gaz kaynağını yeniden taktıktan sonra sabunlu su ile yeni bir kontrol gerçekleştirin.
- Gaz sızıntısı devam ederse, incelemesi/onarımı için ürünü yerel satıcınıza götürün.

Kullanıldığı ülke	BE, CH, CY, CZ, ES, FR, GB, GR, IE, IT, LT, LU, LV, PT, SK & SI		PL	BE, CY, DK, EE, FR, FI, HU, IT, LT, NL, NO, SE, SI, SK, RO, HR, TR, BG, IS, LU, MT, & ZA	AT, CH, DE & SK
Cihaz kategorileri	I <sub>3+(28-30/37)</sub>		I <sub>3B/P (37)</sub>	I <sub>3B/P (30)</sub>	I <sub>3B/P (50)</sub>
İzin verilen gazlar	Bütan-G30	Propan-G31	Bütan-G30, Propan-G31 veya bunların karışımı		
Gaz basıncı	28-30mbar	37mbar	37mbar	28-30mbar	50mbar
Jet sayısı	0.73		0.69	0.73	0.64
Nominal kullanım	Bütan - 160 g/saat brülör başına (toplam 160g/sa x 2 = 320g/sa)		Bütan - 160 g/saat brülör başına (toplam 160g/sa x 2 = 320g/sa)	Bütan - 160 g/saat brülör başına (toplam 160g/sa x 2 = 320g/sa)	Bütan - 160 g/saat brülör başına (toplam 160g/sa x 2 = 320g/sa)
Isı girişi brüt kapasitesi	brülör başına 2.2kW (toplamda 2.2kW x 2 = 4.4kW)		brülör başına 2.2kW (toplamda 2.2kW x 2 = 4.4kW)	brülör başına 2.2kW (toplamda 2.2kW x 2 = 4.4kW)	brülör başına 2.2kW (toplamda 2.2kW x 2 = 4.4kW)

**Ülke Adları ve Kısaltmaları**

AE = Birleşik Arap Emirlikleri	AL = Arnavutluk	AT = Avusturya	BE = Belçika	CH = İsviçre
CZ = Çek Cumhuriyeti	DE = Almanya	DK = Danimarka	ES = İspanya	FI = Finlandiya
FR = Fransa	GB = Birleşik Krallık	GR = Yunanistan	HR = Hırvatistan	IT = İtalya
JP = Japonya	KR = Kore	NL = Hollanda	NO = Norveç	PL = Polonya
PT = Portekiz	RO = Romanya	RU = Rusya	RS = Sırbistan	SI = Slovenya
SK = Slovakya	SE = İsveç	TR = Türkiye	ZA = Güney Afrika	

**I 3B/P (30), I 3+ (28-30/37) ve I 3B/P (37), Uygulama kategorileri: (DK, FI, NO, NL, SE, AT, DE, BE, ES, FR, IE, IT, PT, GB, CH)**

Onaylanmış hortumu, yerine doğru şekilde oturana kadar valfin arka parçasına itin. Diğer uca uygun bir düşük basınç regülatörü takın.

I 3B/P(30): 30 mbar Bütan konfigürasyonlu regülatör veya 30 mbar Propan konfigürasyonlu regülatör.

I 3B/P(37): 37 mbar Bütan konfigürasyonlu regülatör veya 37 mbar Propan konfigürasyonlu regülatör.

I 3+(28-30/37): 30 mbar Bütan konfigürasyonlu regülatör veya 37 mbar Propan konfigürasyonlu regülatör.

Hortumun düzgün oturduğunu yeniden kontrol edin. Kullanılan hortum tipi, bulunulan bölgenin düzenlemelerine ve ilgili EN standartlarına uygun olmalıdır.

**I 3B/P (50) Cihaz kategorisi: (AT, DE, CH)**

I 3B/P(50): 50 mbar Bütan konfigürasyonlu regülatör veya 50 mbar Propan konfigürasyonlu regülatör veya 50 mbar bütan/propan miks konfigürasyonlu regülatör.

Valfin sol 1/4" BSP dişine her iki ucu doğru dışı bağlantıları ile donatılmış bir hortum vidalayın. Hortumun ucuna uygun bir 50 mbar düşük basınç regülatörü takın. Kullanılan hortum donanımı, DIN 4815 bölüm 2 veya eşdeğeri ile uyumlu olmalıdır.

## 2. Gaz beslemesinin takılması ve değiştirilmesi

### Gaz kaynağının bağlanması

- Cihazı bir gaz kaynağına bağlamadan önce regülatör üzerindeki lastik contanın yerinde ve sağlam durumda olduğundan emin olun.
- Hortumu ve regülatörü cihaza bağlamadan önce cihaz kontrol düğmesinin "OFF" konumunda olduğunu kontrol edin.
- Cihazı bir gaz kaynağına her bağladığınızda bu kontrolü gerçekleştirin.
- Olası bir meme tıkanıklığını önlemek için, gaz besleme deliğindeki tozu üfleyin.
- Cihazı onaylanmış bir hortum ve regülatör takın.
- Gaz beslemesinin (gaz tüpü/gaz kartuşu) açık alev gibi herhangi bir ateşleme kaynağından ve diğer insanlardan uzakta ve iyi havalandırılan bir ortama yerleştirildiğinden emin olun.
- Hortumu sıkıştırmayın, ezmeyin veya kıvrımayın. Hortumun ısı nedeniyle bozulmasını / hasar görmesini önlemek için ocak gövdesinden uzağa yönlendirildiğinden emin olun.
- Gaz tüpünün daima dik durduğundan emin olun; tüpü tam olarak yerine oturana kadar elinizle vidalayarak silindire bağlayın.
- Tam bir gaz sızdırmazlığını sağlandığından emin olun (bağlantı eklemi çevresinde gaz kokusu olup olmadığını kontrol edin). Kaçakları çıplak ateşle test etmeyin. Yalnızca ilk sabunlu su kullanın; sabunlu suyu cihazın contalarına ve bağlantılarına uygulayın. Herhangi bir sızıntı durumunda, sızıntı alanında kabarcıklar oluşacaktır.
- Gaz kaçağı sorunu gidirmeden, cihazı kullanmayın. Tereddüt etmeniz durumunda en yakın satıcıya başvurun.

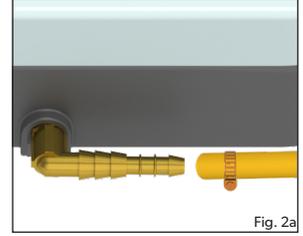
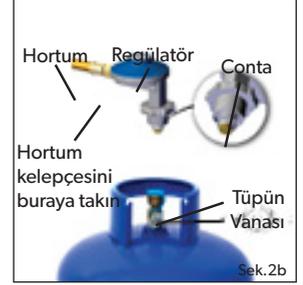


Fig. 2a



Sek.2b

### Gaz bağlantısının kesilmesi ve gaz kaynağının değiştirilmesi

- Kullandıktan sonra cihazın kontrol düğmesini "OFF" konumuna getirin ve gaz beslemesini kapatın.
- Boş tüpünüzü değiştirmeniz gerektiğinde tüp valfindeki gaz çıkışını kapalı olduğundan emin olun.
- Tüpü değiştirirken sigara kullanmayın.
- Regülatörü boş tüpten ayırın.
- Regülatörü dolu tüpe takın; yukarıdaki gaz kaynağının nasıl bağlanacağına ilişkin talimatlara bkz.
- Yeni bir gaz tüpü takıyormuş gibi, aynı özen ve kontrol prosedürlerini uygulayın.

### Gaz tüpünüzün boş olduğunu nasıl edersiniz?

- Gazınızın az olup olmadığını kontrol etmenin en kolay yolu gaz tüpünüzü kaldırmaktır.
- Gaz tüpünüzün biraz daha hafif olduğunu düşünüyorsanız, tüpü tartmak içinde ne kadar gaz kaldığını anlamamanı harika bir yoldur. Çoğu tüpün boyunu veya ayak halkası üzerinde boş ağırlık bilgisi damgası bulunur. Bu damga belirtilen ağırlık ile silindirinizi ağırlığı aynıysa, tüpünüz boşalmış demektir. Ağırlık farkından, tüp içinde kalan gaz miktarını aşağı yukarı olarak tahmin edebilirsiniz.

## 3. Cihazın kullanımı

- Bu cihazı çalıştırırken, lütfen tüm parçaların düzgün çalışır durumda olduğunu kontrol edin. Cihazın her kullanımında, cihazı ateşlemeden önce, herhangi bir gaz sızıntısı olup olmadığını kontrol ettiğinizden emin olun.
- Pişirme yüzeyleri kolayca yerleştirilebilir ve kullanıma hazır durumdadır. Montaj gerekmemektedir.
- **LÜTFEN UNUTMAYIN:** Kullanmadan önce tüm koruyucu ambalajların ve plastik elemanların cihazdan çıkarıldığınından emin olun.
- Cihaz, çapı 180 mm'den az ve 250 mm'den büyük olmayan pişirme kaplarıyla kullanılmak üzere tasarlanmıştır.

### Aydınlatmadan önce uyulması gereken önlemler.

- Bu cihazı daima sağlam bir zemin üzerinde kullanın.
- Cihazı uzun süre kullanmadığınızda, gaz akışını etkileyebilecek herhangi bir böcek veya örümcek ağları olup olmadığını kontrol edin.

### Cihazın Piezo kullanılarak ateşlenmesi

- Cihazın ateşlenmesi sırasında tüm pişirme yüzeylerinin çıkarılmış olması tavsiye edilir. Bu şekilde, brülör yandığında görmek kolay olacaktır.
- Cihazı Piezo ateşleyicili kullanılarak ateşlemek için, kontrol düğmesini itin ve saat yönünün tersine 90° çevirin, ardından gazı ateşlemek için piezo düğmesine basın (bkz. Şekil 3). Gaz ilk kıvılcımla tutuşmazsa, kontrol düğmesini "OFF" konumuna geri çevirin. Kontrol düğmesini itip saat yönünün tersine çevirerek ve gazı ateşlemek için piezo düğmesine basarak tekrar deneyin. Gaz ilk iki ila üç saniye içinde ateşlenmediyse, kontrol düğmesini tekrar "OFF" konumuna çevirerek kontrol vanasını kapatmalısınız.
- Brülörler biriken gazın dışarı çıkması için yaklaşık otuz saniye bekleyin. Yukarıdaki işlemi, gerekirse alev yanınca dek tekrar edin. Alev normalde ilk bir ila iki saniye içinde yanmalıdır.

### Cihazı bir mangal çakmağı kullanarak ateşlemek

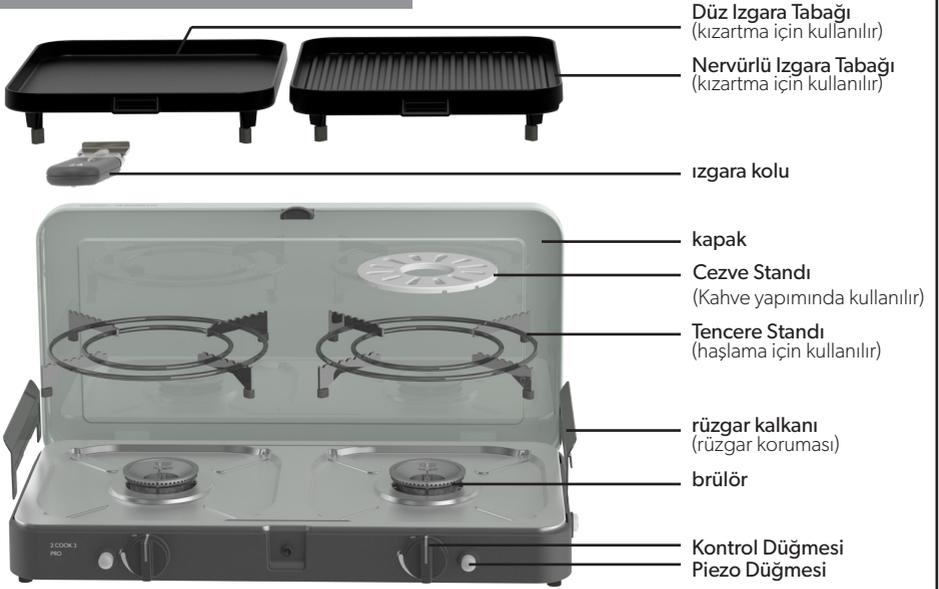
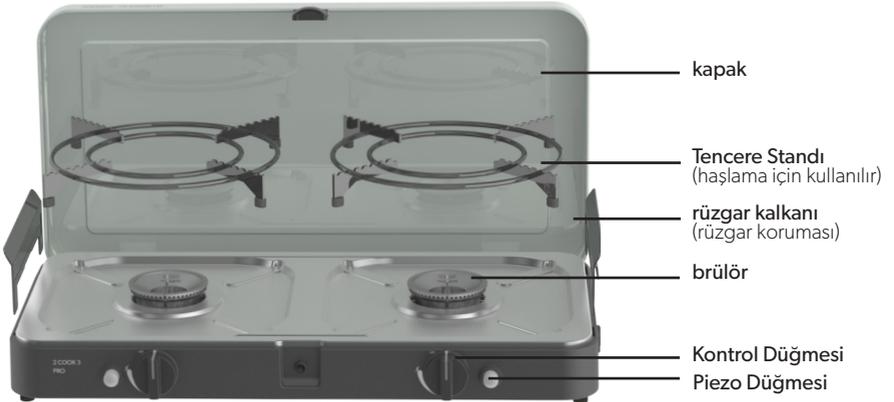
- Soğuk çalıştırmada, cihaz, istenen pişirme yüzeyi yerleştirilmeden önce üstten ateşlenebilir. Sıcak bir cihazı yakarken, bir mangal çakmağının brülör altındaki havalandırma deliklerinden birinden içeri doğru, brülörle aynı hizaya gelene kadar sokularak brülörün ateşlenmesi tavsiye edilir (Mangal çakmağını, brülör altındaki büyük delik içine SOKMAYIN). Mangal çakmağını ateşleyin. Mangal çakmağı yanarken, brülörü ateşlemek için kontrol düğmesine basın ve düğmeyi saat yönünün tersine çevirin.



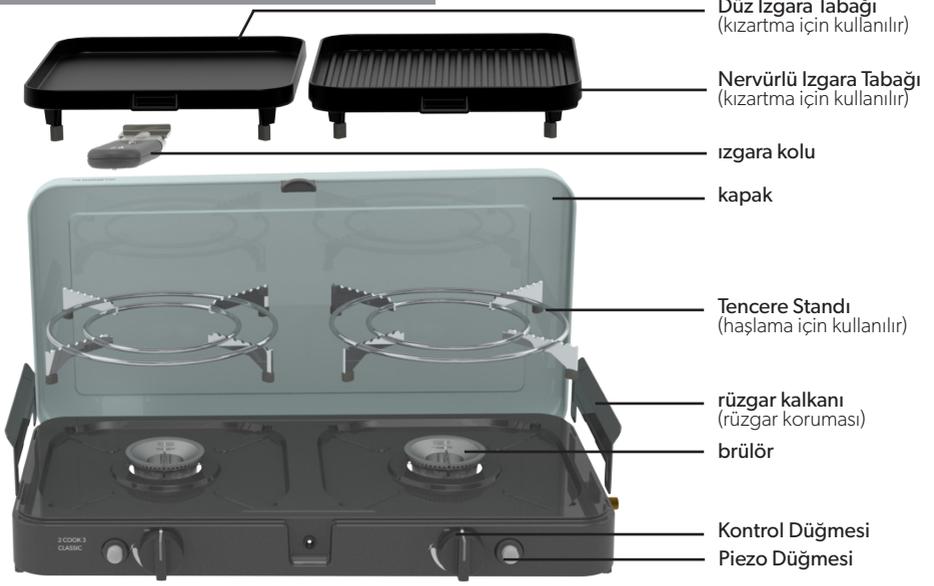
Sek. 3

**Genel bilgiler**

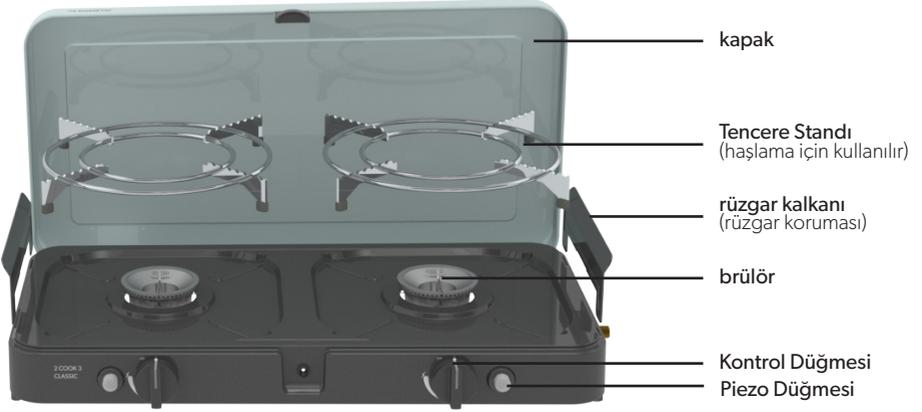
- Cihaz, alevi, kontrol butonu alevi büyütmek için saat için büyütmeye veya büyütmeye için saat yönünde yönlendirilerek yönlendirilir.
- Yüksek yağ içeriğine sahip yiyecekleri pişirirken, seçilen ısı ayarı çok yüksekse alevlenme meydana gelebilir. Bu olursa, alevlenme durana kadar ısıyı kısın.
- Kullanım sırasında cihazı hareket ettirmeyin. Cihazı yanarken hareket ettirmek güvenli değildir ve alev almasına neden olabilir.
- Kullandıktan sonra, önce gaz silindiri üzerindeki kontrol vanasını kapatın (varsa). Alev söndüğünde, cihaz üzerindeki kontrol vanasını kapatın.

**4. Bileşen listesi****Ürün Kodu: 203P1-20****Ürün Kodu: 203P1-10**

## Ürün Kodu: 203M1-20



## Ürün Kodu: 203M1-10



Aşağıdaki yüzeyler dahil değildir ve ayrıca satılır. Yerel stokunuzla kullanılabilirliği kontrol edin.



Soft Soak 2 Cook

Paella Pan 30  
(Paella/Kızartma için  
kullanılır)Cezve Standı  
(Standart ile  
203P1-20 modeli)Nervürlü Izgara  
Tabağı  
(ızgara saplı)Düz Izgara Tabağı  
(ızgara saplı)

## 5. GreenGrill Pişirme Seçenekleri

### GreenGrill ile Pişirme

Pişirme yüzeylerinin çoğu GreenGrill kaplamadır. Bu seramik kaplama tamamen PFOA içermez; toksik madde içermez ve daha sağlıklı pişirmeyi garanti eder!

#### HAZIRLIK VE KULLANIM

- "Seasoning": Pişirme yüzeyini ilk defa kullanmadan önce, yüzeyi, besinlerin yapışmasını engelleyen ince bir koruyucu tabaka ile kaplamak için "seasoning" işlemi yapabilirsiniz. Bu işlem zorunlu olmamakla birlikte tavsiye edilir. Son derece kolaydır: Kızartma yağını yüzeye hafifçe sürün ve ardından orta ateşte 2-3 dakika bekletin. Soğuyunca, pişirme yüzeyini kullanmadan önce sabunlu suyla yıkayın ve biraz sıvı yağla (seçtiğiniz yemeklik yağ, örneğin Ayçiçek yağı) hafifçe yağlayın. Kullanıma hazırdır!
- Not: GreenGrill kaplama, ısıyı normal (PTFE) yapışmaz kaplamalı ürünlerden daha iyi iletir. Bu nedenle alışık olduğunuz sıcaklık derecesinin yalnızca %75'ini kullanmanızı öneririz.
- Pişirme yüzeyini yağ olmadan asla ısı kaynağının üzerinde bırakmayın. Pişirme yüzeyini ısı kaynağının üzerine yerleştirmeden önce bir kâğıt mutfak havlusu veya fırça ile ince bir tabaka yağ sürün. Tüm parçaları yağladığınızdan emin olun; Barbekü ızgarası, yükseltilmiş kenarları da içerir.
- Yanma noktasına ulaşmaması nedeniyle besinleri Ayçiçek yağı veya kolza yağında kızartmanızı öneririz. Zeytinyağı nispeten düşük bir yanma noktasına sahiptir, bu nedenle malzemelerin tavaya yapışmasına veya yanmasına neden olabilir. Bu nedenle zeytinyağı kullanmanızı önermiyoruz. Püf noktası: Et veya balıkları kızartmadan önce oda sıcaklığına getirin. Böylece pişirme yüzeyine yapışmazlar.
- GreenGrill kaplamanın zarar görmemesi için daima silikon ve/veya ahşap mutfak gereçleri kullanın. Kaplamaya zarar verebileceğinden, asla metal mutfak araçları kullanmayın.

#### TEMİZLEME

- Temizlemeden önce pişirme yüzeyinin soğumasını bekleyin. Aşırı sıcaklık değişiklikleri pişirme yüzeyinin deformasyonuna neden olabilir.
- GreenGrill kaplama 'Easy Clean' (temizlemesi kolay) tasarımıdır. GreenGrill kaplamalı pişirme yüzeylerini temizlemek için yumuşak sünger ve ılık sabunlu su yeterlidir. Ovma pedlerinden veya mutfak telinden kaçının.
- Pişirme yüzeyinde önceki kullanımdan kalan yiyecek parçacıkları varsa, bunlar kaplamaya yapışabilir ve bu da kahverengi lekelerle neden olabilir. Bu yerlerde, kaplamaya artık ulaşamadığı için malzemeler pişirme yüzeyine yapışabilir. Kullanmadan önce bu lekelerin düzgün şekilde çıkarıldığınıdan emin olun.
- İnatçı lekeler veya kalıntılar için, sıcak sabunlu suda gece boyunca bekletmeyi deneyebilir veya paella tavası (paella pan) veya şef tavası (chef pan) için "sirkeleme yöntemini" kullanabilirsiniz: Tavanın dibini sirke ile kaplayın ve tavayı hafifçe ısıtın. Sirke kaynamamalı, bilhassa da buharlaşmamalıdır. Tavadaki sirkeyi dökün, tavayı sabunlu suyla yıkayın; tava yeni gibi olacaktır. Hatırlatma: Isınan sirkeden hoş olmayan bir koku yükselir.
- CADAC | DOMETIC Soft Soak (ayrı satılır), gece boyunca ıslatmayı kolaylaştırmak için ideal bir yardımcı üründür. Soft Soak kullanırken, maksimum ıslatma sağlayan ve ayrıca daha az su kullanan pişirme yüzeyini yüzü aşağı bakacak şekilde yerleştirmenizi öneririz.
- Soft Soak 2 Cook kullanılması durumunda, her iki ızgarayı da aynı anda ıslatabileceğinizi unutmayın. Bunu yapmak için, ızgaralardan birini resimlerde görüldüğü gibi pişirme tarafı yukarı ve diğeri aşağı bakacak şekilde yerleştirin.
- Suda beklettikten sonra kalan inatçı lekeler, CADAC | DOMETIC Soft Soak Brush (ayrı satılır) kullanılarak gevşetilebilir ve fırçalanabilir.
- Yumuşak bir bezle tavayı kurulaşın. İşte bu kadar!

#### BAKIM

- Temizledikten sonra pişirme yüzeyine kâğıt mutfak havlusu yardımıyla biraz yağ sürmenizi öneririz. Yağ, pişirme yüzeyini dış havanın olumsuz etkilerinden ve rutubetten korur. Ayrıca yiyeceklerin yanmamasını sağlar.
- Koruyucu kılıfın temiz ve yağsız kalmasını sağlamak için pişirme yüzeyini koruyucu kılıfa koymadan önce plastik bir torbaya koyun.
- Koruyucu kılıf, GreenGrill kaplamanın ve ürününüzün zarar görmesini engeller.



Soft Soak 2 Cook ile ıslatma  
(Izgara dahil değildir)



Soft Soak Brush

### Pişirme Seçenekleri

- Bunlar mevcut pişirme seçenekleridir.

**Izgara:** Bu pişirme seçeneği tavuk, sosis, pizozla, kebab, balık veya sebzelerin yağsız olarak ızgarası için idealdir. Bu pişirme tipi için, ızgara telini kullanın.

**Dikkat:** Yağlı etleri pişirirken, yağın ünite üzerine sıçraması ile alevlenme oluşabileceğini unutmayın. Bu tip etleri pişirirken lütfen dikkatli olun. Pişirme sıcaklıkları, ısı derecesini ayarlamak için kontrol düğmesi çevrilerek ihtiyaca göre kolayca ayarlanabilir.

**Kızartma:** Bu seçenek patates kızartması, balık, krep, karides, paella ve sebzeler için idealdir. Bu pişirme tipi için, düz ızgarayı kullanın. Sığ bir tava olduğu için yağ içinde kızartma için uygun olmadığını lütfen unutmayın. Kolay temizlenen yüzeyi, sağlıklı pişirme için minimum yağ kullanımını sağlar

**Kaynatma:** Bu pişirme tipi için, tencere standını yuvalarına yerleştirin ve tencerenin doğru bir şekilde yerleştiğinden emin olun. Uygun bir tencere seçin (çapı 180 mm'den az ve 250 mm'den fazla olmamalıdır). Koşullara, kullanılan tencerenin boyutuna vb. bağlı olarak bir litre su yaklaşık 6 dakikada kaynar.

**Not:** Küçük boyutlu tencerelerin plastik saplı olmamalarına özen gösterin; zira aşırı derecede ısınabilirler.

**Paella:** Bu pişirme seçeneği paella, risotto, makarna, geleneksel kahvaltılar vb. hazırlamak için idealdir. Paella Pan mükemmel ısı dağılımı ve muhafazası sağlayan yüksek kaliteli preslenmiş alüminyumdan imal edilmiştir.

**Kahve:** Bu seçenek, bir fincan sıcak kahve yapmak için idealdir. Her zaman, her yerde ideal.

## 6. Temizleme

- Cihazınızı her kullanımdan sonra temizlemeniz önerilir. Böylece cihazınızın kullanım ömrü uzar.
- Cihazı temizlemeden önce soğumasını bekleyin.
- Dış yüzeyi temizlemek için sabunlu suyla ıslatılmış nemli bir bez kullanın.
- Ocak gövdesini temizlemek için gerekirse biraz deterjan kullanarak nemli bir bezle silin.
- Ocak gövdesini SU İÇİNE BATIRMAYIN; zira brülör içine su girebilir ve bu da cihazın arızalanmasına neden olabilir.
- Izgara plakası, dünyanın en iyi pişirme kaplarından bazılarında büyük başarı ile kullanılmış olan sağlam, dayanıklı, seramik yapışmaz bir kaplama ile kaplanmıştır. Ancak, özenli bir kullanım, sağlıklı, yapışmaz ve kolay temizlenen bu yüzeyin daha uzun yıllar kullanılmasına yardımcı olacaktır.
- Yapışmaz seramik kaplama çok dayanıklı olmakla birlikte, metal pişirme aletlerinin kullanımını durduruma kolayca zarar görebilir. Bu nedenle, pişirme sırasında sadece plastik veya tahta pişirme araçlarının kullanılması tavsiye edilir.
- Izgara telini/plakasını suya daldırmadan önce plakanın soğumasını bekleyin.
- Brülörün veya pilotun/çakmak alanının üzerine su gelmediğinden emin olun. Kullanmadan önce cihazı tamamen kuruyun.
- Yüzeyle zarar verebileceğinden aşındırıcı temizleyici maddeler kullanmayın.
- Cihazı her kullanımdan sonra temizleyin. Temizledikten sonra pişirme yüzeyini hafifçe yağlanmış bir bezle silin.
- Cihazı temizlemek için yüksek basınçlı buharlı donanım veya su jeti kullanmayın.
- Hatırlatma: İnatçı lekeler için fırın temizleyici kullanılabilir.

## 7. Saklama koşulları

- Cihazı muhafaza etmek üzere yerine kaldırmadan önce, daima soğumasını bekleyin ve temizleyin.
- Cihazı giden gaz beslemesini kapatın, gaz bağlantısını kesin ve gaz beslemesini cihazdan ayırın.
- Bir cihazı gaz bağlantısını kesmeden asla muhafaza etmeyin; tehlike arz eder.
- Cihazı ve gaz beslemesini iyi havalandırılan ve yarıcı maddelerden uzakta bir ortamda saklayın. Tüplerin depolanması tercihen açık havada olmalıdır, tüpleri asla evinizin bodrumunda MUHAFAZA ETMEYİN.

## 8. Bakım ve sorun çözme

### **Bakım**

- Cihazınızı düzenli olarak temizler ve bakımını düzenli olarak yaparsanız, daha uzun ömürlü olmasını sağlarsınız ve sorun yaşama ihtimaliniz azalır.
- Sürekli verimli çalışmasını sağlamak için cihazınızın servisinin her on iki (12) ayda bir servis temsilcisi tarafından yapılmasını öneririz.
- Bu cihazın onarımı yalnızca yetkili kişiler tarafından gerçekleştirilmelidir.
- Gaz hortumunuzu ve bağlantılarınızı herhangi bir gaz kaçağı belirtisini tespit amacıyla düzenli olarak ve gaz tüpü her yeniden doldurulduğunda veya her cihazı takıldığında kontrol edin.

### **Sorun çözme**

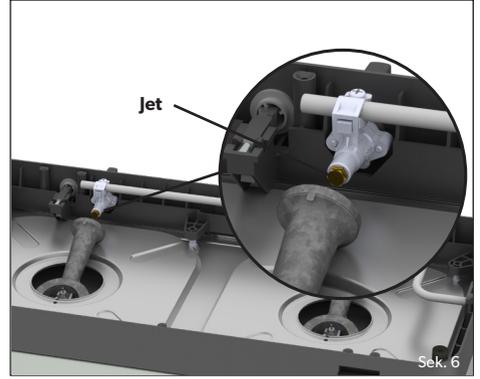
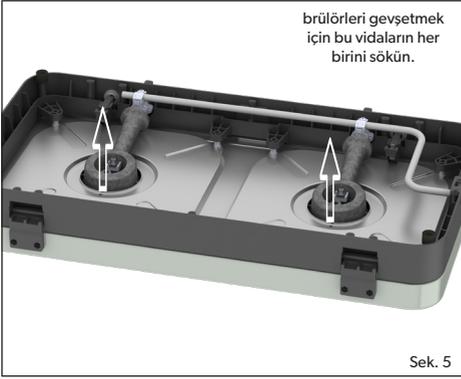
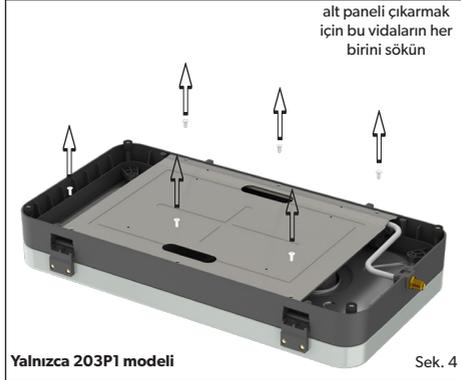
- Sıçrayan alev veya meme tıkanması durumunda:
  - Alev sıçraması durumunda brülör memelerini temizleyin.
  - Cihazınızın daima verimli çalışmasını sağlamak için memeleri altı (6) ayda bir temizlemenizi veya değiştirmenizi öneririz.
- Cihaz, uzun süre muhafaza edildikten sonra kullanımı durumunda, işleyiş bozukluğu arz ediyorsa, memeleri tıkanmış olabilir. Memenin tıkanmış olduğunu, sarıya çalan bir alev renginden veya aşırı tıkanma durumunda brülörün hiç alev çıkmamasından anlayabilirsiniz. Bu durumda, cihazda birikmiş olabilecek yabancı maddelerin çıkarılması, cihazın iyice temizlenmesi ve kontrol edilmesi gerekecektir.
- Memeyi standart aletler kullanarak yuvasından çıkararak ve içindeki kiri üfleterek tahliye ederek temizleyebilir, alternatif olarak yerel mağazanızdan yeni meme satın alabilirsiniz. Memeyi mekanik yollarla temizlemeye çalışmayın.

### **Tıkanmış memenin değiştirilmesi:**

- Cihazınız, doğru gaz miktarını ayarlamak için özel boyutta bir meme ile donatılmıştır.
- Gaz püskürtme deliği tıkanırsa, bu durum küçük bir alev veya hiç alev olmamasına neden olabilir. Deliğe zarar verebileceği ve cihazı güvensiz hale getirebileceği için memeyi iğne veya benzeri bir cihazla temizlemeye çalışmayın.
- **Memeyi değiştirmek için:** Destek ayağının tüm parçalarını ve pişirme yüzeylerini çıkarın, destek ayağını yan çevirin. Şekil 4'de gösterildiği gibi vidaları yavaşça sökün. Valf ve kontrol düğmesi tertibatını Şekil 5'de gösterildiği gibi çıkarın, böylece memeye erişebilirsiniz. Meme artık valf üzerinde görülebilir, memeyi uygun bir anahtar kullanarak çıkarın (Şek. 6). Meme üzerinde pense kullanmayın, aksi takdirde meme zarar görebilir, bu da memeyi kullanılamaz veya çıkarılmasını imkânsız hale getirebilir. Yeni memeyi valfe takın. Memeyi aşırı sıkımayın, bu memeye zarar verebilir.
- Üniteyi yeniden monte etmek için yukarıdaki prosedürü tersinden uygulayın.

### **Hortumun değiştirilmesi:**

- Hortumun montajı Bölüm 2'de açıklanmıştır.



## 9. Yedek parçalar ve aksesuarlar

- Her zaman en iyi performansı verecek şekilde tasarlanmış orijinal yedek parçalar kullanın.

Yedek parçalar		Aksesuarlar			
Öge	Yedek Parça No.	Öge	Yedek Parça No.		
	202-SP004		202-SP011		203-100
	202-SP012		202-SP020		203-900
	203P-SP001		203P-SP002		8640
	203P-SP003		203P-SP005		203-200
	203P-SP008		203P-SP011		203-300
	203P-SP015		203P-SP018		98326
	HM6-073 (Jet 0.73 28-30 mbar) HM6-069 (Jet 0.69 37mbar) HM6-064 (Jet 0.64 50mbar)		203P-SP012		
	203P-SP023				

## 10. Garanti

CADAC Europe BV, işbu belgeyle, İLK ALICI'ya, bu cihazın satın alma tarihinden itibaren malzeme ve işçilik açısından kusursuz olacağını 2 yıl garanti eder:

Vanalar:	2 Yıl
Plastik parçalar:	Garanti Yok
Emaye parçalar:	2 Yıl
Döküm:	1 Yıl
Brülörler:	1 Yıl

Garanti, yalnızca ünite yazılı talimatlara uygun olarak monte edilir ve çalıştırılırsa geçerli olacaktır.

CADAC Europe BV, satın alma tarihinize ilişkin makul bir kanıt belgesi talep edebilir. BU NEDENLE SATIN ALMA FİŞİNİZİ VEYA FATURANIZI SAKLAYIN.

Bu Sınırlı Garanti, normal kullanım ve bakım koşullarında, kusurlu olduğu kanıtlanan ve inceleme neticesinde CADAC Europe BV'ı tatmin edecek şekilde kusurlu oldukları ispatlanan parçaların onarılması veya değiştirilmesiyle sınırlı olacaktır. Herhangi bir parçayı iade etmeden önce, kılavuzunuzla birlikte teslim edilen iletişim bilgilerini kullanarak bölgenizdeki müşteri hizmetleri temsilcisiyle iletişime geçin. CADAC Europe BV kusuru onaylar ve talebi onaylarsa, bu tür parçaları ücretsiz olarak değiştirecektir. CADAC Europe BV, parçaları alıcıya navlun veya posta ücreti önceden ödenmiş olarak iade edecektir.

Bu Sınırlı Garanti, kaza, kötüye kullanım, yanlış kullanım, ürün üzerinde değişiklik, yanlış uygulama, vandalizm, yanlış kurulum veya uygunsuz bakım veya onarım veya normal ve rutin bakımın yapılmamasından kaynaklanan arızaları veya çalışma zorluklarını, ayrıca brülör kanalları içinde böceklerin neden olabileceği sorunları kapsamaz. Dolu, kasırga, deprem veya hortum gibi şiddetli hava koşullarından kaynaklanan bozulma veya hasar, doğrudan veya atmosferdeki kimyasallara maruz kalma nedeniyle renk bozulması bu Sınırlı Garanti kapsamında değildir.

Burada belirtilenler dışında başka hiçbir açık garanti yoktur ve satılabilirlik ve uygunlukla ilgili geçerli tüm zımni garantiler, süre bakımından bu açıkça belirtilen Sınırlı Garanti'nin kapsamı ile sınırlıdır. Bazı bölgeler, zımni bir garantinin süresine dair bir sınırlamaya izin vermez, bu nedenle bu sınırlama sizin için geçerli olmayabilir.

CADAC Europe BV herhangi bir özel, dolaylı veya müteakip zarardan sorumlu değildir. Bazı bölgeler arızı veya müteakip hasarların hariç tutulmasına veya sınırlandırılmasına izin vermemektedir, bu sınırlama veya hariç tutma sizin için geçerli olmayabilir. CADAC Europe BV, donanımın satışı, kurulumu, kullanımı, sökülmesi, iade edilmesi veya değiştirilmesi ile bağlantılı olarak herhangi bir kişi veya şirkete herhangi bir yükümlülük veya yükümlülük üstlenme yetkisi vermez ve bu tür temsilcilikler CADAC Europe BV açısından bağlayıcı değildir.

Bu Garanti yalnızca perakende olarak satılan ürünler için geçerlidir.

**CADAC SOUTH AFRICA**

P.O. Box 43196,  
 Industria, 2042 South Africa  
 Tel: +27 11 470 6600  
 Email: info@cadac.co.za  
 www.cadacsa.co.za

**CADAC UK**

14 Deanfield Court,  
 Link59 Business Park,  
 Clitheroe, Lancashire,  
 BB7 1QS  
 United Kingdom.  
 Tel: +44 (0) 333 2000363  
 E-mail: info@cadacuk.com  
 www.cadacinternational.com

**CADAC MOZAMBIQUE**

Exclusive Brands Africa  
 492 Avenida Namaacha  
 Maputo, Mozambique  
 Tel: +258 21 406254  
 www.cadac.co.mz

**CADAC IRAN**

Robin Bazargan Carin Co.  
 Unit D, 6th Floor, Negin Zafar  
 Building, No.1327,  
 Shariati Street, Tehran, Iran  
 Tel: +98 21 276 00 781  
 Mail: info@cadac.ir

**CADAC CHINA**

Room 807, Huayue International  
 Building, No.255 Tiangao Road,  
 South  
 Yinzhou business district,  
 Ningbo, China  
 Tel: +86 574 87723937  
 Email: info@cadac.com.cn

**CADAC SWEDEN & NORWAY**

KAMA FRITID AB  
 0046 36 353700  
 info@kamafritid.se

**CADAC EUROPE**

Ratio 26, 6921 RW Duiven  
 The Netherlands  
 Tel: +31 26 319 7740  
 Email: info@cadaceurope.com  
 www.cadacinternational.com

**CADAC SCANDINAVIA**

Millarco International A/S  
 Rokhøj 26  
 8520 Lystrup, Denmark  
 Phone: +45 87 43 42 00  
 millarco@millarco.dk  
 www.millarco.com

**CADAC MONTENEGRO**

City kvart Z1L6  
 81000 Podgorica, Montenegro  
 Tel 38220671446, 38269020063  
 E-mail: coca@t-com.me

**CADAC DENMARK**

Camper Fritid  
 Industrivej 11  
 6640 Lunderskov, Denmark  
 Tel.: +45 7558 5255  
 Email: info@camper.dk  
 www.camper.dk

**CADAC ZIMBABWE**

Exclusive Brands Africa  
 Unit 8 Birkenhead Park  
 43 Josiah Chinamano Street  
 Belmont, Bulawayo  
 Tel: +263 971 740 (Bul)  
 Tel: +263 479 2564 (Har)  
 www.cadac.co.zw

**CADAC GERMANY**

Ratio 26, 6921 RW Duiven  
 The Netherlands  
 Tel: +31 26 319 7740  
 Email: info@cadaceurope.com  
 www.cadacinternational.com

**CADAC Czech Rep.**

RÖSLER Praha spol. s r.o.  
 K Horkám 19/21  
 102 00 Praha 10 Česká republika  
 Tel: +420 267 188 011  
 Email: info@rosler.cz  
 www.rosler.cz

**CADAC FINLAND**

OY KAMA FRITID AB  
 Koivuhaantie 2-4 B  
 01510 VANTAA  
 00358 20 792 0310  
 info@kamafritid.fi

**CADAC POLAND**

Kamai  
 Wola Batorska 461  
 32-007 Wola Batorska Poland  
 Tel: +48 12 635 1373  
 Email: handlowy@kamai.pl  
 www.kamai.pl

**CADAC ZAMBIA**

Exclusive Brands Africa Limited  
 7225A Kachidza Road  
 Light Industrial Area  
 Lusaka, Zambia  
 Tel: +260 211 842015  
 Tel: +260977 345034  
 Email: info@ebagr.com

**CADAC FRANCE**

Le Viallon, 42520 Veranne  
 France  
 Tel: +33 4 74 78 13 65  
 Email: info@cadaceurope.com  
 www.cadacinternational.com

**CADAC NEW ZEALAND**

Riverlea Group (Pty) Ltd  
 2A Maui Street, Pukete,  
 Hamilton 3200, New Zealand  
 Tel: +64 7 847 0204  
 Email: sales@riverleagroup.co.nz  
 www.riverleagroup.co.nz

**CADAC U.A.E.**

Supreme Impex General Trading  
 LLC Office No. 1801-7 Latifa  
 Tower Sheikh Zayed Road  
 Dubai, UAE

**CADAC ITALY**

Brunner SRL/GMBH  
 via Buozzi, 8  
 39100 Bolzano (Italy)  
 Tel: +39 0471 542900  
 Email: info@brunner.it  
 www.brunnerinternational.com

**CADAC SOUTH EAST EUROPE**

Bulevar oslobodjenja 285  
 Tel: +381 11 339 2700  
 Email: sinisaj@cadac.rs  
 www.cadac.rs